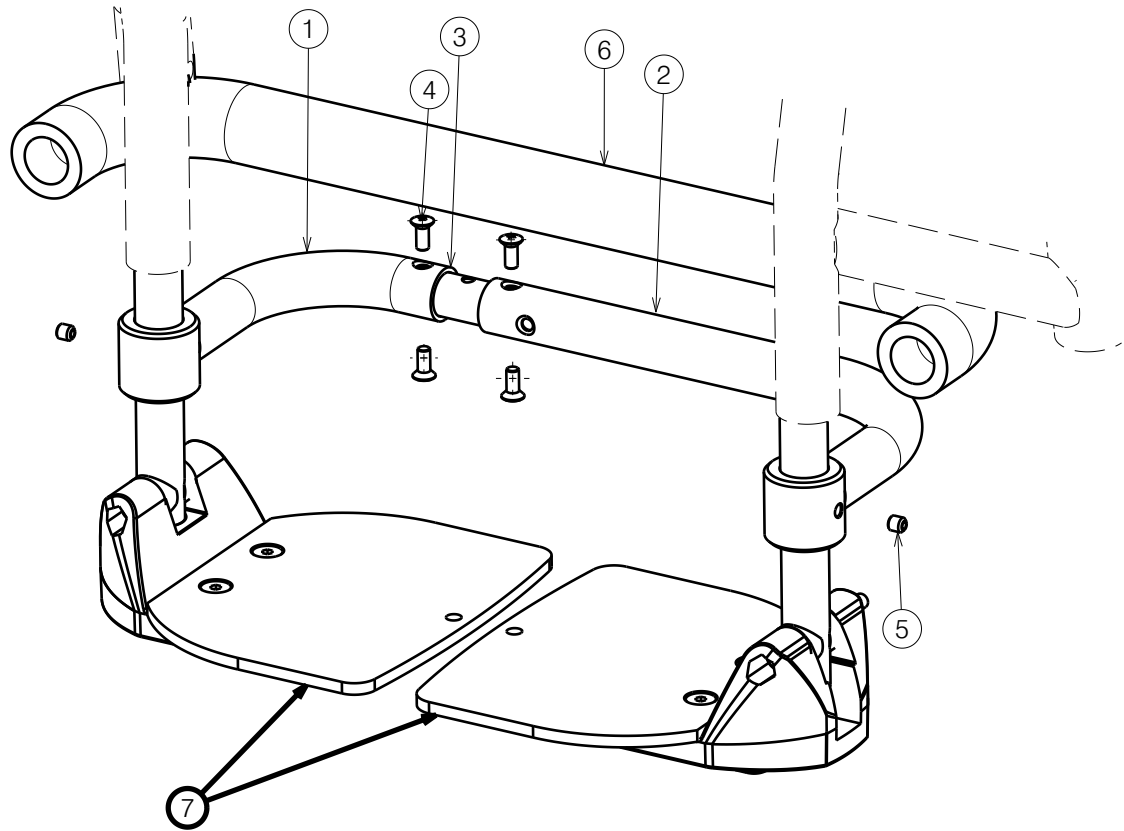



Material			
No.	Plan	Article	Quantity
1	YP02802	28162	1
2	YP02738	28097 (36-46)	1
	YP02737	28098 (24-32)	1
3	XP00720	GP00080	1
4	M5x12	2990933	4
5	M6x6	1998138	2
6	---	1991107	1
7	E00086765	---	2



EP00026 / F

STRENGHTENING FOOTREST SAGITTA				Plan No.
				EP00026/ F
Scale: 1:3	Drafted	Verified	Confirmed	
Date	10/02/2011	30/07/2024	30/07/2024	
Initials	RM	PM	AS	