

EP00134 / G

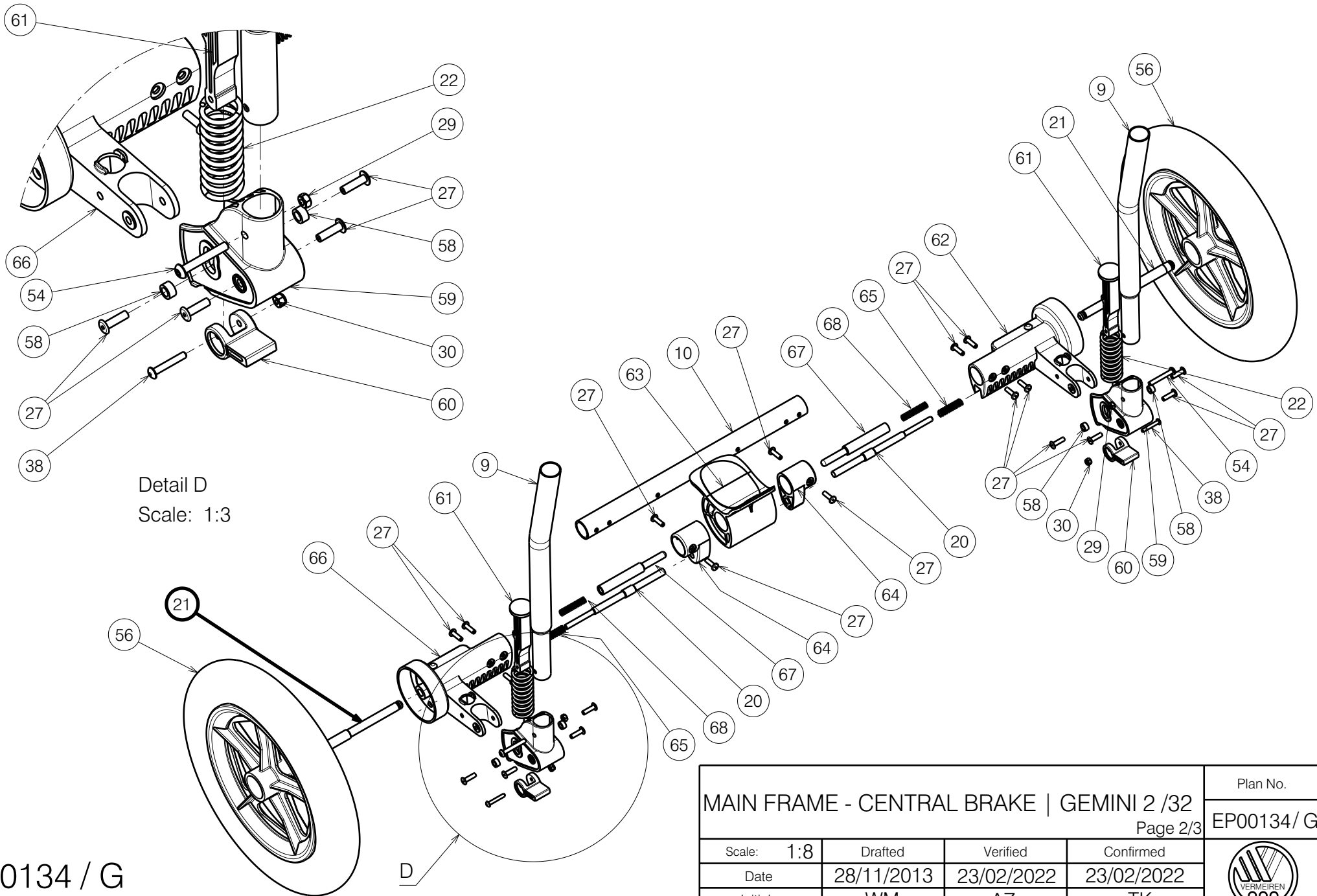
MAIN FRAME - CENTRAL BRAKE | GEMINI 2 /32

Page 1/3

Plan No.
EP00134/ G


Scale: 1:8	Drafted	Verified	Confirmed
Date	28/11/2013	23/02/2022	23/02/2022
Initials	WM	AZ	TK





Detail D
Scale: 1:3

EP00134 / G

MAIN FRAME - CENTRAL BRAKE GEMINI 2 /32				Plan No.
Page 2/3				EP00134 / G
Scale: 1:8	Drafted	Verified	Confirmed	
Date	28/11/2013	23/02/2022	23/02/2022	
Initials	WM	AZ	TK	

Material			
No.	Plan	Article	Quantity
1	YP00521	1816000	2
2	YP00423	18133	1
3	YP00456	18163	2
4	YP00457	18137	2
5	YP00458	18138	1
6	YP00492	1814800	2
7	YP00523	18161	1
8	YP02046	18919	2
9	YP04592	28826	1
10	YP04600	28835	1
11	X000586	1005742	2
12	X001016	1001682	2
13	X002506	15252	4
14	X002671	15520	2
15	X002679	1994452	2
16	X002698	15523	2
17	XP00138	18172	2
18	XP00146	18187	2
19	---	---	---
20	XP01121	2871300	2
21	XP01123	2871500	2
22	XP01125	2871600	2
23	D12.5XD6.4X1.6	1000973	28
24	M8x40 DIN912	1001500	2
25	D12XD6.4X1.2	1001564	4
26	---	1001572	2
27	4.8X17	1001586	20
28	---	1001608	2
29	M5	1001669	2
30	M4	1001678	2
31	M6	1001680	6
32	M6	1008492	6
33	D17XD6.4X3	1003321	4
34	M6X35	1006057	2
35	M6X40	1006111	4

Material			
No.	Plan	Article	Quantity
36	M6X20	1006999	6
37	M6X16	1008459	2
38	M4X25	1904067	2
39	---	1990507	2
40	---	1991447	2
41	M6X60	1992915	2
42	---	1993722	6
43	---	1996574	2
44	---	1996843	2
45	M8x75	1998993	2
46	4.8x22 DIN 7981	2990070	4
47	---	2990084	2
48	---	2990085	2
49	---	2990087	2
50	---	2990093	2
51	---	2990094	2
52	---	2990095	2
53	M6x20	2990113	2
54	---	2990115	2
55	---	---	---
56	---	2992093	2
57	---	2992094	2
58	---	2992114	4
59	YP04636	2992136	2
60	---	2992116	2
61	---	2992117	2
62	---	2992118	1
63	---	2992119	1
64	---	2992120	2
65	---	2992121	2
66	---	2992130	1
67	XP01126	2884200	2
68	---	2992140	2

EP00134 / G

MAIN FRAME - CENTRAL BRAKE GEMINI 2 /32				Plan No.
Page 3/3				EP00134 / G
Scale: 1:8	Drafted	Verified	Confirmed	
Date	28/11/2013	23/02/2022	23/02/2022	
Initials	WM	AZ	TK	