
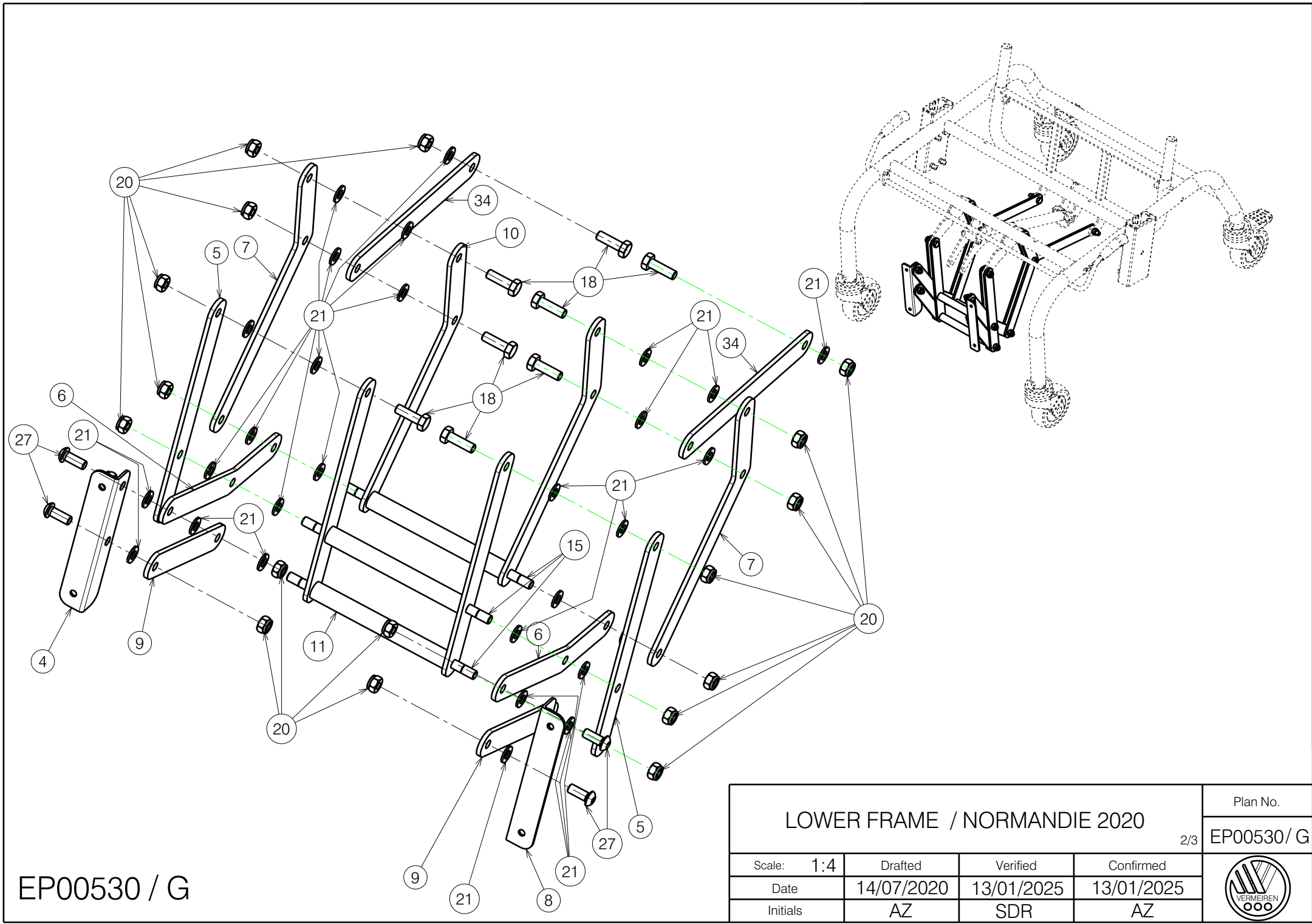


EP00530 / G

LOWER FRAME / NORMANDIE 2020				Plan No.
				1/3 EP00530/ G
Scale: 1:6	Drafted	Verified	Confirmed	
Date	14/07/2020	13/01/2025	13/01/2025	
Initials	AZ	SDR	AZ	



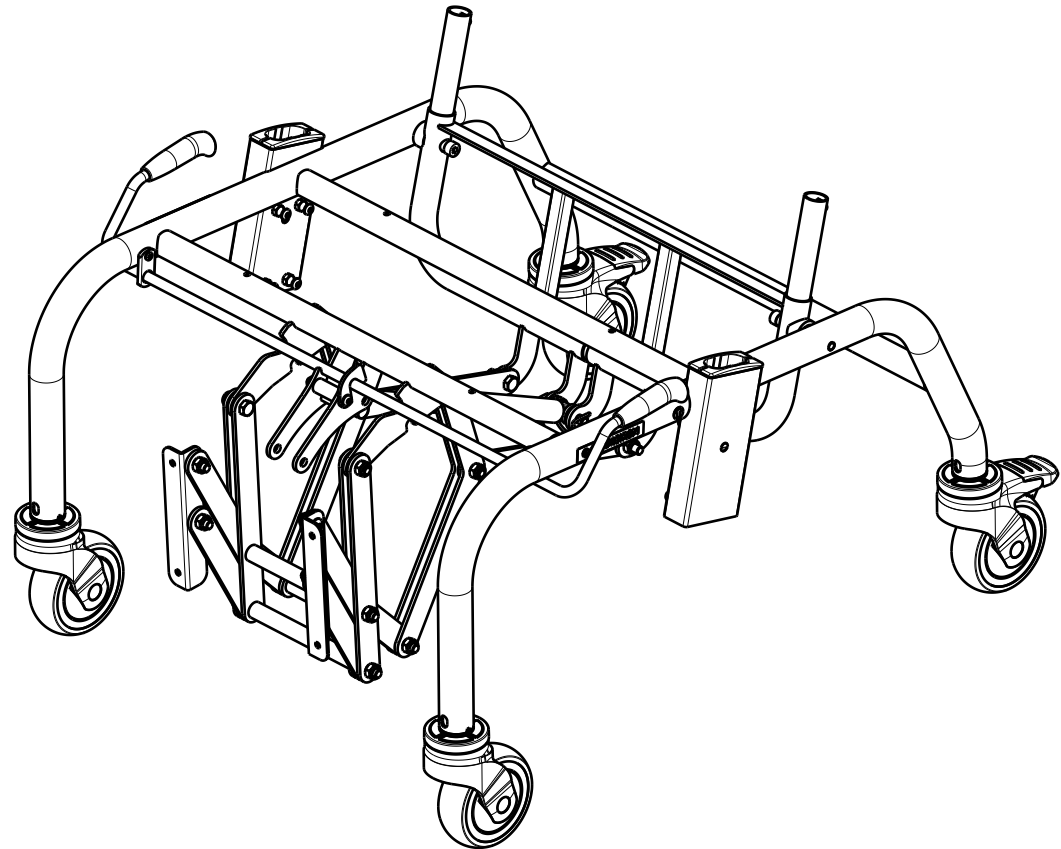
EP00530 / G

LOWER FRAME / NORMANDIE 2020				Plan No.
				EP00530 / G
Scale: 1:4	Drafted	Verified	Confirmed	
Date	14/07/2020	13/01/2025	13/01/2025	
Initials	AZ	SDR	AZ	



Material			
No.	Plan	Article	Quantity
1	Y012249	1667265	2
2	YP08803	2627965	1
3	YP08901	2629600	1
4	YP00412	1822565	1
5	YP00483	1822465	2
6	YP00491	1822365	2
7	YP00568	1822265	2
8	YP00592	1822665	1
9	YP00635	1822865	2
10	YP00715	1824965	1
11	YP00716	1825065	1
12*	YP08395 (Method 1)	2615265	1
	YP08896 (Method 2)	2629565	1
13	X000319	G080200	1
14	X001296	G065155	1
15	X001862	1447500	3
16	X004485 (Black)	1903994	2
17	X005930 (Black)	1916350	4
18	M8x25 DIN 933	1001442	8
19	M6 DIN 934	1001670	8
20	M8 DIN 985	1001682	18
21	D8,4 DIN 125	1003199	30
22	D100 (Black) No Brake	1921704	2
23	M6 DIN 985	1001680	1
24	M6x12	1007000	8
25	M8x16 DIN 912	1001498	2
26	D 100 (Black) Brake	1921705	2
27	M8x20	1992349	4
28	M6x50	1006997	1
29	D4x20	1991373	2
30	Gas spring 150N	1917602	1
31	---	---	---
32	Sticker Arrow	1903223	2
33	Sticker Vermeiren	T001051	2
34	YP05712	2722165	2
35	M10 DIN439B	1903216	1

Material			
No.	Plan	Article	Quantity
36	Y000462	F000050	2
37	YP08858DP	2629865	1
38	X000106	G003218	2
39	X000273	G060600	2
40	X002480	1993793	2
41	Pin D8X45	1993594	1
42	M8x60 DIN912	1997781	2



EP00530 / G

LOWER FRAME / NORMANDIE 2020				Plan No.
				3/3 EP00530 / G
Scale: 1:4	Drafted	Verified	Confirmed	
Date	14/07/2020	13/01/2025	13/01/2025	
Initials	AZ	SDR	AZ	