

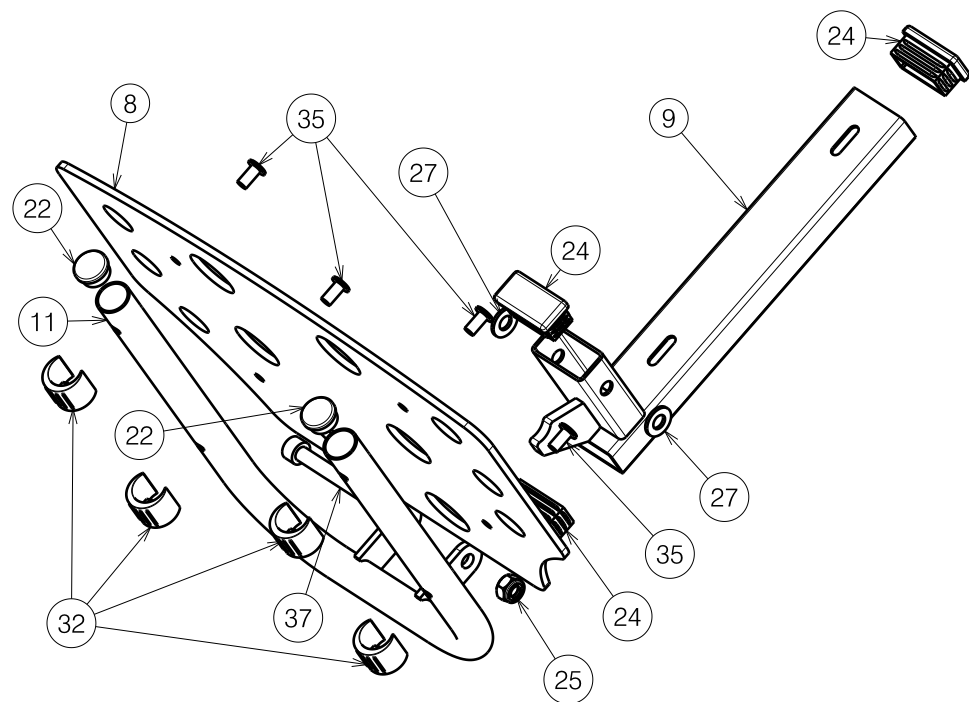
E000615/ B

LEG REST BZ10 EZ-1			Plan No. / Plannr.
BEENSTEUN BZ10 EZ-1			E000615/ B
Scale / Schaal: 1:4	Drafted / Getekend	Verified / Nagezien	Confirmed / Bevestigd
Date / Datum	31/03/2010	12/10/2015	12/10/2015
Init. / Init.	TM	SD	PJ



Material / Materiaal			
No. / Nr.	Plan	Article / Artikel	Quantity / Aantal
1	X001119	1001554	2
2	X003492	1900607	2
3	X003478	1998374	1
5	X003729	1638400 (40)	1
	X004375	1709600 (45)	1
	X004376	1710500 (50)	1
6	X003793	1900442	2
7	XP00106	2990072	2
8	Y005699	1599654	1
9	Y012109	1665300	1
10	Y012100	1665225 (40)	1
	Y014152	1710225 (45)	1
	Y014735	1710325 (50)	1
11	Y012110	1665425	1
12	Y013006	1689625	1
13	Y016773	1735625	2
14	Y013637	1710100	2
15	Y014503	1704925	1
16	Y014504	1697725	2
17	---	1401000	1
18	---	1903777 (40)	1
	---	1903779 (45)	1
	---	1903780 (50)	1
19	Y014413	1708500	1
20	Y014580	1708400	1
21	---	1001581	2
22	---	1001602	2
23	---	1001608	2
24	---	1001615	3
25	---	1001682	1
26	---	1003067	2
27	---	1003199	2
28	---	1005860	1
29	---	1005899	4
30	---	1008459	4
31	---	1901212	4
32	---	1902841	4
33	---	1901771	4
34	---	1992804	4
35	---	1992835	8
36	---	1991858	2
37	---	1997781	1
38	---	1001621	4
39	Y007782	1608125	1
40	---	1003791	1
41	---	1008090	2

Material / Materiaal			
No. / Nr.	Plan	Article / Artikel	Quantity / Aantal
42	Y016776	1735725	2
43	M10x30 DIN912	1001502	2



Lower part / Onderstuk

LEG REST BZ10 EZ-1				Plan No. / Plannr.
BEENSTEUN BZ10 EZ-1				
Scale / Schaal: 1:4	Drafted / Getekend	Verified / Nagezien	Confirmed / Bevestigd	E000615 / B
Date / Datum	31/03/2010	12/10/2015	12/10/2015	
Init. / Init.	TM	SD	PJ	

E000615 / B

