
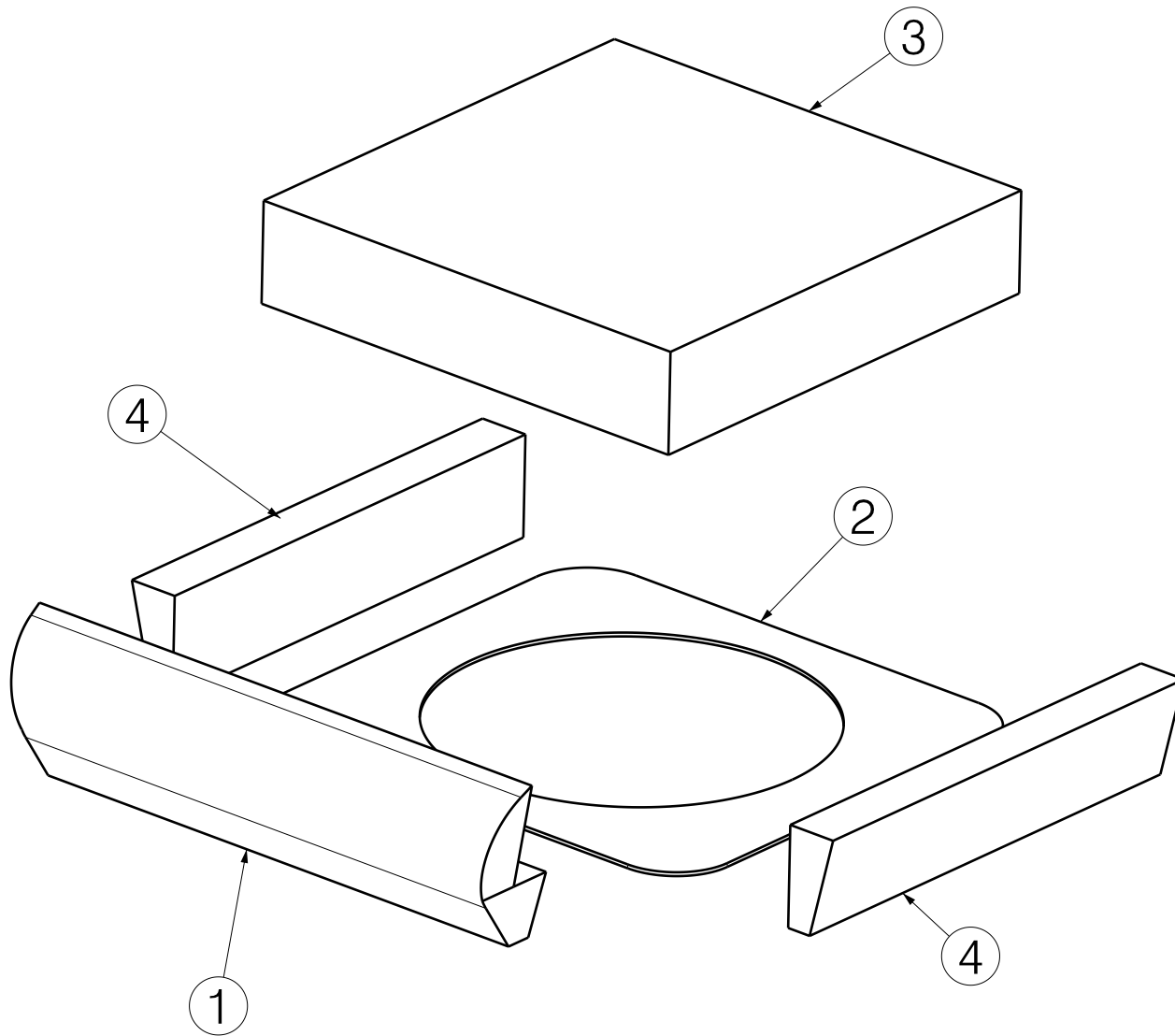


EP00115 / G


FOAMS EDEN 38/44/48				Plan No.
				EP00115 / G
Scale: 1:9	Drafted	Verified	Confirmed	
Date	17/05/2013	05/11/2019	05/11/2019	
Initials	AZ	AS	TK	



Material			
No.	Plan	Article	Quantity
1	XP01066	2992631 (38)	1
	XP01067	2992614 (44)	1
	XP01033	2992579 (48)	1
2	---	HP00197 (38)	1
	---	HP00199 (44)	1
	---	HP00199 (48)	1
3	---	2992580	1
4	---	2992610 (44)	1
	---	2992612 (48)	1
5	---	2992593	1
6	---	2992961	1
7	---	2992962(38)L	1
	---	2992963(44)L	1
	---	2992964(48)L	1
8	---	2992965(38)R	1
	---	2992966(44)R	1
	---	2992967(48)R	1

EP00115 / G

L - Left
R - Right

FOAMS EDEN 38/44/48			2/2	Plan No.
				EP00115/ G
Scale: 1:5	Drafted	Verified	Confirmed	
Date	17/05/2013	05/11/2019	05/11/2019	
Initials	AZ	AS	TK	