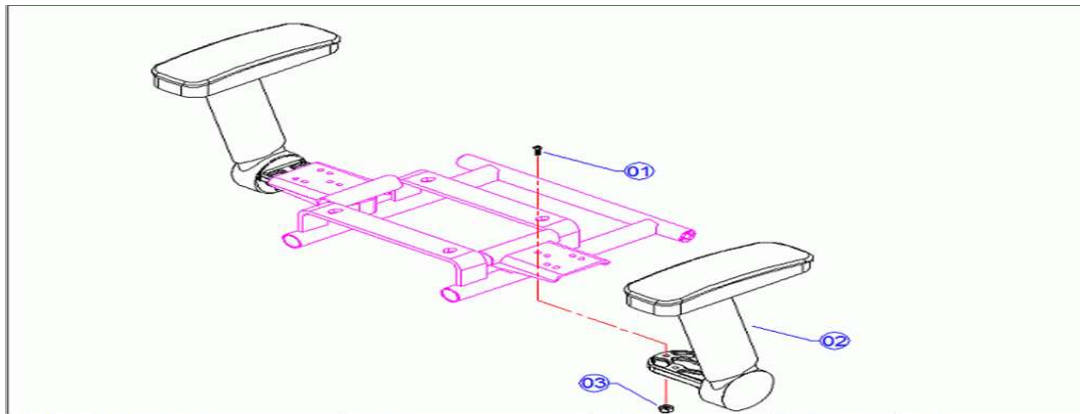


Battery pack complete

1	BATTERY CEL LITHIUM	1914105
2	MIDDLE PART HANDLE	1914107
3	FRONT PART HANDLE	1914109
4	SCREW M5	1914172
5	SCREW M3x10	1914173
6	NUT M3	1914174
7	CHARGING SOCKET	1913963
8	BATTERY BOX COVER	1914110
9	BATTERY BOX LOWER PART	1914111
10	SCREW M4x10	1914175
11	SCREW M3x13	1914176
12	BATTERY BOX LOCK	1914121
12	KEY FOR BATTERY BOX LOCK	1914825
15	LITHIUM CHARGER 2 AMP	1914124
16	CHARGER POWER CORD	1914125

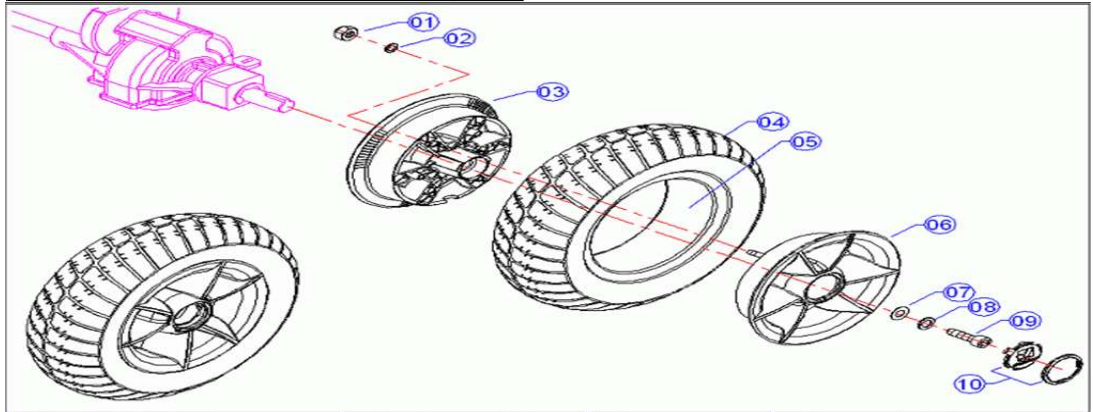
ARMREST SET



1	BOLT HEXAGONAL M6x20	1995308
2	ARMREST LEFT	1913937

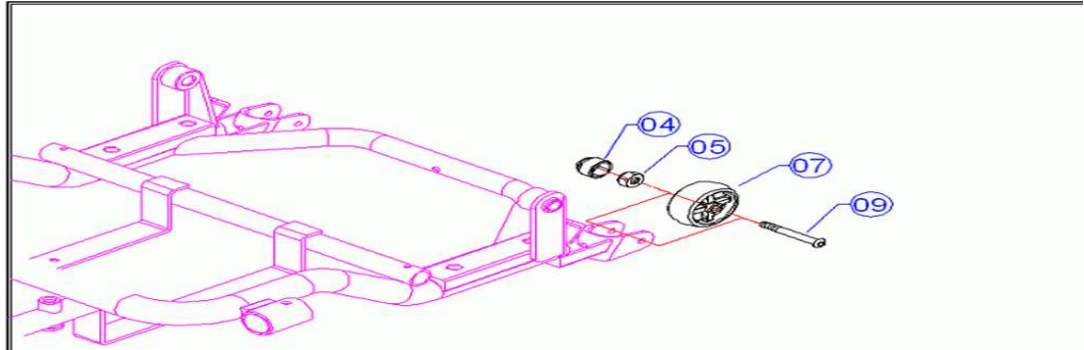
ARMREST RIGHT	1913938
3 NUT M6	2990533

REAR WHEEL COMPLETE 1914760

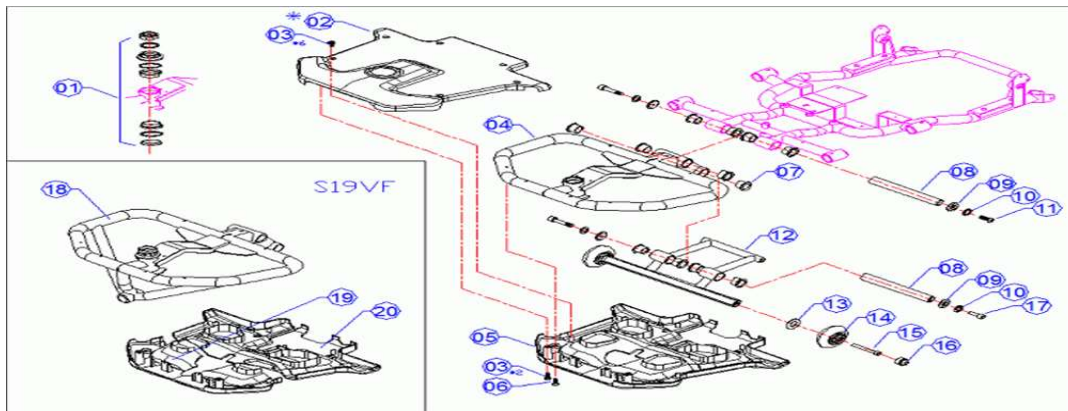


1 NUT M6 INOX	2990533
2 SPRING WASHER M6	1004414
3 INNER RIM	1913939
4 TIRE BLACK	1911594
5 INNER TIRE	1995114
6 OUTER RIM	1913940
7 WASHER	1913941
8 SPRING WASHER M6	1913942
9 SCREW M8x20	1913959
10 WHEEL CAP	1913960
11 AXLE KEY	1918922

ANTI TIPPING WHEEL



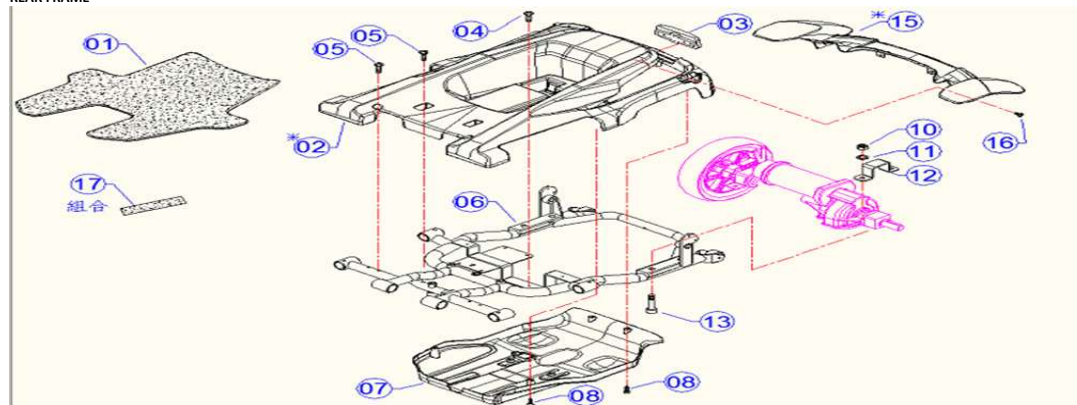
4 NYLON CAP M6	
5 NUT M6 INOX	1995312
7 ANTI TIPPING WHEEL	1915522
9 BOLT M6 x40 INOX	1995305



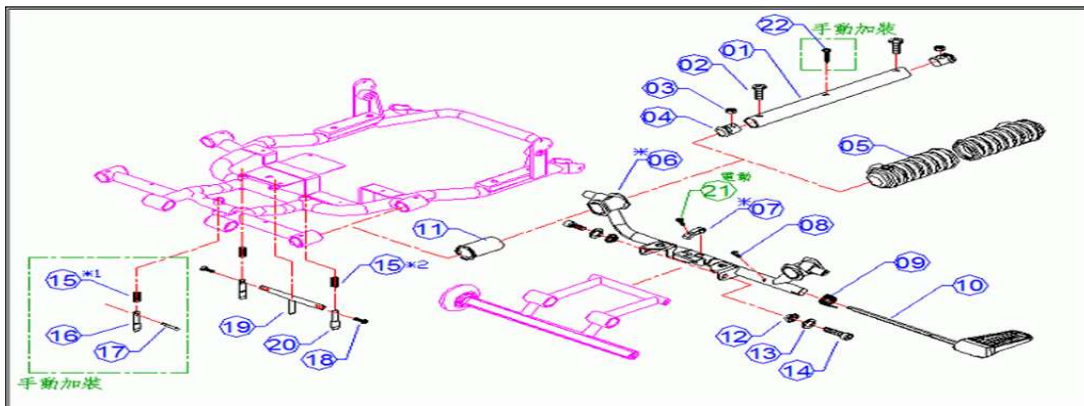
1	BEARING SET	1913961
2	FRONT FRAME TOP COVER BLUE	1913966
2	FRONT FRAME TOP COVER RED	1913967
5	FRONT FRAME LOWER COVER	1914122

12	Set transport wheels +support	1919572
13		
14		
15		
16		

REAR FRAME

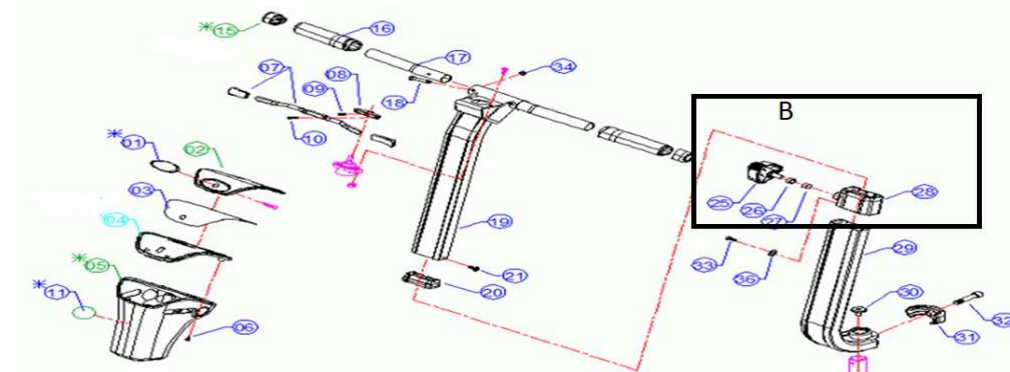


1	CARPET	1913962
2	REAR COVER BLUE	1914178
2	REAR COVER RED	1914179
6	REAR FRAME	1921824
7	UNDER BODY	1914148
15	REAR COVER + MUDGUARD	1914149



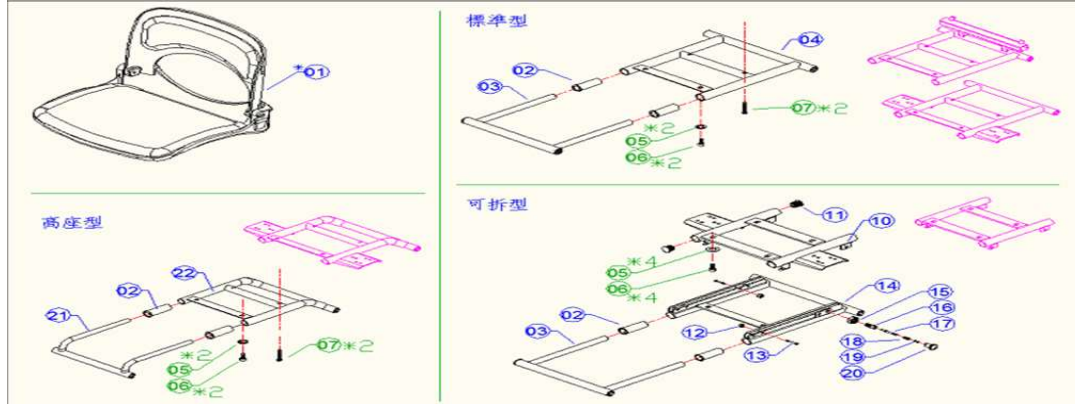
5	RUBBER DUST COVER	1914150
6	PEDAL AXEL	1914203
7	LOCKING PIN PEDAL	1914204
8	BOLT M4x10	1914205
9	SPRING PEDAL AXEL	1914206
10	PEDAL	1914127

HANDEL BARS

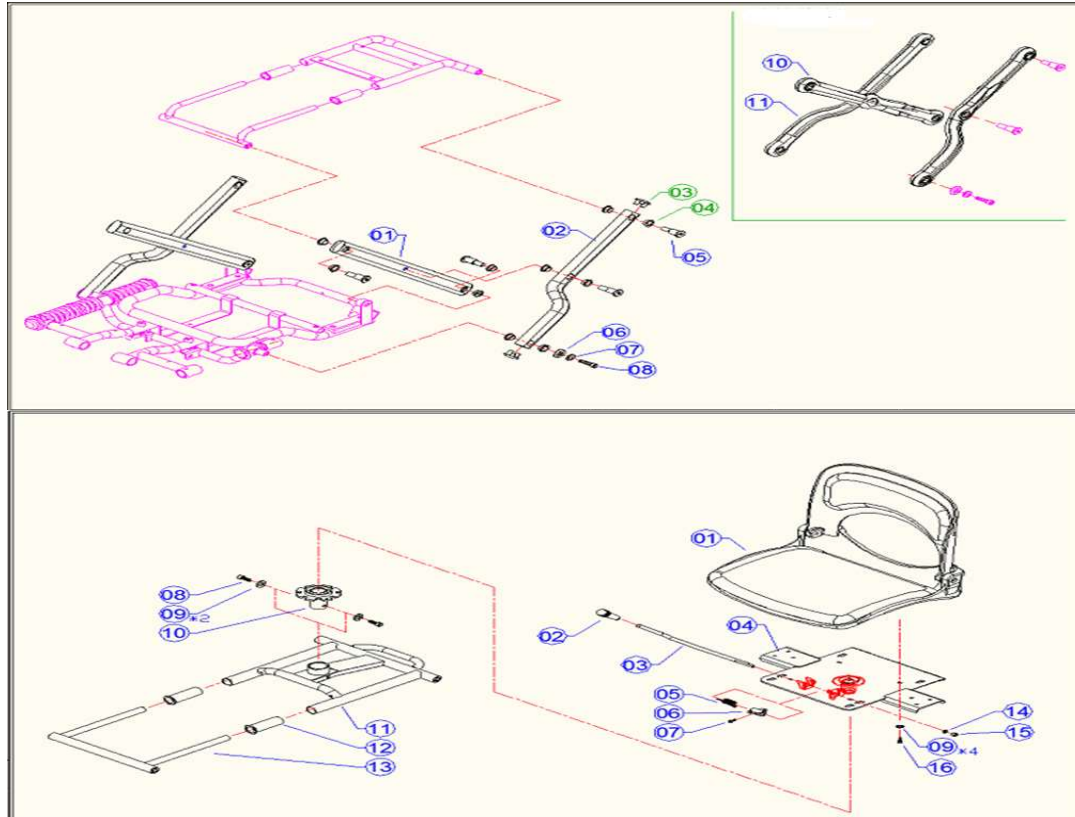


29	LOWER TUBE HANDLE BAR		1920041
B	SE*STUURVERST.KOMPLEET MET STERKNOP		1915968
5	HANDLE BAR COVER RED		1914858
5	HANDLE BAR COVER BLUE		1914857
7	SPEED LEVER		1914207
8	SPEED LEVER ATTACHEMENT		1914208
19	UPPER TUBE HANDLE BAR		1920888
20	HANDLE BAR TUBE CAP		1920889
21	SCREW 3X10		1920890
not depicted	COVVER KNOB		1915992
not depicted	SE*BOUT M4X6L		1920943
not depicted	RONDSEL Ø4XØ8X1T		1920944
27	BLOCKING WASHER		1918062

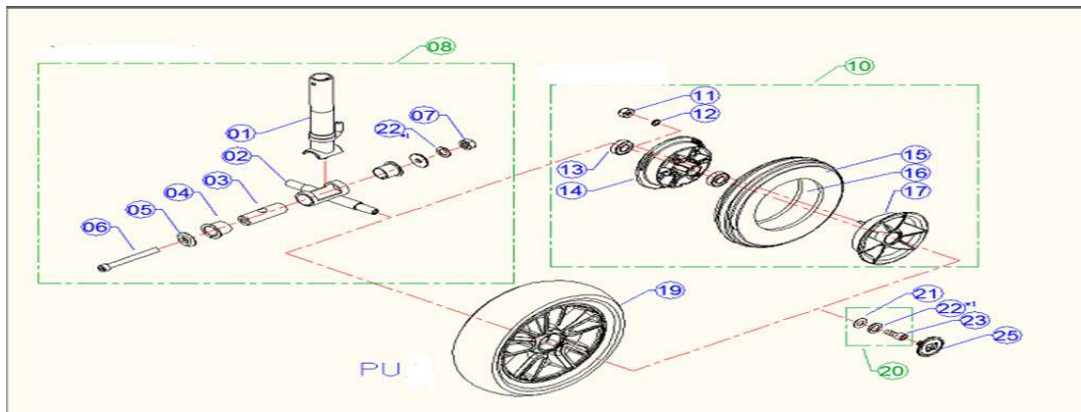
SEAT ASSEMBLY



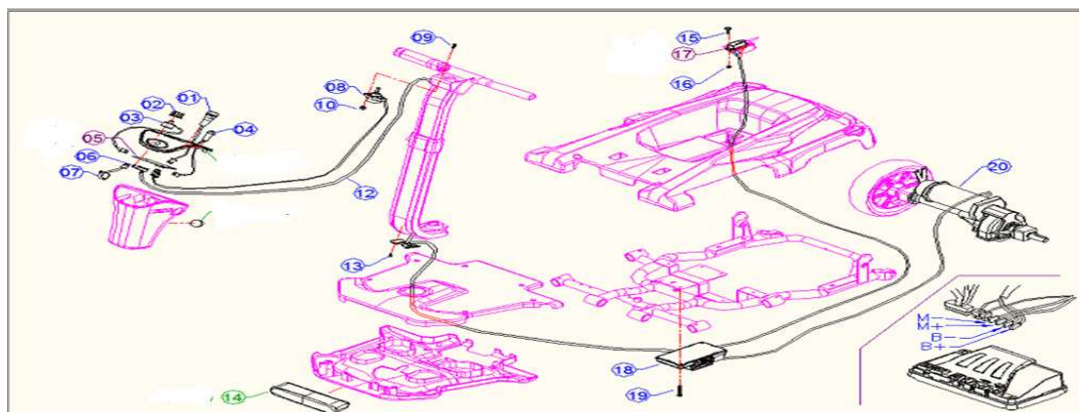
SEAT FOLDING SYSTEM



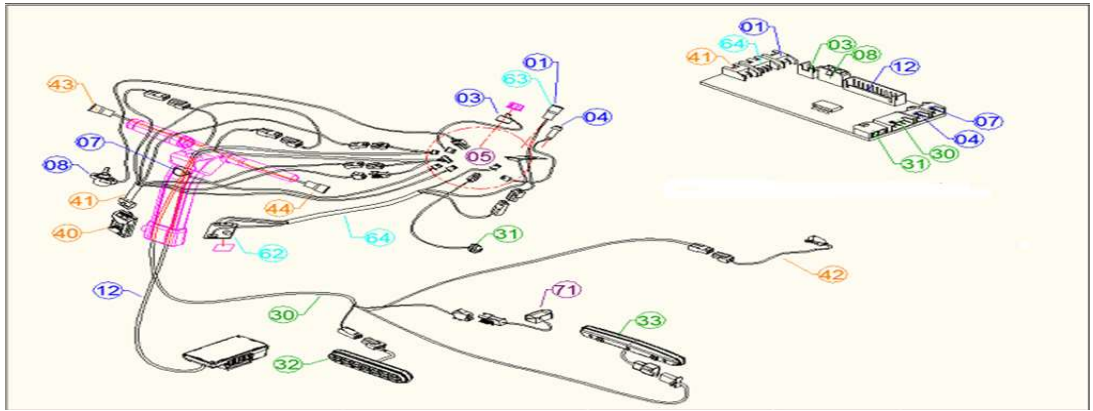
SWIVEL SEAT		
10 SEAT TUBE		1917958



FRONT AXLE COMPLETE			1919997
1 FRONT AXLE TUBE			1920033
2 FRONT TURNING AXLE			1914154
3 CENTER TUB			1914209
4 BEARING SHAFT			1914210
10 COMPLETE WHEEL			1915126
14 INNER RIM			1914155
16 INNER TUBE			1001263
17 OUTER RIM			1914156



1	LOCK	1914160
1	KEY	1914825
2	SPEED POT KNOB	1914213
3	SPEED POT	1914161
4	HORN	1914166
5	PCB TILLER	1914167
8	DRIVE POT	1914168
9	SCREW M4x15	1914211
10	NUT M4	1914212
18	CONTROLLER DYNAMIC	
20	MOTOR +BRAKE+ DIFF	1914255



12	MAIN CABLE			1914169
31	CABLE +LED			1914171