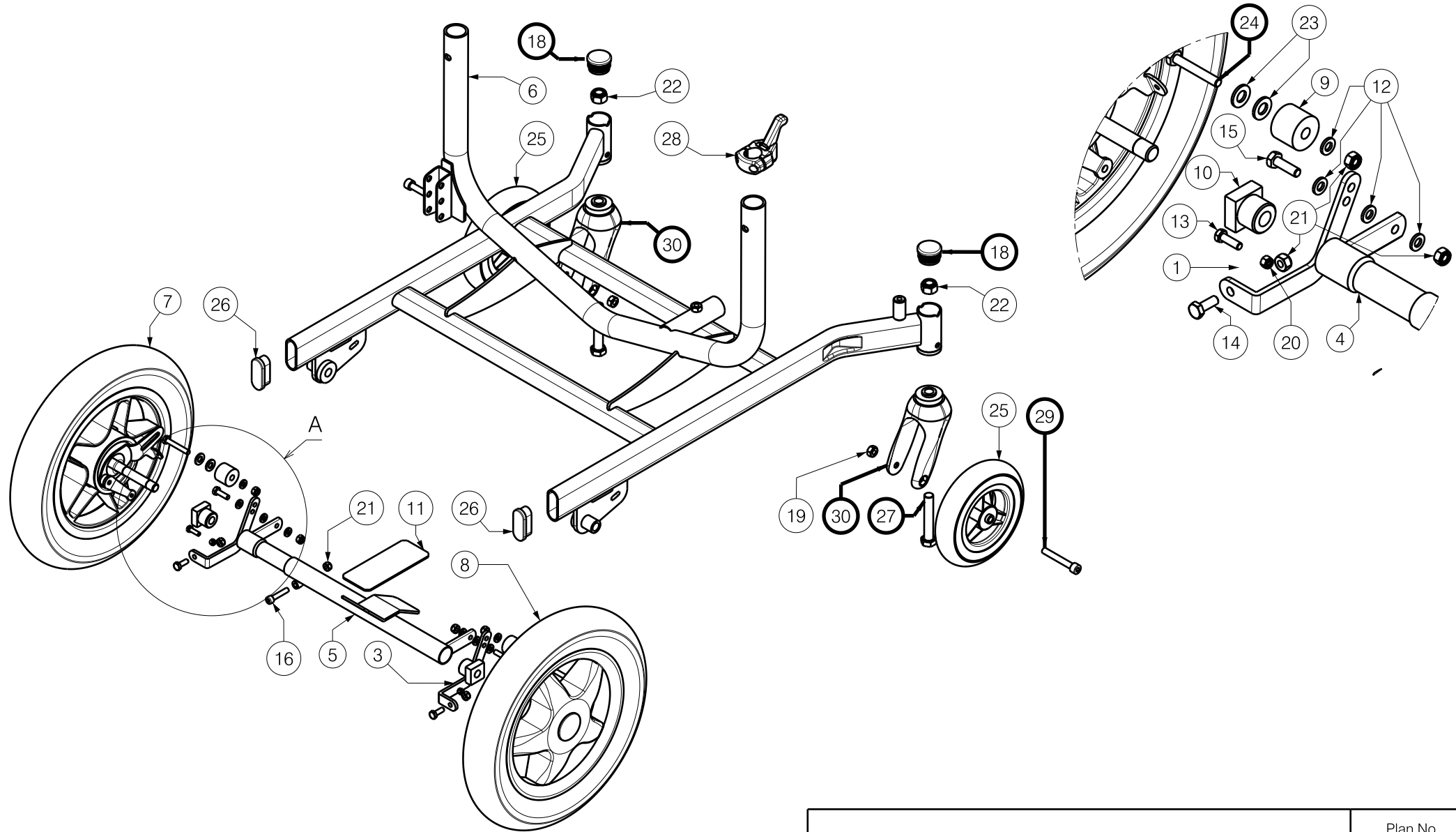


A (2:7)



EP00288 / C

Lower frame Coraille 2				Plan No. EP00288 / C
Scale: 1:7	Drafted	Verified	Confirmed	
Date	20/06/2018	08/04/2020	08/04/2020	
Initials	DB	DB	TK	

Material			
No.	Plan	Article	Quantity
1	Y003035	1440882	2
2	Y003129	1443282	1
3	Y003130	1443382	1
4	Y003726	1453482	1
5	Y003728	1453582	1
6	YP06342	2798582	1
7	Left Wheel 12"	1914620	1
8	Right Wheel 12"	1914619	1
9	X001515	1008628	2
10	X001765	G053200	2
11	X001888	1991260	1
12	M6 DIN125	1000973	8
13	M5x16 DIN933	1001425	2
14	M6x16 DIN 933	1001429	2
15	M6x20 DIN 933	1001430	2
16	M6x30 DIN912	1001495	1
17	---	---	---
18	Tube Cap D32	1001610	2
19	M8 DIN934	1001671	2
20	M4 DIN985	1001678	2
21	M6 DIN985	1001680	7
22	M12 DIN985	1001684	2
23	M8 DIN125	1003199	4
24	M6x40 DIN 933	1001434	2
25	Wheel 6"	1914612	2
26	Cap 48x20	1990980	2
27	M12x70 DIN931	1007518	2
28	Brake Handle	1997798	1
29	M8x55 DIN912	1009927	2
30	Small Fork	1008643	2

Lower frame Coraille 2			Plan No. EP00288/ C
Scale: 1:7	Drafted	Verified	Confirmed
Date	20/06/2018	08/04/2020	08/04/2020
Initials	DB	DB	TK



EP00288 / C