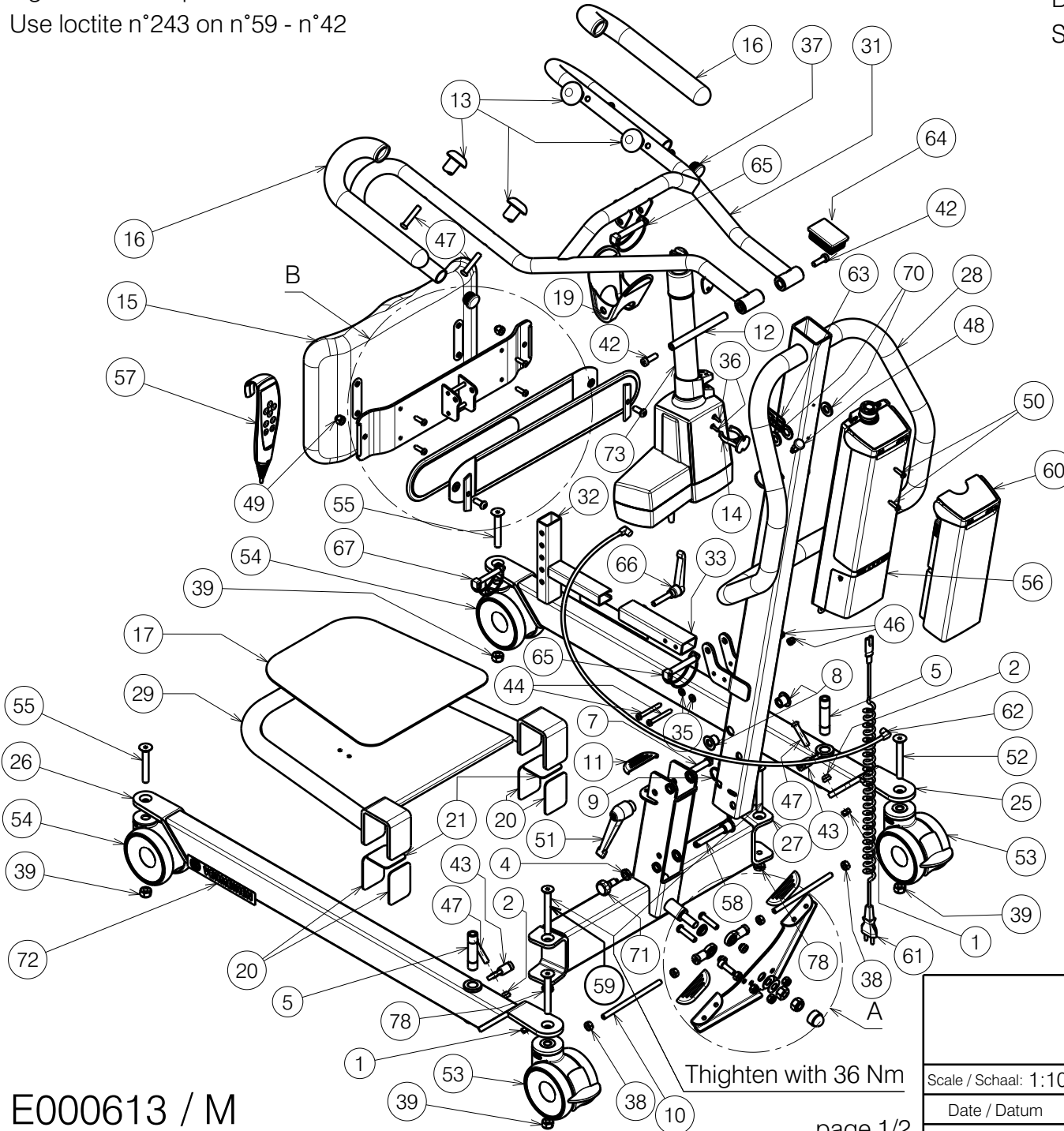


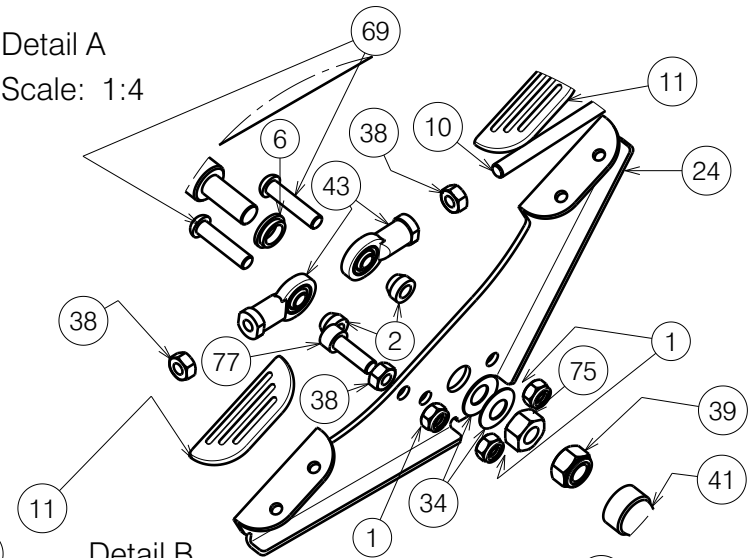
Tighten with torque wrench W600135 / 25 Nm: n°75 - n°39

Use loctite n°243 on n°59 - n°42

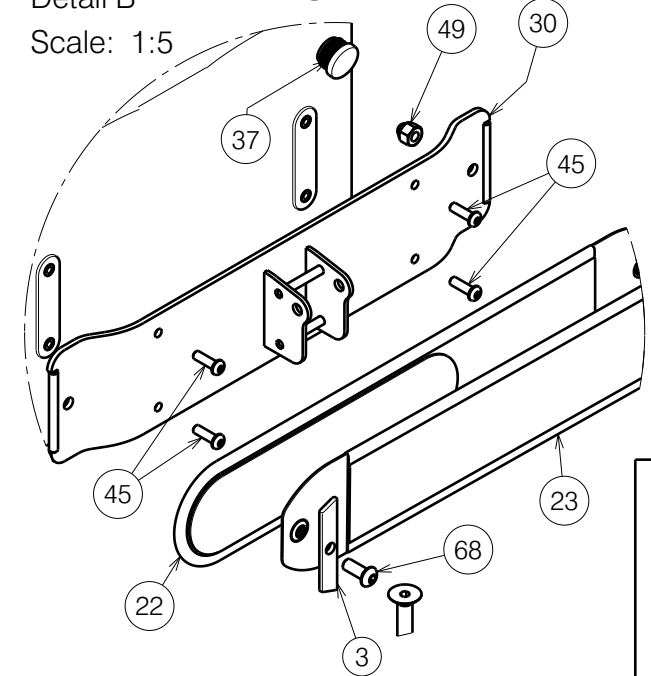


Tighten with 36 Nm

Detail A
Scale: 1:4



Detail B
Scale: 1:5



E000613 / M

page 1/2

ALBATROS

Plan No. / Plannr.

E000613 / M

Scale / Schaal: 1:10	Drafted / Getekend	Verified / Nagezien	Confirmed / Bevestigd
Date / Datum	05/11/2010	22/04/2024	22/04/2024
Init. / Init.	TM	TT	PJ



8001793

Material / Materiaal			
No.	Plan	Article	Quantity
1	X001016	1001682	5
2	P00074772	2098400	4
3	Y017221	1743454	2
4	X001398	1009689	1
5	P00078139	G105000	2
6	X004288	1903587	1
7	X004338	1708700	1
8	X004341	1708800	2
9	X004353	1903588	1
10	P00075688	2098500	2
11	X004580	1904798	3
12	X004603	1734700	1
13	X004605	1905610	4
14	X004611	1904945	1
15	X004630	1905252	1
16	X004646	1905324	2
17	X004647	1905718	1
19	X004683	1905763	1
20	X004704	1905720	4
21	X004705	1905721	2
22	X004717	1905722	1
23	X004718	1905723	1
24	P00074771	2098354	1
25	Y014535	17067..	1
26	Y014536	17068..	1
27	Y014537	17069..	1
28	P00039617	20828..	1
29	Y016061	17352..	1
30	Y016137	17326..	1

Material / Materiaal			
No.	Plan	Article	Quantity
31	Y016174	17323..	1
32	Y016385	17325..	1
33	Y016465	17353..	1
34	---	1993500	2
35	---	1001564	2
36	---	1001584	2
37	---	1001608	2
38	---	1001671	5
39	---	1001683	4
40	---	1001684	1
41	---	1003294	1
42	---	1003944	2
43	---	1006835	4
44	---	1006997	2
45	---	1006999	4
46	---	1008492	2
47	---	1008739	6
48	---	1009583	1
49	---	1902024	2
50	M5x20	1998368	2
51	---	1903086	1
52	---	1905617	2
53	---	1903402	2
54	---	1903403	2
55	---	1903406	2
56	CAL40	1918030	1
57	---	1906138	1
58	---	1903578	1
59	M10x90 DIN7991	1921197	2
60	BAL40	1918029	1

Material / Materiaal			
No.	Plan	Article	Quantity
61	---	1906233	1
62	---	1918032	1
63	---	1904556	1
64	---	1905096	1
65	---	1905365	2
66	---	1905369	1
67	---	1905609	1
68	---	1992349	2
69	---	1993236	2
70	---	1993362	2
71	---	1999935	1
72	7.5 kN	T001052	2
73	---	1918033	1
75	---	1001673	1
76*	---	1918034	1
77	M8x25	1001499	1
78	M10 DIN439B	1903216	2

* Not depicted - Optional ext. charger

8001793

E000613 / M

ALBATROS				Plan No. / Plannr.
				E000613 / M
Scale / Schaal: 1:10	Drafted / Getekend	Verified / Nagezien	Confirmed / Bevestigd	
Date / Datum	05/11/2010	22/04/2024	22/04/2024	
Init. / Init.	TM	TT	PJ	