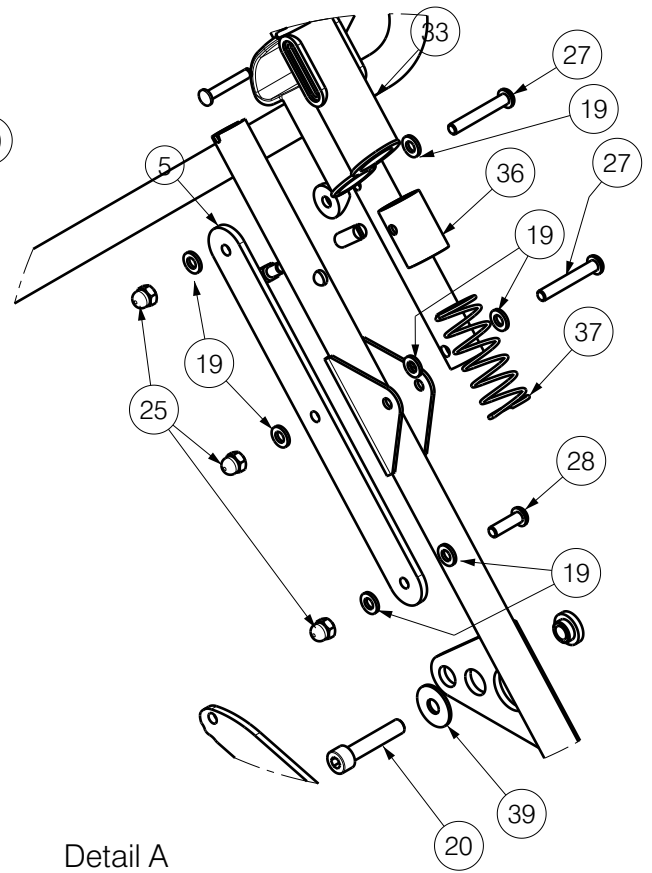


Detail B
Scale: 1:4



Detail A
Scale: 1:4

EP00525 / E


MAIN FRAME GEMINI 2020 32				Plan No.
				EP00525/ E
Scale: 1:8	Drafted	Verified	Confirmed	
Date	14/01/2021	09/11/2021	09/11/2021	
Initials	DB	OY	TK	

Material			
No.	Plan	Article	Quantity
1	YP08602	2622554	2
2	XP03114	GP24500	2
3	YP08313	2613354	1
4	YP08318	2613454	1
5	YP08320	2613554	2
6	YP08321	2613654	2
7	YP08399	2615354	1
8	XP03165	1996806	1
9	XP00138	1817200	2
10	XP00146	1818700	2
11	XP03131	1917241	2
	XP03199	1917465	2
12	X000586	1005742	2
13	X002506	1525200	4
14	X002671	1552000	2
15	X002679	1994452	2
16	X002698	1552300	2
17	X005003	3990495	2
18	M8 DIN 985	2994009	4
19	M6 DIN 125 PVC	2994415	26
20	M8x40 DIN 912	2994915	2
21	M6 DIN 125	2994414	4
22	DIN127 M12	1001572	2
23	Tube Cap D25	1001608	2
24	M6 DIN 985	2994063	4
25	M6 DIN 986	2994059	8
26	M6x35 ISO 7380	2994131	2
27	M6x40 ISO 7380	2994066	6
28	M6x20 ISO 7380	2994010	6
29	M12x45 DIN 931	2994917	2
30	M8x45 ISO 7380	1915945	1
31	D4 DIN 6799	1993722	6
32	D4.8x22 DIN 7981	2994918	4
33	---	2990084	2

Material			
No.	Plan	Article	Quantity
34	---	2990085	2
35	XP03168	2996677	1
36	---	2990093	2
37	---	2990094	2
38	Tube Cap D20	2990095	2
39	M8 DIN 9021	2994911	2
40	M8x75 DIN 7984	2994912	2
41	M8x50 ISO 7380	2994913	1
42	XP03167	2996676	1
43	M8 DIN 125	2994914	4
44	XP03164	2996749	1
45	---	1003282	1
46	---	1906368	1
47	M6x50 ISO 7380	2994965	2
48	XP03139	GP00288	4
49	---	---	-

Set 2990084			
No.	Plan	Article	Quantity
33	---	2990084	1
36	---	2990093	1
37	---	2990094	1

EP00525 / E

MAIN FRAME GEMINI 2020 32				Plan No.
				EP00525/ E
Scale: 1:8	Drafted	Verified	Confirmed	
Date	14/01/2021	09/11/2021	09/11/2021	
Initials	DB	OY	TK	