

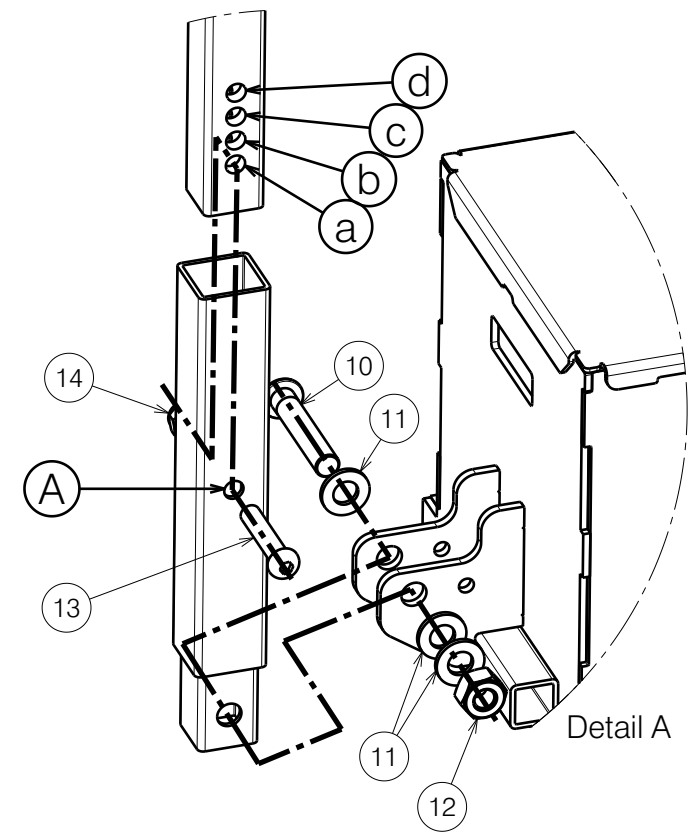
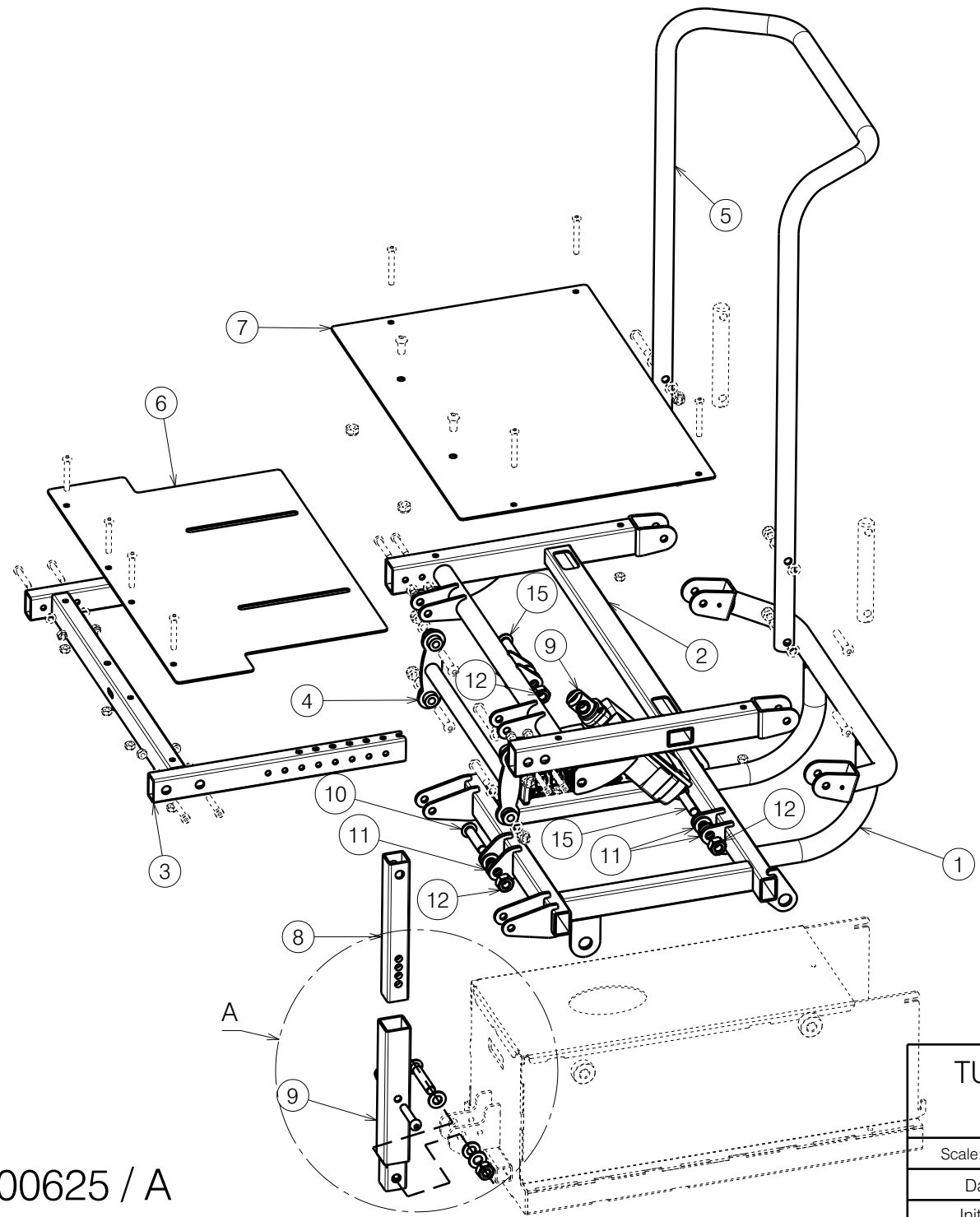
Seat adjustment angles:

A-a = 0deg

A-b = 2deg

A-c = 4deg

A-d = 6 deg



EP00625 / A

Sheet 1/2

TURIOS MANUAL ADJUSTABLE SEAT SE30
AND ELECTRIC BACKREST SE41

Plan No.
EP00625 / A


Scale:	1:7	Drafted	Verified	Confirmed
Date	27/10/2021	27/10/2021	27/10/2021	27/10/2021
Initials	MK	PM	AS	



Material			
No.	Plan	Article	Quantity
1	YP07411 (S)	2776954	1
	YP07412 (M)	2777054	1
	YP07413 (L)	2777154	1
2	YP07414 (S)	2777254	1
	YP07415 (M)	2777354	1
	YP07416 (L)	2777454	1
3	YP07417 (S)	2777554	1
	YP07418 (M)	2777654	1
	YP07419 (L)	2777754	1
4	YP07421	2777954	1
5	YP07682 (S)	2600854	1
	YP07683 (M)	2600954	1
	YP07684 (L)	2601054	1
6	YP07706 (S)	2779754	1
	YP07707 (M)	2779854	1
	YP07708 (L)	2779954	1
7	YP07709 (S)	2780054	1
	YP07710 (M)	2780154	1
	YP07711 (L)	2780254	1
8	YP07736	27817	1
9	YP09294	26433	1
10	M10x55	1998518	2
11	WASHER M10	1001558	10
12	NUT M10	1991858	4
13	M8x40	1008739	1
14	NUT M8	1001632	2
15	M10x45	1908848	2

Sheet 2/2

EP00625 / A

TURIOS MANUAL ADJUSTABLE SEAT SE30 AND ELECTRIC BACKREST SE41				Plan No.
				EP00625 / A
Scale: 1:7	Drafted	Verified	Confirmed	
Date	27/10/2021	27/10/2021	27/10/2021	
Initials	MK	PM	AS	