

VERMEIREN

EZ1

INSTRUCTION MANUAL
MODE D'EMPLOI
GEBRUIKSAANWIJZING
GEBRAUCHSANWEISUNG
ISTRUZIONI PER L'USO
MANUAL DE INSTRUCCIONES



EN

Instructions for specialist dealer

This instruction manual is part and parcel of the product and must accompany every product sold.

Version: D, 2012-12

FR

Instructions pour les distributeurs

Ce manuel d'instructions fait partie du produit et doit accompagner chaque produit vendu.

Version : D, 2012-12

NL

Instructies voor de vakhandelaar

Deze handleiding is deel van het product en dient bij iedere product te worden geleverd.

Versie: D, 2012-12

DE

Hinweise für den Fachhändler

Diese Gebrauchsanweisung ist Bestand-teil des Produkts und ist bei jeder Produkts auszuhändigen.

Version: D, 2012-02

IT

Istruzioni per il rivenditore

Il presente Manuale di istruzioni è parte integrante del prodotto e deve essere fornito assieme alla prodotto.

Versione: D, 2012-12

ES

Instrucciones destinadas a los distribuidores especializados

El presente manual de instrucciones es parte integrante del producto y se debe adjuntar a todas las producto que se vendan.

Versión: D, 2012-12

All rights reserved, including translation.

No part of this manual may be reproduced in any form what so ever (print, photocopy, microfilm or any other process) without written permission of the publisher, or processed, duplicated or distributed by using electronic systems.

Tous droits réservés, y compris la traduction.

Aucune partie de ce manuel ne peut être reproduite, sous quelque forme que ce soit (imprimée, photocopie, microfilm ou tout autre procédé) sans l'autorisation écrite du publicateur, ni traitée, dupliquée ou distribuée à l'aide de systèmes électroniques.

Alle rechten, inclusief vertaling, voorbehouden.

Niets uit deze handleiding mag geheel of gedeeltelijk in enige vorm (druk, fotokopie, microfilm of ieder ander procedé) zonder de schriftelijke toelating van de uitgever worden gereproduceerd of met behulp van elektronische systemen worden verwerkt, gekopieerd of verspreid.

Alle Rechte, auch an der Übersetzung, vorbehalten.

Kein Teil der Gebrauchsanweisung darf in irgendeiner Form (Druck, Fotokopie, Mikrofilm oder einem anderen Verfahren) ohne schriftliche Genehmigung des Herausgebers reproduziert oder unter Verwendung elektronischer Systeme verarbeitet, vervielfältigt oder verbreitet werden.

Tutti i diritti riservati (anche sulla traduzione).

Il presente manuale non può essere riprodotto, neppure parzialmente, con alcun mezzo (stampa, fotocopia, microfilm o altro procedimento) senza l'autorizzazione scritta della casa produttrice, né elaborato, duplicato o distribuito con l'ausilio di sistemi elettronici.

Todos los derechos reservados, incluidos los de la traducción.

Se prohíbe la reproducción total o parcial del presente manual de cualquier forma (impresión, fotocopia, microfilm o cualquier otro procedimiento), así como la edición, copia o distribución empleando sistemas electrónicos, sin el permiso escrito del editor.



Contents

Preface	2
1 Productdescription	3
1.1 Intended Use	3
1.2 Technical specifications	4
1.3 Drawing	5
1.4 Accessories	5
1.5 Explanation of symbols	5
1.6 Safety rules	6
2 Use	6
2.1 Carrying the wheelchair	7
2.2 Mounting the rear wheels	7
2.3 Mounting or removing of the footrests	7
2.4 Operating the brakes	7
2.5 Mounting or removing of armrests	8
2.6 Mounting or removing of seat cushion	8
2.7 Mounting or removing of backrest	8
2.8 Mounting or removing of headrest	9
2.9 Adjusting the pushing handgrips	9
2.10 Backrest adjusting / Seat inclination	10
2.11 Transfer in and out the wheelchair	11
2.12 Correct position in the wheelchair	11
2.13 Riding the wheelchair	11
2.14 Riding the wheelchair by an attendant	11
2.15 Moving on slopes	11
2.16 Negotiating steps or curbs	12
2.17 Taking off the wheels	13
2.18 Transport in the car	13
3 Installation and adjustment	14
3.1 Tools	14
3.2 Manner of delivery	14
3.3 Mounting the frame	15
3.4 Adjusting the seat height	15
3.5 Adjusting the seat depth	16
3.6 Adjusting the anti-tipping	17
3.7 Adjust the brakes	17
3.8 Adjusting of the footrests	18
3.9 Adjusting of the armpads	19
3.10 Adjusting of the headrest	20
4 Maintenance	20



Preface

First of all we want to thank you for putting your trust in us by selecting one of our wheelchairs.

The Vermeiren wheelchairs are the result of many years of research and experience. During the development, special attention was given to the ease of use and the serviceability of the wheelchair.

The expected lifetime of your wheelchair is strongly influenced by the care and maintenance of the wheelchair.

This manual will help you get acquainted with the operation of your wheelchair.

Following the user instructions and the maintenance instructions are an essential part of the warranty.

This manual reflects the latest product developments. Vermeiren has the right to introduce changes without the obligation to adapt or replace previously delivered models.

For any further questions, please consult your specialist dealer.

1 Productdescription

1.1 *Intended Use*

The wheelchair is intended for people with walking difficulties or no walking abilities.

The wheelchair is designed to transport 1 person.

The wheelchair is suited for indoor and limited outdoor use.

The user can propel the wheelchair by himself or have the wheelchair pushed by an attendant.

The different types of fittings and accessories, and the modular construction allow full use by persons disabled by:

- paralysis
- loss of limbs (leg amputation)
- limb defects or deformations
- stiff or damaged joints
- heart insufficiencies and poor blood circulation
- balance disturbances
- cachexia (decrease in muscle)
- and also for aged persons.

When providing for individual requirements:

- body size and weight (max. 150 kg)
- physical and psychological condition
- residential circumstances
- environment

should be taken into consideration.

Your wheelchair should only be used on surfaces where all four wheels are touching the ground and where there is sufficient contact to propel the wheels equally.

You should practice for use on uneven surfaces (cobblestones, etc.), slopes, curves and to get past obstacles (curbs, etc.).

The wheelchair should not be used as a ladder, nor is it a transport for heavy or hot objects.

When used on mats, carpeted floors or loose floor coverings, the floor covering can get damaged.

Use only Vermeiren approved accessories.

The manufacturer is not liable for damage caused by the lack of or improper service or as a result of not following instructions from this manual.

Compliance with the user and maintenance instructions are an essential part of the guarantee conditions.

Visually impaired people can contact the dealer for the instructions for use.



1.2 Technical specifications

Technical terms below are valid for the wheelchair in standard settings and for 22" rear wheels. If other footrests / armrests or other accessories are used, the tabulated values will change.

Make	Vermeiren							
Address	Vermeirenplein 1/15, B-2920 Kalmthout							
Type	Multifunctional manual wheelchair							
Model	EZ1							
Maximum occupant mass	150 kg							
Description	Dimensions							
Effective seat width	390 mm	420 mm	450 mm	480 mm	510 mm	540 mm	570 mm	
Overall width (depends on the seat width)	600 mm	630 mm	660 mm	690 mm	720 mm	750 mm	780 mm	
Backrest height	500 mm 600 mm	600 mm	500 mm 600 mm	600 mm	500 mm 600 mm	600 mm		
Description	Dimensions Min.			Dimensions Max.				
Overall length with footrest	1116 mm			1122 mm				
Folded length	790 mm							
Folded width	700 mm							
Folded height	980 mm							
Total mass	± 43,45 kg							
Mass of heaviest part	23,80 kg							
Masses of parts that can be dismantled or removed	Footrests: 6,20 kg ; Armrests: 3,00 kg; Rear wheels: 4,15 kg; Seat cushion: 1,5 kg; Headrest: 1,35 kg							
Static stability downhill	10° (in standard configuration)							
Static stability uphill	10° (in standard configuration)							
Static stability sideways	10° (in standard configuration)							
Obstacle climbing	60 mm							
Seat plane angle	-5°			+15°				
Effective seat depth	430 mm			520 mm				
Seat surface height at front edge (with cushion)	490 mm			620 mm				
Seat cushion	80 mm							
Backrest angle	0°			50°				
Distance between footplate and seat	440 mm			580 mm				
Angle between seat and footplate	-3°			10°				
Distance between armpad and seat	190 mm			290 mm				
Front location of armrest structure	380 mm			430 mm				
Handrim diameter	495 mm							
Horizontal location of axle (deflection)	140 mm			170 mm				
Minimum turning radius	1133 mm							
Diameter PU Rear wheels	12,5" (T30)		22"		24"			
Tyre pressure, rear (driving) wheels (for air tyres)	Not applicable							
Diameter PU steering wheels	200 x 50 (8")							
Tyre pressure, steering wheels (for air tyres)	Not applicable							
Frame color / upholstery	C21 Dark red metallic / Soft Grey							
Storage and use temperature	+ 5 °C			+ 41 °C				
Storage and use humidity	30%			70%				
We reserve the right to introduce technical changes. Measurement tolerance ± 15 mm / 1,5 kg / °								

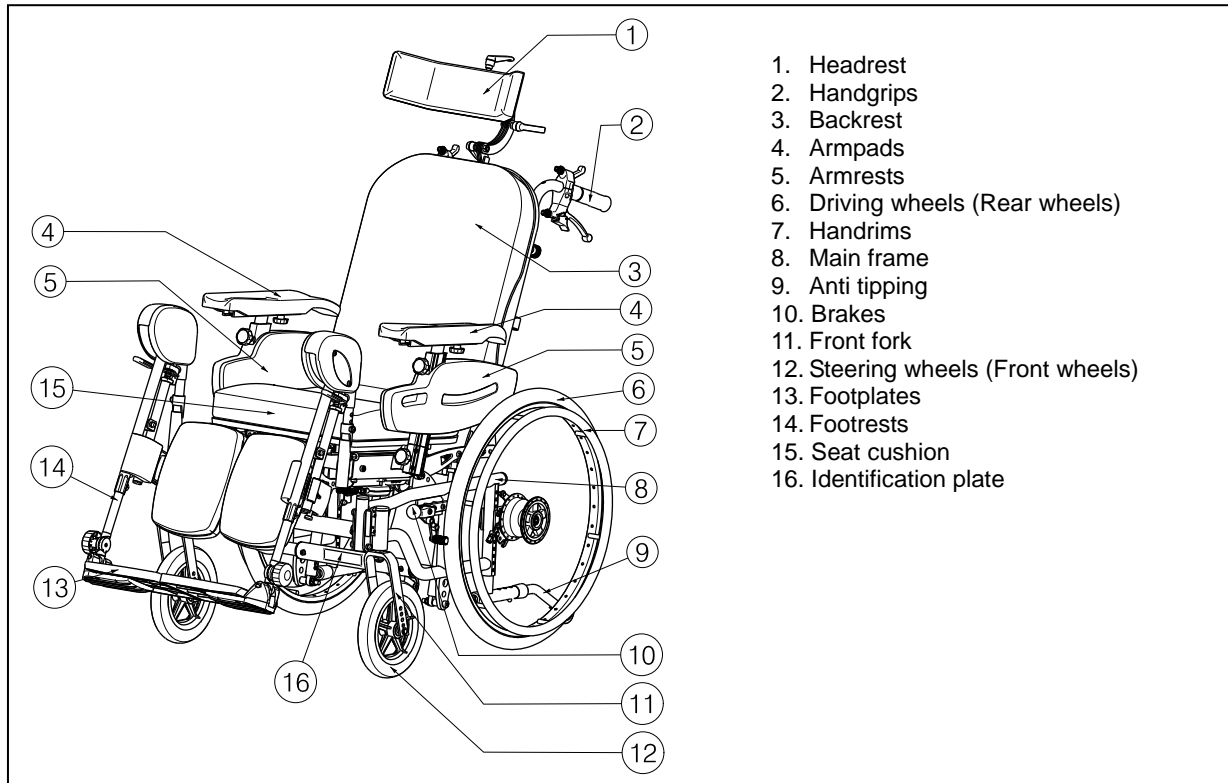
Table 1: Technical specifications EZ1

The wheelchair complies to the requirements set up in:

ISO 7176-8: Requirements and test methods for static, impact and fatigue strengths.

EN 1021-1: Assessment of the ignitability of upholstered furniture - Ignition source smouldering cigarette

1.3 Drawing




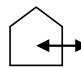




1.4 Accessories

The following accessories are available for the EZ1:

- Anterior pelvic belt (B20, B58)
- Side supports/pellots (L04)
- Polycarbonate therapy table (B115)
- Wooden table (B12)
- Drum brakes (B74)
- Horizontal wedge (B22)

Contact your specialist dealer about other accessories. He will gladly advise you.

1.5 Explanation of symbols

-  Maximum mass
-  Indoor and outdoor use
-  Maximum Safe Slope
-  CE conformity
-  Not intended to be used as a seat in a Motor vehicle
-  Type designation



1.6 Safety rules

- ⚠ To prevent injury and/or damage to your wheelchair, make sure that no objects and/or body parts are caught in the spokes of the driving wheels.
- ⚠ The parking brakes should be applied before getting into and out of the wheelchair.
- ⚠ The parking brakes should be applied when adjusting/mounting the backrest, armrests, ...
- ⚠ When getting into and out of the wheelchair, do not stand on the footplates. These should be folded up beforehand, or the footrests should be swung completely outwards out of the way.
- ⚠ Investigate the effects of shifting the centre of gravity on the behavior of the wheelchair, for example on up or down gradients, on laterally sloping ground, or when overcoming obstacles. Obtain support from an attendant.
- ⚠ If you want to pick up something (lying in front of, on the side, or to the rear of the wheelchair), you should not lean too far out to avoid tipping over.
- ⚠ When moving through doors, arches, etc. ensure that there is enough room at the sides so that you do not get your hands or arms caught or crushed and that there is no damage to the wheelchair.
- ⚠ Only use your wheelchair according to regulations. For example, avoid uncontrolled rolling against obstacles (steps, curbs, doorframes, etc) or dropping down from ledges. The manufacturer cannot assume liability for damage caused by overloading, collision or other improper use.
- ⚠ Stairs may only be negotiated when aided by another person. If furnishings like drive-on, ramps or lifts are available, use them.
- ⚠ When moving on the public highway, you are subject to the rules of the road.
- ⚠ When driving your wheelchair, you should not be under the influence of alcohol or medicine as in the case of driving other vehicles. This also applies to indoor driving.
- ⚠ When travelling outdoors, adapt your driving to weather and traffic conditions.
- ⚠ When transporting the wheelchair, never pick it up by grasping movable parts (armrests, footrests, etc.)
- ⚠ To be better visible when driving in the dark, wear the brightest possible clothing or clothes with reflectors, and check that the reflectors mounted on the sides and rear of the wheelchair are clearly visible.
- ⚠ Never exceed the maximum load of 150 kg.
- ⚠ Use gloves for driving outside, these will increase the grip on the handrim and protect fingers from dirt and heat.
- ⚠ To avoid hand injuries when driving the wheelchair, do not place your fingers/hands between the driving wheel and wheel lock.
- ⚠ Make sure that **no** objects or body parts are in the adjustment range while performing any adjustment functions. – Danger of crushing
- ⚠ Make sure the quick-release wheels are fully engaged to the axle.
- ⚠ Be careful with open flames (upholstery is flame retardant, filler material is not flame retardant).

2 Use

This chapter describes the everyday use. **These instructions are for the user and the specialist dealer.**

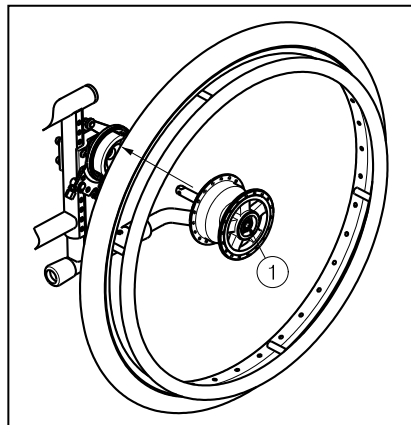
The wheelchair is delivered fully assembled by your specialist dealer. The instructions intended for the specialist dealer on how to set up the wheelchair are given in § 3.

2.1 Carrying the wheelchair

The best way to carry the wheelchair is to make use of the wheels and roll the wheelchair.

If this is not possible (e.g. when the rear wheels are taken off for transportation in a car), firmly grasp the frame on the front and the handgrips. Do not use the foot- or armrests or the wheels to grasp the wheelchair.

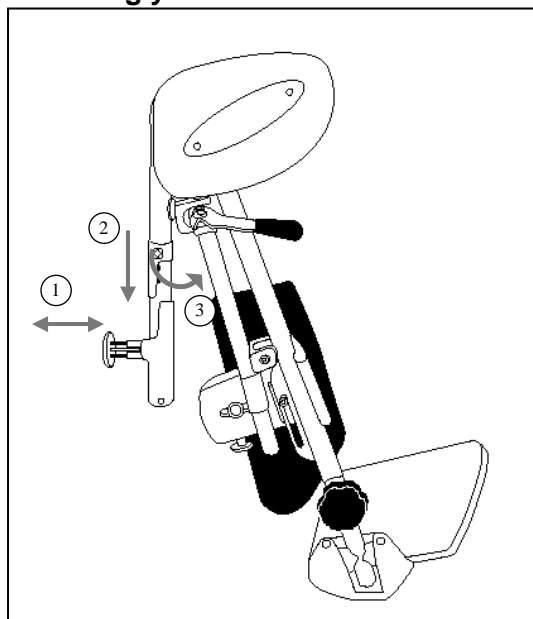
2.2 Mounting the rear wheels



1. Take the rear wheel and push on button ①.
2. Keep the button pushed in and mount the rear wheels axle till it stops.
3. Release the button ①.
4. Check that the wheel is secured.

2.3 Mounting or removing of the footrests

⚠ CAUTION: Risk of injury – Check that the footrests are firmly mounted before using your wheelchair.



The mounting of the footrests is done as follows:

1. Pull out the pin ① of the footrests holder.
2. Place the footrests from the top into the footrests holder. Leave the pin ① of the footrests holder loose. To turn the footrest to the outside, pull out the pin ① and raise the footrest a little bit up (25 mm).
3. Turn the footrest to the outside.
4. Fold the footplate downwards.

To take off the footrests:

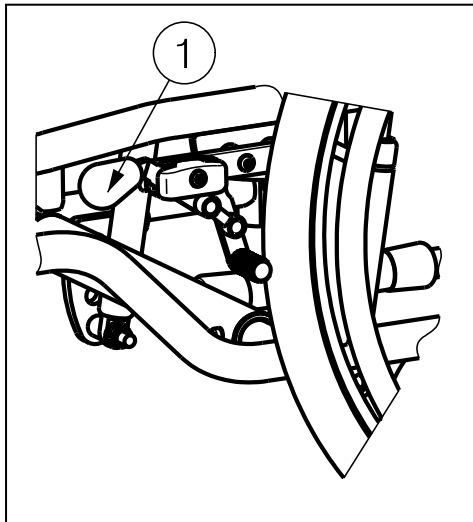
1. Fold the footplate upwards.
2. Pull out the pin ① of the footrests holder.
3. Lift the footrest out the footrests holder.
4. Leave the pin ① of the footrests holder loose.

2.4 Operating the brakes

⚠ WARNING: The brakes are not used to slow down the wheelchair during movements – Use the brake only to prevent the wheelchair from unintended movements.

⚠ WARNING: Good operation of the brakes is influenced by wear and contamination of the tires (water, oil, mud, ...) – Check the condition of the tires before each use.

⚠ WARNING: The brakes are adjustable and can wear – Check the operation of the brakes before each use.



To apply the brakes:

1. Push the brake handles ① forward till you feel a distinctive click.

⚠ CAUTION: Risk of unintended movement – Make sure the wheelchair is on a flat horizontal surface before releasing the brakes. Never release both brakes simultaneously.

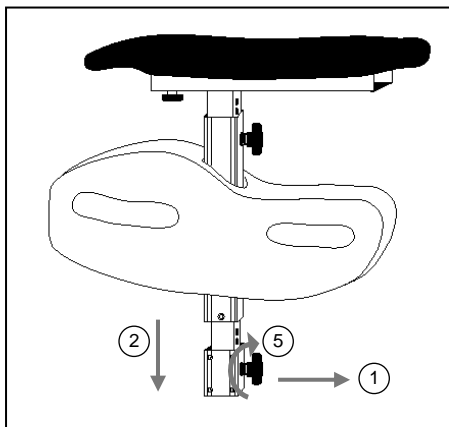
To release the brakes:

1. Release one brake by pulling the lever ① backwards.
2. Hold the handrim of the released wheel with your hand.
3. Release the second brake by pulling the lever ① backwards.

2.5 Mounting or removing of armrests

⚠ CAUTION: Risk of clamping – Keep fingers, buckles and clothes away from the bottom side of the armrest.

⚠ CAUTION: Risk of injury – Check that the armrests are firmly mounted before using your wheelchair.



The armrests of the wheelchair can be mounted by following instructions.

1. Pull the star button ① out.
2. Mount the armrest from the top in the appropriate tube hood ②.
3. Release the star button ①.
4. Make sure the armrest is firmly secured.
5. Turn the star button ① clockwise until hand tight.

To remove the armrest:

1. Turn the star button ① anticlockwise.
2. Pull the star button ① out.
3. Remove the armrest out the tube hood.

To mount and remove the armpads you can use above instructions "mounting or removing of armrests".

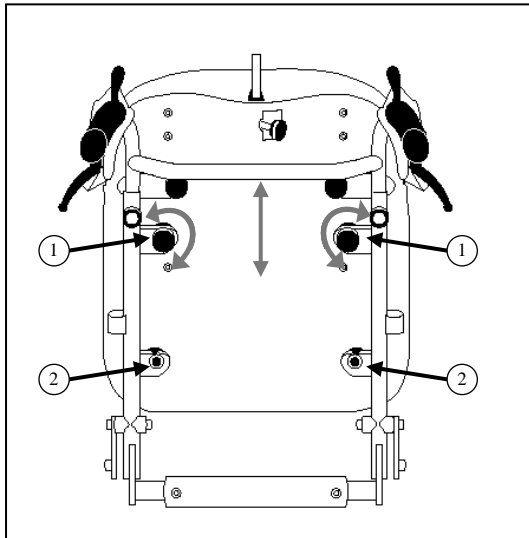
2.6 Mounting or removing of seat cushion

Place/Remove the seat cushion on/from the seat plate with the Velcro strips.

2.7 Mounting or removing of backrest

⚠ CAUTION: Risk of injury – Check that the backrest is firmly mounted into the four brackets before using your wheelchair.

⚠ CAUTION: Risk of clamping, damage – Check that the cables of the handles are not pinched between the backrest frame tubes.



The backrest of the wheelchair can be mounted by following instructions.

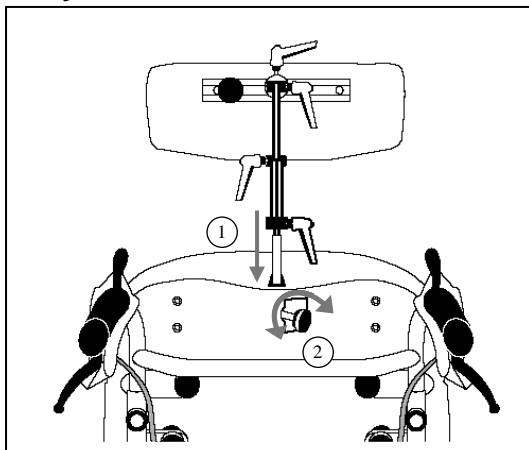
1. Mount the backrest into the four brackets ① + ②.
2. Turn on the upper star buttons to lock the star buttons by hand.
3. Check that the back is firmly fixated.

To remove the backrest of the wheelchair:

1. Loosen the upper star buttons.
2. Pull the backrest upwards out the four brackets ① + ②.

2.8 Mounting or removing of headrest

⚠ CAUTION: Risk of injury – Check that the headrest is firmly fixated before using your wheelchair.



The headrest of the wheelchair can be mounted by following instructions.

1. Mount the headrest into the tube ①.
2. Turn on the star button ② to lock the star button by hand.
3. Check that the headrest is firmly fixated.

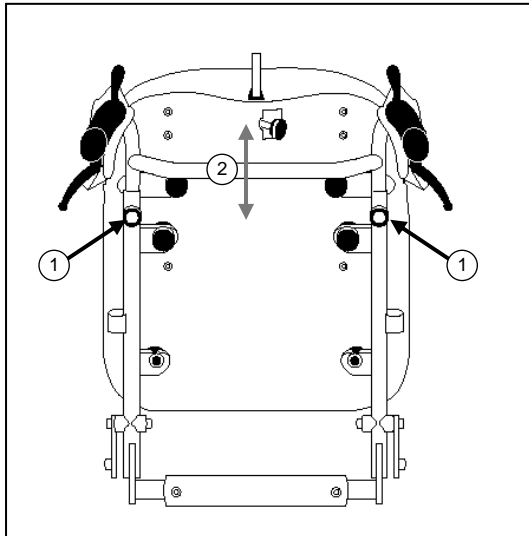
To remove the headrest of the wheelchair:

1. Loosen the star button ②.
2. Pull the headrest upwards out the tube ①.

2.9 Adjusting the pushing handgrips

⚠ CAUTION: Risk of injury – Check that the pushing handgrips are firmly fixated before using your wheelchair.

⚠ CAUTION: Risk of tipping over the wheelchair – Respect the maximum height adjustment otherwise the stability of the wheelchair is at a risk. Use only the last limitation of the pushing handgrips tubes.



The pushing handgrips can be adjusted in height according to the size of the attendant person.

The handgrips can be adjusted by following instructions.

1. Loosen the star buttons ① on each side.
2. Place the pushing handgrips in the desired height for the attendant person.
3. Retighten the star buttons ① on each side.
4. Check that the handgrips are firmly fixated.

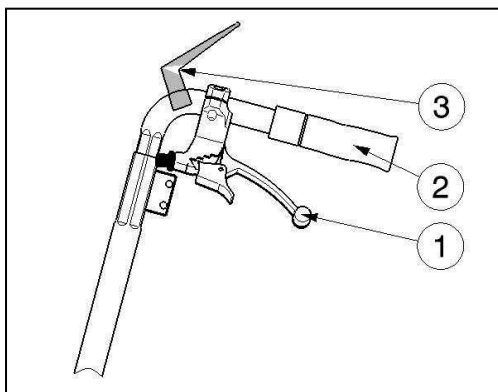
2.10 Backrest adjusting / Seat inclination

⚠ WARNING: Risk of tipping over – Be aware that the stability decrease when the backrest is adjusted backwards.

⚠ WARNING: Risk of injury – Apply the parking brakes before adjusting the backrest and seat inclination.

The seat and the backrest can only be adjusted simultaneously or independently from one another in their angle by an attendant. Be sure that the patient sits in the chair when the attendant shall perform the back adjusting, seat inclination and that the wheelchair does not tip over.

Seat inclination:



1. Pull lever ① on the left side (see label) towards the handgrip ② to adjust the seat inclination.

Label



2. Pull/Push the seat in the desired position (-5° to + 15°), the gas pressure spring shall be pressed in/out.
3. Loosen the lever ①, to block the gas pressure spring.

Backrest adjusting:

1. Pull lever ① on the right side (see label) towards the handgrip ② to adjust the angle of the backrest.

Label



2. Pull/Push the backrest in the desired position (-5° to + 50°), the gas pressure spring shall be pressed in/out.
3. Loosen the lever ①, to block the gas pressure spring.

If your wheelchair features drum brakes, the levers ① are used as brakes; additional levers ③ have been mounted for adjusting angle of backrest and seat inclination. These levers ③ can be triggered with the thumb.

2.11 Transfer in and out the wheelchair

- ⚠ **CAUTION:** In case you cannot perform the transfer in a safe manner, ask someone to assist you.
- ⚠ **CAUTION:** Risk of tipping over the wheelchair – Do not stand on the footplates.
 1. Position the wheelchair as close as possible to the chair, couch or bed to/from you wish to transfer.
 2. Check both brakes from the wheelchair are in the on position.
 3. Fold the footplates upwards to prevent standing on them.
 4. If the transfer is on the side of the wheelchair, you can remove the armrest and/or footrest on that side.
 5. Transfer to/from the wheelchair.

2.12 Correct position in the wheelchair

Some recommendations for a comfortable use of the wheelchair:

- Position your backside as close as possible to the backrest.
- Make sure your upper legs are horizontal – If needed adjust the length of the footrests. (see § 3.8.2)

2.13 Riding the wheelchair

- ⚠ **WARNING:** Risk of clamping – Prevent your fingers from being caught by the wheels spokes.
 - ⚠ **WARNING:** Risk of clamping – Be careful passing through restricted passages (e.g. doors).
 - ⚠ **WARNING:** Risk of burns – Be careful when driving in hot or cold environments (sunshine, extreme cold, saunas, etc.) for a sufficient amount of time and when touching - Surfaces can assume the environment temperatures.
1. Release the brakes.
 2. Take both handrims at their highest position.
 3. Lean forward and push the handrims forward until straight arms.
 4. Swing your arms loosely back to the handrims topside and repeat the movement.

2.14 Riding the wheelchair by an attendant

- ⚠ **WARNING:** Risk of clamping – Be careful passing through restricted passages (e.g. doors).
- ⚠ **WARNING:** Risk of burns – Be careful when driving in hot or cold environments (sunshine, extreme cold, saunas, etc.) for a sufficient amount of time and when touching - Surfaces can assume the environment temperatures.

The wheelchair can be pushed with the pushing handgrips or push bar by an attendant.

2.15 Moving on slopes

- ⚠ **WARNING:** Control your speed – Moving on slopes as slow as possible.
 - ⚠ **WARNING:** Consider the capacities of your attendant – If your attendant does not have enough force to control the wheelchair, put on the brakes.
 - ⚠ **WARNING:** Risk of tipping over – Lean forward to move your centre of gravity forward. To improve a better stability.
1. If available on the wheelchair, wear the safety belt.
 2. Do not attempt moving on too high slopes. The maximum slope angles (upwards and downwards) are mentioned in table 1.
 3. Ask an attendant to help you moving on the slope.
 4. Lean forward to move your centre of gravity forward.



2.16 Negotiating steps or curbs

- ⚠ **WARNING:** Risk of injury – Transporting a patient up or down steps is to be done with at least two attendants.
- ⚠ **WARNING:** Risk of injury – Wear suitable safety belt systems while being transported (information obtainable from your specialist dealer).
- ⚠ **WARNING:** Risk of injury – Sit quietly in your wheelchair and avoid jerky movements. If you cannot sit quietly when being transported because of illness or disability (e.g. slightly spastic, etc.), then at least two persons are required to secure the wheelchair on both sides by taking hold of fixed parts of the frame.
- ⚠ **WARNING:** Risk of injury – Make sure that your arms and legs do not protrude outside the wheelchair while being transported.
- ⚠ **WARNING:** Risk of injury or damages – No persons or objects should be below the wheelchair while being transported.
- ⚠ **WARNING:** Risk of injury – When the footrests have been removed, the legs of the patient are not secured.

2.16.1 Getting down steps or curbs

Riding down steps or curbs can be done moving forwards with an attendant:

1. Make sure that the pushing handgrips are sufficiently tight.
2. Remove the footrests.
3. Ask the attendant to tip the wheelchair slightly backwards with the tip cap.
4. Get past the curbs while moving on the rear wheels and push the wheelchair forwards.
5. The second person secure the wheelchair in front by taking hold of the front of the frame after removing the footrests. He must walk backwards.
6. Put the wheelchair back on the four wheels after passing the curbs.

2.16.2 Moving up steps or curbs

Moving up steps or curbs can be done moving backwards with an attendant:

1. Make sure that the pushing handgrips are sufficiently tight.
2. Remove the footrests.
3. Turn the wheelchair to have the rear wheels facing the curb.
4. Lean backwards and move your centre of gravity above the rear wheels.
5. Ask the attendant to pull the wheelchair on the curb.
6. The second person secure the wheelchair in front by taking hold of the front of the frame after removing the footrests. He must walk forwards.
7. Take back the normal position in the wheelchair.

2.16.3 Taking of stairs

- ⚠ **WARNING:** Risk of tipping over – Taking of stairs shall always be done with 2 attendants.
- ⚠ **WARNING:** Risk of injury – Lifting the wheelchair while the patient is seated in the wheelchair is forbidden! Always keep the rear wheels on the ground/stairs.
- ⚠ **WARNING:** Risk of injury – Wear suitable safety belt systems while being transported (information obtainable from your specialist dealer).
- ⚠ **WARNING:** Risk of injury or damages – No persons or objects should be below the wheelchair while being transported.
- ⚠ **WARNING:** Risk of injury – When the footrests have been removed, the legs of the patient are not secured.

Taking the wheelchair of stairs shall be according following rules:

1. Remove the footrests.

2. One attendant tip the wheelchair slightly backwards.
3. The second attendant take the front of the frame.
4. Stay calm, avoid sudden movements and keep your arms inside the wheelchair.
5. Take the steps on the rear wheels of the wheelchair.
6. Mounting the footrests back after taking the stair.

2.16.4 Using ramps

- ⚠ **WARNING:** Risk of injury – Do not exceed the maximum load of the ramps.
- ⚠ **WARNING:** Risk of injury - Choose the correct ramps so there cannot be caused any injury or damage. We do not accept any liability for injury or damage caused by an improper choice of ramps.
- ⚠ **WARNING:** Risk of injury - Be sure that the wheel height is high enough to get over the free height of the ramps. The wheelchair frame may not touch the ramps.
- ⚠ **WARNING:** Risk of injury - Use a restraining safety belt to secure yourself in your wheelchair.
- ⚠ **WARNING:** Risk of tipping over - Put the adjustment functions (seat, backrest, footrests, ...) that the wheelchair has the best stability.

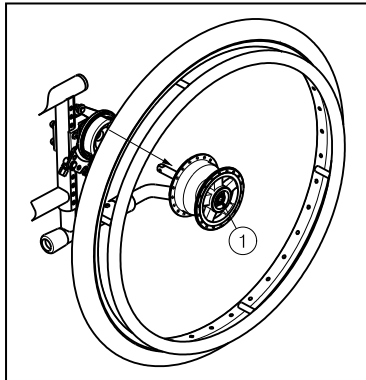
If you are considering the installation of ramps to overcome obstacles, kindly note the following:

Because of the large weight of the wheelchair we advise against using your own power for driving on a ramp, since it might not be possible for you to prevent the wheelchair from rolling backwards.

Never go up or down ramps without the aid of a helper.

2.17 Taking off the wheels

To facilitate the transport off the wheelchair the rear wheels can be taken off:



1. Make sure the brakes standing in the off position.
2. Take the wheelchair to the side frame where you want to remove the wheel.
3. Press the button ① in the center of the wheel hub.
4. Pull the wheel away from the frame.

2.18 Transport in the car

- ⚠ **DANGER:** Risk of injury – The wheelchair is not suited for use as a seat in a motor vehicle.
- ⚠ **WARNING:** Risk of injury – See that the wheelchair is attached properly. So you can avoid injury from the passengers during collision or sudden braking.
- ⚠ **WARNING:** Risk of injury – Use for attaching the wheelchair and passenger **NEVER** the same seatbelt.

Never use your wheelchair as a seat in an automobile or other vehicle. The wheelchair shall be marked with following symbol.



To transport the wheelchair in the car use following steps:



1. Set the seat in a horizontal position and the backrest vertically.
2. Remove footrests, armrests and accessories (ex. headrest, ...).
3. Store footrests, armrests and accessories safely.
4. If possible, fold the wheelchair and remove the wheels.
5. Place the wheelchair in the luggage place with 2 persons.
6. If the wheelchair and the passenger compartment is NOT separated, attach the frame of the wheelchair securely to the vehicle. You can use the available safety belts in the vehicle.
7. Place the patient in the recommended existing seats with their seatbelt systems.

3 Installation and adjustment

The instructions in this chapter are for the specialist dealer.

The Vermeiren multifunctional wheelchairs EZ1 has been designed entirely for your comfort. This wheelchair can be adjusted to individual requirements as explained below.

To find a service facility or specialist dealer near you, contact the nearest Vermeiren facility. A list of Vermeiren facilities can be found on the last page.

⚠ WARNING: Risk of unsafe settings - Use only the settings described in this manual.

⚠ WARNING: Variation of allowed adjustments can still change the stability of your wheelchair (tilt back or sideways).

3.1 Tools

To set up the wheelchair the following tools are needed.

- Wrench set n° 10 to n° 19
- Allen key set n° 4 to n° 5

3.2 Manner of delivery

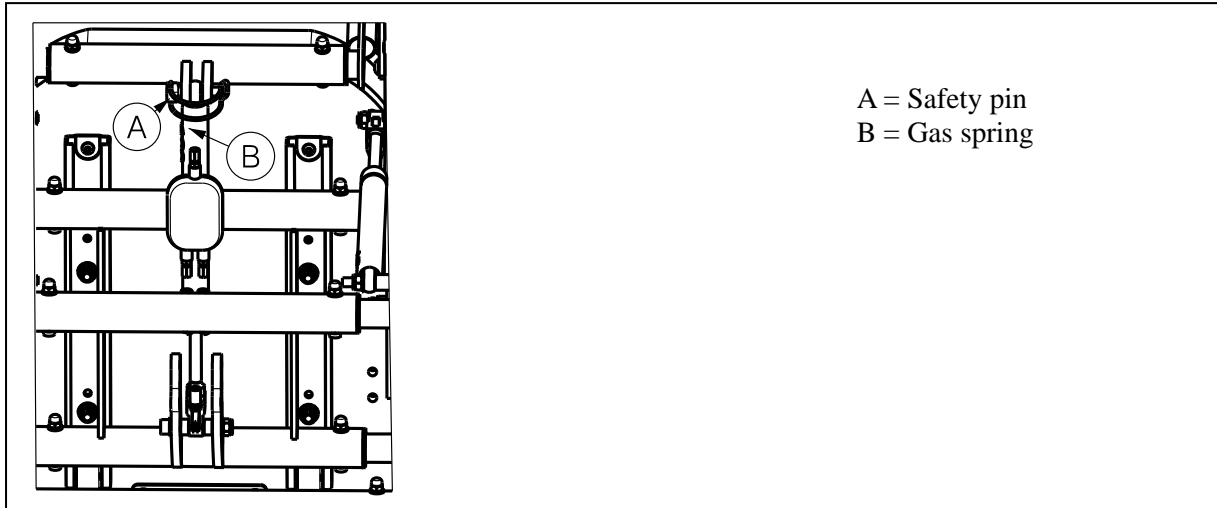
The Vermeiren EZ1 shall be delivered with:

- 1 frame with armrests, rear and front wheels
- 1 pair footrests
- Anatomical seat (fixed)
- Anatomical backrest (fixed)
- Tools
- Manual
- Accessories

Check after receiving the goods, the completeness and functionality of the delivered product. Warranty claims are only valid if they are mentioned to the manufacturer within a period of two weeks in writing. For latent defects warranty claims apply only if they are mentioned to the manufacturer within a period of two weeks after discovery.

3.3 Mounting the frame

- ⚠ **WARNING:** Risk of clamping – Check that no cables become squeezed or pinched.
- ⚠ **WARNING:** Risk of injury – Make sure that the safety pin ① is firmly closed.

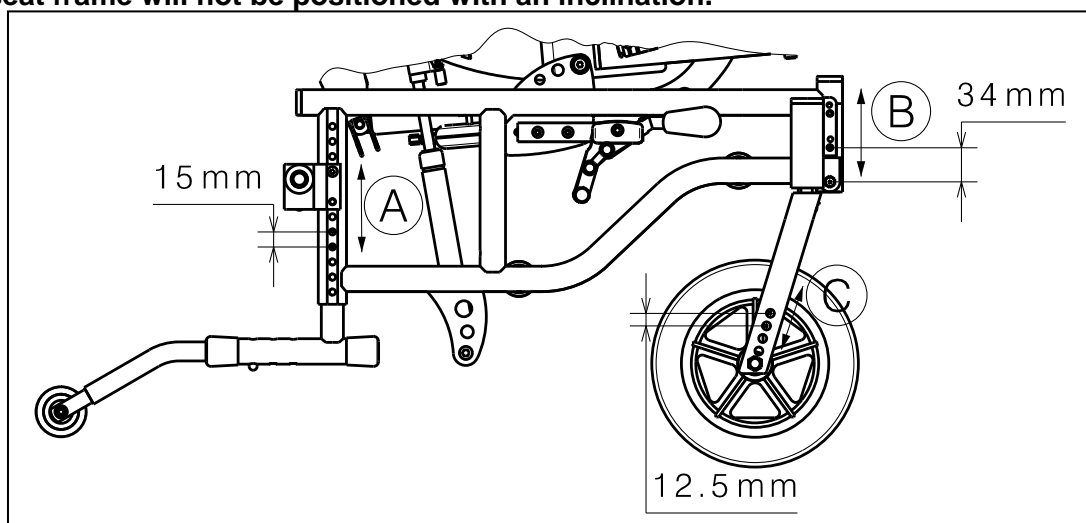


Mounting the frame after taking the wheelchair out of the original packaging:

1. Position the backrest in the 90° position.
2. Move the safety pin ① in the corresponding holes. One to fix the gas spring ②, which is located below the rear of the seat frame.

3.4 Adjusting the seat height

- ⚠ **WARNING:** Risk of injury – Make sure that all screws are tightened securely. Check that the screws are not damaged.
- ⚠ **WARNING:** Risk of injury – Self-locking nuts may only be used once.
- ⚠ **WARNING:** Risk of injury – Avoid getting your fingers caught during the assembly process.
- ⚠ **WARNING:** Risk of tipping over – Make sure when adjusting the seat height, the seat frame will not be positioned with an inclination.



① Axle block drive wheels

1. Unscrew the two screws that mounted the axle block of the rear wheels to the frame.
2. Move the axle block to the desired height (steps 15 mm).
3. Retighten the two screws.
4. Adjust the brakes.

- B Steering wheel adapter**
1. Unscrew the two screws from the steering wheel adapter.
 2. Place the steering wheel adapter in the desired position (2 positions: steps 34 mm).
 3. Tighten the screws properly.

- C Front wheel fork**
1. Unscrew the screws of the front wheel axles from the front fork.
 2. Place the steering wheel in the desired position of the steering fork (steps 12,5 mm)
 3. Tighten the screws properly.

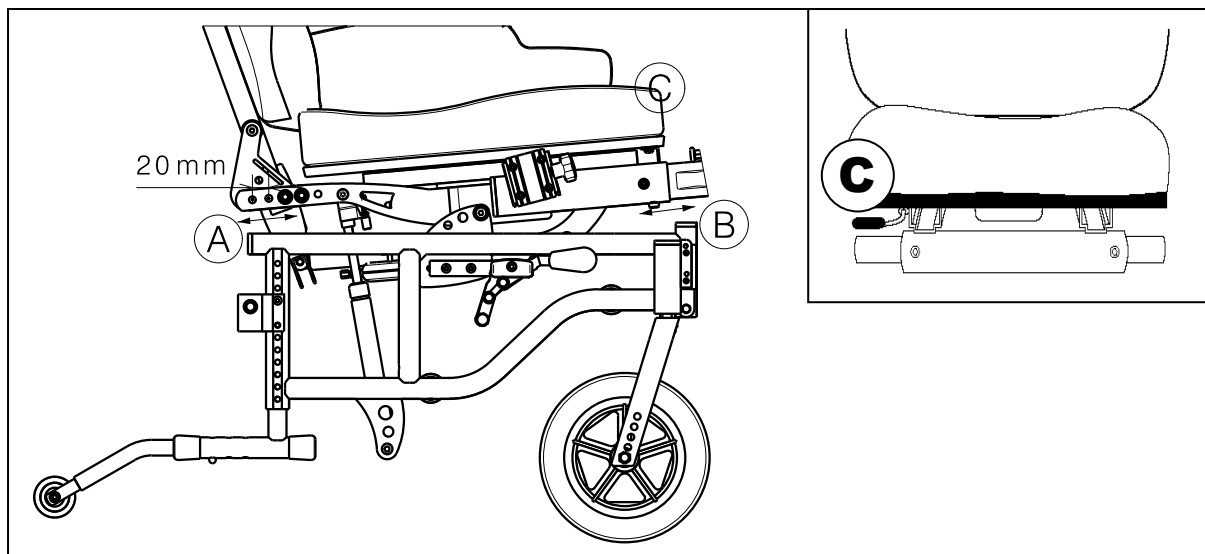
3.5 Adjusting the seat depth

⚠ WARNING: Risk of injury – Make sure that all screws are tightened securely. Check that the screws are not damaged.

⚠ WARNING: Risk of injury – Self-locking nuts may only be used once.

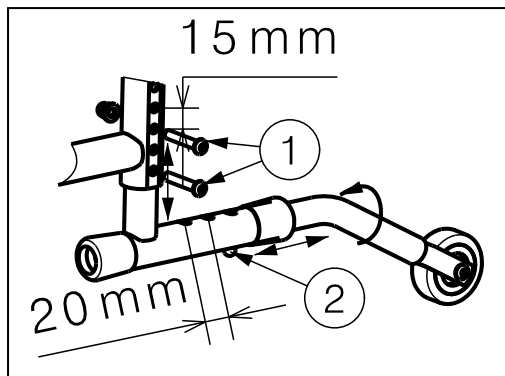
⚠ WARNING: Risk of injury – Avoid getting your fingers caught during the assembly process.

When the seat depth is adjusted in the limitations of the back frame and the gas pressure spring for the backrest adjustment is used, there can be created a gap between the backrest and seat cushions.



- A**
1. Loosen the screws on both sides, where the frame of the backrest is connected to the seat frame.
 2. Pull the frame of the backrest in the desired position (4 positions: steps 20 mm)
 3. Retighten the screws on both sides.
 4. Adjust the brakes.
- B**
1. Loosen the screw where the footrest is secured in the seat frame.
 2. Move the tube of the footrests in the desired position (stepless).
 3. Retighten the screws properly.
- C**
1. Pull the lever for moving the seat frame upwards. This lever is located on the frontside just under the seat.
 2. Move the seat to the desired position (stepless).
 3. Release the lever again. The seat is locked in place.

3.6 Adjusting the anti-tipping



Make sure that the anti-tipping is adjusted to prevent tipping over of the wheelchair.

3.6.1 Height adjustment

1. Loosen the screws ①.
2. Move the anti-tipping in the desired position.
3. Retighten the screws ① properly.

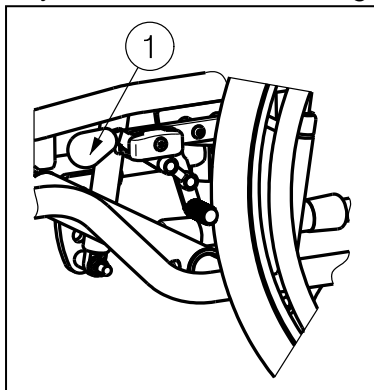
3.6.2 Depth adjustment

1. Press the spring button ②.
2. Move the anti-tipping in the desired position (3 positions possible).
3. Loosen the spring button ①.
4. Check the spring button ① is securely fixated in the hole.

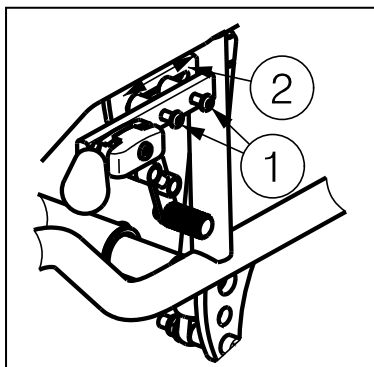
3.7 Adjust the brakes

⚠ WARNING: Risk of injury – Brakes may only be adjusted by your specialist dealer.

Adjust the brakes according following rules:



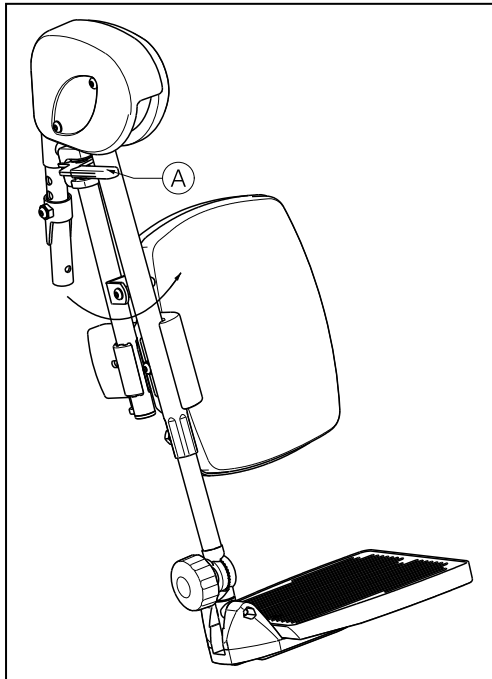
1. Install the wheels according § 2.2.
2. Disconnect the brakes by pulling lever ① backwards.



3. Loosen the bolts ① so the brake mechanism can slide over the guide ②.
4. Pull the brake mechanism over the guide ② to the desired position.
5. Retighten the bolts ①.
6. Check working of the brakes.
7. If necessary repeat the above steps until the brakes are adjusted well.

3.8 Adjusting of the footrests

3.8.1 Angle of the footrests



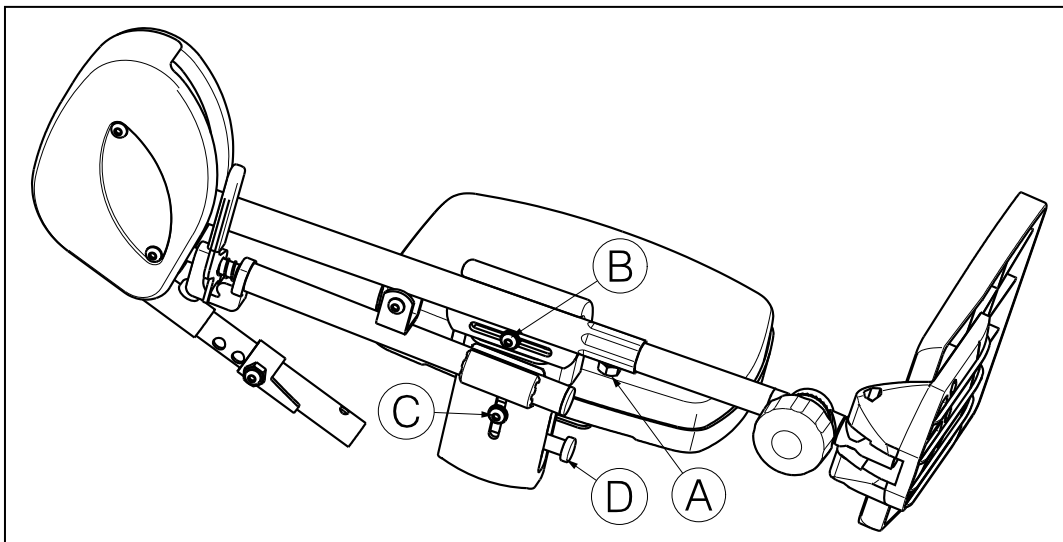
To lift the footrest up:

1. Raise the footrest.
2. Release the footrest, it automatically blocks to the desired angle (up to 113°).

To lower the footrest:

3. Pull the handle **A** upwards.
4. Place the footrest in the desired position.
5. Release the handle **A**.

3.8.2 Length of the footrests



⚠ CAUTION: Risk of injury – Check that all the adjustments for both footrest are placed in an identical position.

⚠ CAUTION: Risk of damage – Avoid that the footplates make any contact with the ground. Keep a minimum distance from 60 mm above the ground.

Adjust the length of the footrests as follow:

1. Loosen the screw **A**.
2. Adjust the length of the footrest to a comfortable length (range 140 mm: stepless).
3. Tighten the screw **A** properly.

3.8.3 Height of the legrests

Adjust the height of the legrests as follow:

1. Loosen the screw ②.
2. Adjust the height of the legrest to a comfortable position (range 50 mm: stepless).
3. Tighten the screw ② properly.

3.8.4 Depth of the legrests

Adjust the depth of the legrests as follow:

1. Loosen the screw ③.
2. Adjust the depth of the legrest to a comfortable position (range 40 mm: stepless).
3. Tighten the screw ③ properly.

3.8.5 Width of the legrests

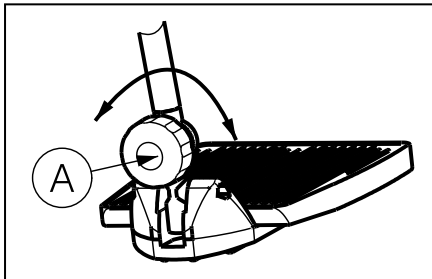
Adjust the width of the legrests as follow:

1. Loosen the 2 screws at the rear of the legrest cushion.
2. Adjust the width of the legrest to a comfortable position.
3. Tighten the screws properly.

3.8.6 Folding up the legrests

1. Push on the button ④.
2. Fold up the legrest.
3. Release the button ④.

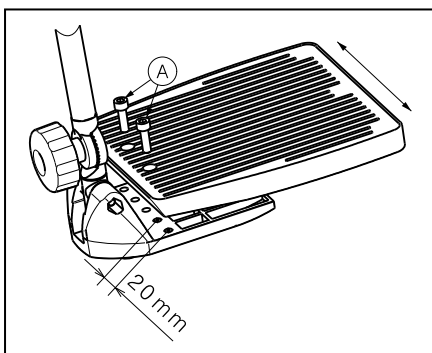
3.8.7 Angle of the footplate



Adjust the angle of the footplate as follow:

1. Loosen the black star button ⑤.
2. Rotate the footplate to the desired angle.
3. Tighten the star button ⑤ properly.

3.8.8 Depth of the footplate



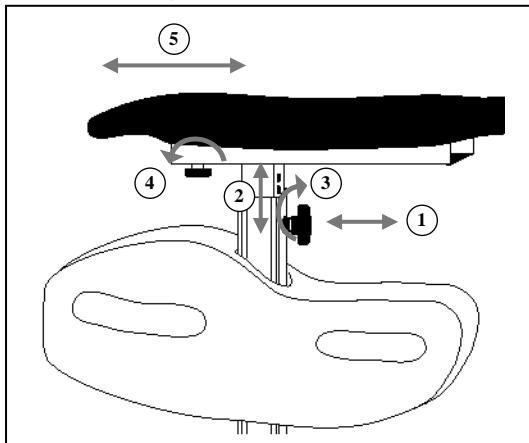
Adjust the depth of the footplate as follow:

1. Remove the two screws ⑥ on the footplate.
2. Adjust the depth of the footplate to a comfortable position (three positions are possible).
3. Tighten the screws ⑥ properly.

3.9 Adjusting of the armpads

⚠ CAUTION: Risk of injury – Check that all the adjustments for both armpads are placed in an identical position.

3.9.1 Height of the armpad



To adjust the height of the armpad:

1. Pull out the locking screw ①.
2. Pull or push the armpad into the required position ②.
3. Release the locking screw ①.
4. Turn the star button clockwise ③.
5. Check the armpad is securely fixated.

3.9.2 Depth of the armpad

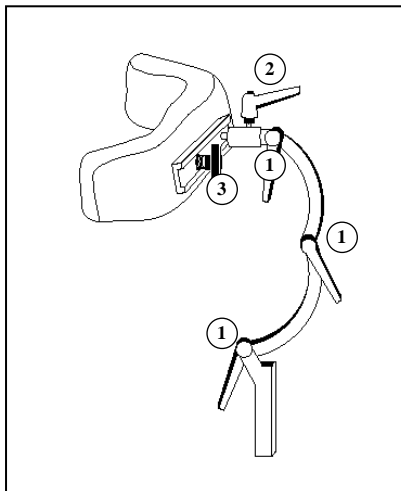
To adjust the depth of the armpad:

1. Loosen the locking screw ④ just below the armpad.
2. Slide the armpad into the required position ⑤.
3. Retighten the locking screw ④ by hand.

3.10 Adjusting of the headrest

⚠ WARNING: Risk of injury – Make sure that all screws are tightened securely.

⚠ WARNING: Risk of ergonomic injury – Make sure that the headrest is adjusted to the best comfort of the patient, and no pressure or tension is applied.



3.10.1 Height and depth of the headrest

To adjust the height and depth of the headrest:

1. Loosen the levers ①.
2. Adjust the headrest in the desired position.
3. Retighten the levers ① by hand.

3.10.2 Rotation upholstery

To upholstery of the headrest can rotate 360°:

1. Loosen the lever ②.
2. Turn the upholstery in the desired position.
3. Retighten the lever ② by hand.

3.10.3 Depth headrest cushion

The cushion of the headrest can be moved sideways:

1. Loosen the star button ③.
2. Move the headrest cushion in the desired position.
3. Retighten the star button ③ by hand.

4 Maintenance

For the maintenance manual of the wheelchairs refer to the Vermeiren website: www.vermeiren.be.

Table des matières

Préface	2
1 Description du produit	3
1.1 Utilisation prévue	3
1.2 Spécifications techniques	4
1.3 Composants	5
1.4 Accessoires	5
1.5 Explication des symboles	5
1.6 Règles de sécurité	6
2 Utilisation	7
2.1 Transport du fauteuil roulant	7
2.2 Montage des roues arrières	7
2.3 Placer ou enlever les repose-pieds	7
2.4 Utilisation des freins	8
2.5 Montage ou retrait des accoudoirs	8
2.6 Placer ou enlever le coussin d'assise	9
2.7 Montage ou retrait du dossier	9
2.8 Placer ou enlever l'appui-tête	9
2.9 Réglage de poignées coulissantes	9
2.10 Réglage du dossier/inclinaison du siège	10
2.11 Transfert dans et hors du fauteuil roulant	11
2.12 Position correcte du fauteuil roulant	11
2.13 Déplacements avec le fauteuil roulant	11
2.14 Conduite du fauteuil roulant avec un accompagnateur	11
2.15 Déplacements en pente	12
2.16 Passage de marches ou de bordures de trottoirs	12
2.17 Retrait des roues	14
2.18 Transport en voiture	14
3 Installation et réglage	15
3.1 Outils	15
3.2 Mode de livraison	15
3.3 Montage du cadre	15
3.4 Réglage de la hauteur d'assise	16
3.5 Réglage de la profondeur d'assise	17
3.6 Réglage de l'anti-basculé	18
3.7 Réglages des freins	18
3.8 Réglage des repose-pieds	19
3.9 Réglage des manchettes	21
3.10 Réglage de l'appui-tête	21
4 Maintenance	22

Préface

Nous tenons tout d'abord à vous remercier de nous avoir fait confiance en choisissant l'un de nos fauteuils roulants.

Les fauteuils roulants Vermeiren sont le résultat de nombreuses années de recherche et d'expérience. Au cours du développement, une attention spéciale a été portée sur la facilité d'utilisation et les possibilités d'entretien du fauteuil roulant.

La durée de vie attendue de votre fauteuil roulant est fortement influencée par l'entretien et la maintenance dont il bénéficie.

Ce manuel vous aidera à connaître le fonctionnement de votre fauteuil roulant.

Le respect des instructions d'utilisation et des instructions de maintenance est une condition essentielle de la garantie.

Ce manuel reflète les derniers développements du produit. Vermeiren est autorisé à apporter des modifications sans devoir pour autant adapter ou remplacer les modèles fournis précédemment.

Pour toute question, consultez votre distributeur.

1 Description du produit

1.1 Utilisation prévue

Le fauteuil roulant est destiné aux personnes qui ont des difficultés à marcher ou sont dans l'impossibilité de marcher.

Le fauteuil roulant est destiné au transport d'une seule personne.

Le fauteuil roulant est destiné à une utilisation en intérieur et en extérieur sous certaines conditions.

L'utilisateur peut lui-même faire avancer le fauteuil roulant ou se faire pousser par une autre personne.

Les différents types d'équipements et d'accessoires et la construction modulaire permettent une utilisation complète par des personnes souffrant des handicaps suivants:

- paralysie,
- de la perte de membres (amputation des jambes),
- déficience ou malformation de membres,
- de contractions ou d'affections articulaires,
- insuffisances cardiaques et mauvaise circulation sanguine,
- troubles de l'équilibre,
- cachexie (perte musculaire),
- et les personnes gériatriques

En cas de fourniture pour des besoins individuels :

- de la taille et du poids corporel (maximum 150 kg),
- de l'état physique et psychologique,
- de l'environnement de vie,
- de l'environnement

Votre fauteuil roulant ne doit être utilisé que sur des surfaces où les quatre roues touchent le sol et où le contact est suffisant pour entraîner les roues de manière équilibrée.

Il est recommandé de s'entraîner à un usage sur des surfaces irrégulières (pavés, etc.), pentes, courbes et à passer des obstacles (bordures de trottoirs, etc.).

Le fauteuil roulant ne doit pas être utilisé comme échelle, ni pour le transport d'objets lourds ou chauds.

En cas d'utilisation sur des paillasons, moquettes ou revêtements de sols non fixés, le revêtement de sol peut être endommagé.

Utilisez uniquement des accessoires approuvés par Vermeiren.


Le fabricant n'est pas responsable des dommages causés par l'absence ou l'inadéquation de l'entretien, ou par le non-respect des instructions de ce manuel.

Le respect des instructions d'utilisation et des instructions de maintenance est une condition essentielle de la garantie.

Les personnes souffrant de problèmes visuels peuvent prendre contact avec le revendeur pour les instructions d'utilisation.

1.2 Spécifications techniques

Les données techniques ci-dessous sont valables pour le fauteuil roulant dans des réglages standards et avec des roues arrières de 22". En cas d'utilisation d'autres repose-pieds/accoudoirs ou autres accessoires, les valeurs indiquées sont modifiées.

Marque	Vermeiren							
Adresse	Vermeirenplein 1/15, B-2920 Kalmthout							
Type	Fauteuil roulant multifonctionnel							
Modèle	EZ1							
Poids max. du patient	150 kg							
Description	Dimensions							
Largeur d'assise efficace	390 mm	420 mm	450 mm	480 mm	510 mm	540 mm	570 mm	
Largeur totale (en fonction de la largeur d'assise)	600 mm	630 mm	660 mm	690 mm	720 mm	750 mm	780 mm	
Hauteur du dossier	500 mm 600 mm	600 mm	500 mm 600 mm	600 mm	500 mm 600 mm	600 mm		
Description	Dimensions min.			Dimensions max.				
Longueur totale avec repose-pied	1116 mm			1122 mm				
Longueur pliée	790 mm							
Largeur pliée	700 mm							
Hauteur pliée	980 mm							
Masse totale	± 43,45 kg							
Masse de la partie la plus lourde	23,80 kg							
Des masses de pièces qui peuvent être démontés ou retirées	Repose-pieds : 6,20 kg ; Accoudoirs : 3,00 kg; Roues arrière : 4,15 kg; Coussin de siège : 1,5 kg; Appui-tête : 1,35 kg							
Stabilité statique en descente	10° (en configuration standard)							
Stabilité statique en montée	10° (en configuration standard)							
Stabilité statique latérale	10° (en configuration standard)							
Passage d'obstacle	60 mm							
Angle du plan d'assise	-5°			+15°				
Profondeur d'assise efficace	430 mm			520 mm				
Hauteur de la surface d'assise sur le bord avant (avec coussin)	490 mm			620 mm				
Coussin d'assise	80 mm							
Angle du dossier	0°			50°				
Distance entre la palette et le siège	440 mm			580 mm				
Angle entre la palette et le siège	-3°			10°				
Distance entre la manchette et le siège	190 mm			290 mm				
Emplacement avant de la structure des accoudoirs	380 mm			430 mm				
Diamètre de la main-courante	495 mm							
Emplacement horizontal de l'essieu (flèche)	140 mm			170 mm				
Diamètre de braquage minimum	1133 mm							
Diamètre des roues arrières PU	12,5" (T30)	22"		24"				
Pression des pneus, roues arrières (roues motrices) (pour les pneus à air)	Ne s'applique pas							
Diamètre des roues directrices PU	200 x 50 (8")							
Pression des pneus, roues directrices (pour les pneus à air)	Ne s'applique pas							
Couleur du châssis / revêtement	C21 rouge métallique sombre / gris clair							

Température de stockage et d'utilisation	+ 5 °C	+ 41 °C
Humidité de stockage et d'utilisation	30%	70%
Nous nous réservons le droit d'apporter des modifications techniques. Tolérances ± 15 mm / 1,5 kg / °		

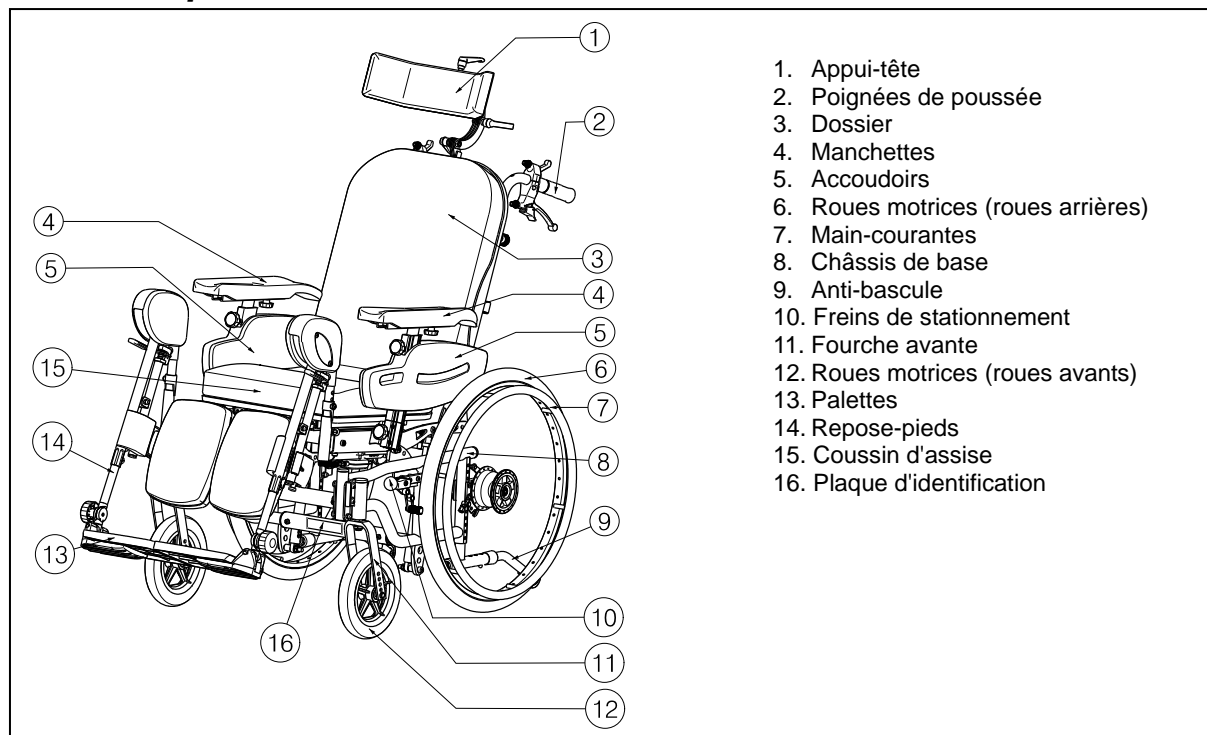
Tableau 1 : Spécifications techniques EZ1

Le fauteuil roulant satisfait aux exigences posées dans :

ISO 7176-8: Exigences et méthodes de test pour les forces statiques, d'impact et de fatigue.

EN 1021-1 : Evaluation de l'allumabilité des meubles garnis - Cigarette fumante comme source d'inflammation

1.3 Composants




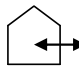

1.4 Accessoires

Les accessoires suivants sont disponibles pour le EZ1 :

- Ceinture pour le bassin antérieure (B20, B58)
- Supports latéraux, Pelottes (L04)
- Tablette de thérapie en polycarbonate (B115)
- Tablette en bois (B12)
- Freins à tambour (B74)
- Selle d'abduction (B22)

Contactez votre revendeur spécialisé pour les autres accessoires. Il vous conseillera avec plaisir.

1.5 Explication des symboles

-  Poids maximum
-  Usage intérieur et extérieur
-  Pente sécurisée maximale



Conformité CE



Ne convient pas pour être utilisé comme siège dans un véhicule motorisé



Désignation type

1.6 Règles de sécurité

- ⚠ Lorsque vous utilisez les roues motrices, veillez à ce qu'aucun objet et/ou partie du corps ne puisse prendre dans les rayons, sous peine de blessures et/ou de dégâts à votre fauteuil roulant.
- ⚠ Actionnez les freins de stationnement avant de vous installer ou de quitter votre fauteuil roulant.
- ⚠ Les freins à main doivent être fixés lors du réglage/montage du dossier, des accoudoirs... .
- ⚠ En vous installant ou en quittant votre fauteuil roulant, veillez à ne pas marcher sur les palettes. Ils doivent être repliés vers le haut ou tous les repose-pieds doivent être tourné vers l'extérieur.
- ⚠ Observez les effets sur le comportement du fauteuil roulant lorsque vous déplacez son centre de gravité, sur une pente ou une montée, sur un sol avec une pente latérale ou lors du franchissement d'obstacles par exemple. Faites-vous aider par un accompagnateur.
- ⚠ Lorsque vous prenez des objets (qui se trouvent devant, à côté ou derrière le fauteuil roulant), veillez à ne pas trop vous pencher en dehors du fauteuil roulant. Car il y a un risque de basculement en raison du déplacement du centre de gravité.
- ⚠ Lorsque vous franchissez des portes, des arches, etc., assurez-vous d'avoir assez d'espace sur les côtés de façon à ne pas coincer ou écraser vos mains ou vos bras et à ne pas endommager votre fauteuil roulant.
- ⚠ Respectez les règles lors de l'utilisation de votre fauteuil roulant. Par exemple, évitez de perdre le contrôle lorsque vous vous dirigez vers des obstacles (marches, bordures, chambranles, etc.) ou lorsque vous descendez d'un rebord. Le fabricant n'assume aucune responsabilité en cas de dommages causés par une surcharge, une collision ou toute autre utilisation inadaptée.
- ⚠ N'empruntez des escaliers qu'avec l'aide d'une autre personne. Si un élévateur, des rampes ou des ascenseurs sont disponibles, utilisez-les.
- ⚠ Lors de tout déplacement sur la voie publique, vous êtes soumis au code de la route.
- ⚠ Lorsque vous utilisez votre fauteuil roulant, vous ne devez pas être sous l'influence de l'alcool ou de médicaments comme pour la conduite d'autres véhicules. Cette règle s'applique également à une utilisation à l'intérieur.
- ⚠ Lors de déplacements à l'extérieur, adaptez votre conduite aux conditions climatiques et du trafic.
- ⚠ Lors du transport du fauteuil roulant, ne le saisissez jamais par les pièces mobiles (accoudoirs, repose-pieds, etc.).
- ⚠ Pour être bien visibles dans l'obscurité, portez les vêtements les plus clairs possible ou des vêtements réfléchissants et vérifiez que les réflecteurs fixés sur les côtés et à l'arrière de votre fauteuil roulant sont clairement visibles.
- ⚠ Ne dépassez jamais la charge maximale de 150 kg.
- ⚠ Si vous roulez en dehors de la maison avec des mains-courantes, il vaut mieux utiliser des gants. Ceux-ci assurent une plus grande adhérence et protègent les doigts contre la saleté et la chaleur.
- ⚠ Afin d'éviter toute lésion aux mains, lorsque vous dirigez le fauteuil roulant, vous ne devez pas insérer les mains entre la roue motrice et le frein.
- ⚠ Assurez-vous qu'**aucun** objet ou qu'aucune partie de corps ne se trouve dans la zone de réglage pendant le réglage - risque de coincement.

- ⚠ Assurez-vous que l'axe à démontage rapide soit totalement verrouillé.
- ⚠ Soyez prudent avec les flammes ouvertes (le revêtement est un retardateur de flammes, le rembourrage n'est pas un retardateur de flammes).

2 Utilisation

Ce chapitre décrit l'utilisation quotidienne. **Ces instructions sont destinées à l'utilisateur et au distributeur.**

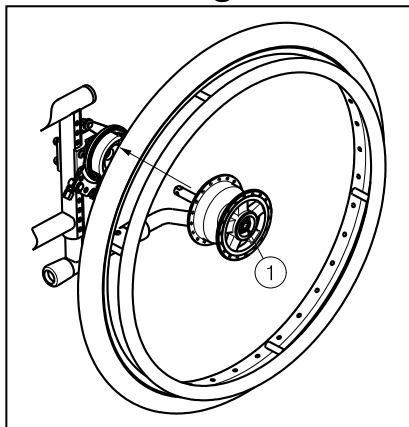
Le fauteuil roulant est livré entièrement assemblé par votre distributeur. Les instructions destinées au distributeur pour le réglage du fauteuil roulant sont indiquées au § 3.

2.1 Transport du fauteuil roulant

Le meilleur moyen de déplacer le fauteuil roulant consiste à le faire rouler sur ses roues.

Si cela n'est pas (par exemple en cas de retrait des roues arrière pour le transport dans une voiture), saisir fermement le cadre à l'avant et les poignées. Ne pas saisir le fauteuil roulant par les repose-pieds ni par les accoudoirs.

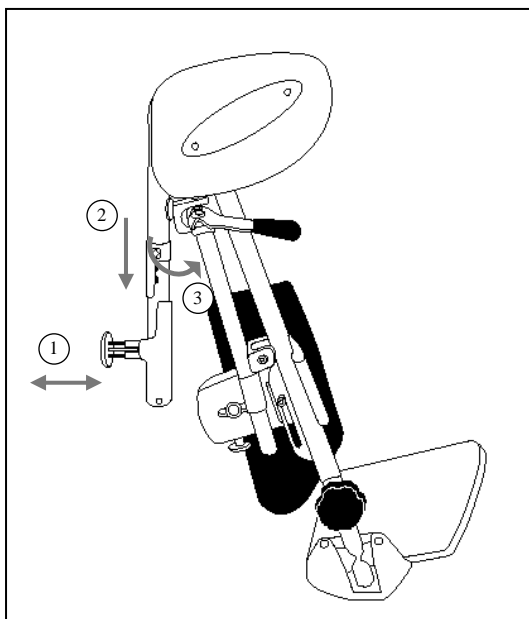
2.2 Montage des roues arrière



1. Prenez la roue arrière et poussez sur le bouton ①.
2. Maintenez le bouton enfoncé et montez l'essieu arrière jusqu'à ce qu'il soit bloqué.
3. Relâchez le bouton ①.
4. Vérifiez que la roue est bloquée.

2.3 Placer ou enlever les repose-pieds

⚠ **ATTENTION : risque de blessures – Vérifiez que les repose-pieds sont fermement installés avant d'utiliser le fauteuil roulant.**



L'installation des repose-pieds se fait de la manière suivante :

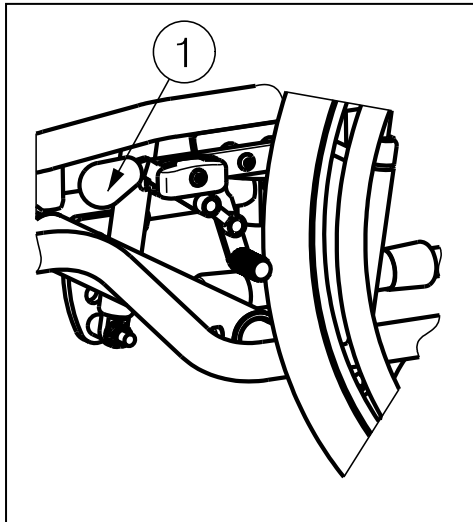
1. Enlevez la broche ① du repose-pied.
2. Placez le repose-pied depuis le dessus dans le support pour le repose-pied. Enlevez à nouveau la broche ① du support pour les repose-pieds. Pour tourner le repose-pied vers l'extérieur, tirez la broche ① et levez le repose-pied légèrement vers le dessus (25 mm).
3. Tournez le repose-pied vers l'extérieur.
4. Tournez la palette vers le bas.

Vous devez procéder de la manière suivante pour enlever les repose-pieds :

1. Tournez la palette vers le haut.
2. Enlevez la broche ① du repose-pieds.
3. Levez le repose-pied du support pour les repose-pieds.
4. Enlevez à nouveau la broche ① du support pour les repose-pieds.

2.4 Utilisation des freins

- ⚠ **AVERTISSEMENT** : les freins n'ont pas pour but de ralentir le fauteuil roulant lors de déplacements – Ne les utilisez que pour éviter des mouvements non souhaités.
- ⚠ **AVERTISSEMENT** : le fonctionnement du freins à mains ont influencé par l'usure et les salissures des pneus (eau, huile, boue...). Vérifiez l'état des pneus avant chaque utilisation.
- ⚠ **AVERTISSEMENT** : les freins sont réglables et sont sujets à l'usure – Vérifiez leur fonctionnement avant chaque utilisation.



Pour actionner les freins :

1. Poussez les poignées de freins ① vers l'avant jusqu'à ce que vous sentiez un clic net.

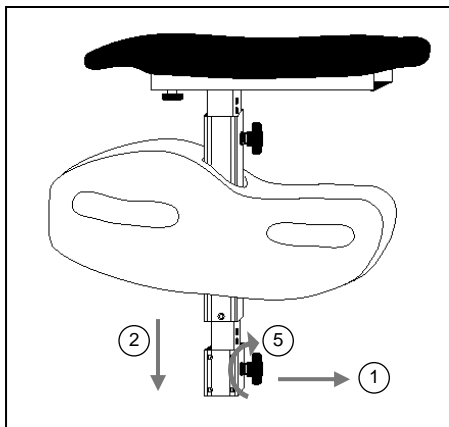
- ⚠ **ATTENTION** : risque de mouvements non souhaités. Vérifiez que le fauteuil roulant se trouve sur une surface horizontale plane avant de relâcher les freins. Ne relâchez jamais les deux freins en même temps.

Pour relâcher les freins :

1. Relâchez un frein en tirant la poignée ① vers l'arrière.
2. Saisissez la main-courante de la roue libre avec la main.
3. Relâchez le deuxième frein en tirant la poignée ① vers l'arrière.

2.5 Montage ou retrait des accoudoirs

- ⚠ **ATTENTION** : Risque de pincement - Éloignez vos doigts, les ceintures et les vêtements de la partie inférieure de l'accoudoir.
- ⚠ **ATTENTION** : Risque de blessures – Vérifiez que les accoudoirs sont fermement installés avant d'utiliser le fauteuil roulant.



Les accoudoirs du fauteuil roulant peuvent être monté par les instructions suivant.

1. Tirez le bouton à croisillon ①.
2. Montez l'accoudoir depuis le dessus dans le support prévu ②.
3. Relâchez à nouveau le bouton à croisillon ①.
4. Vérifiez que l'accoudoir est fixé fermement.
5. Tournez le bouton à croisillon ① dans le sens des aiguilles d'une montre jusqu'à ce qu'il soit serré.

Pour enlever les accoudoirs, vous devez procéder de la manière suivante :

1. Tournez le bouton à croisillon ① dans le sens contraire des aiguilles d'une montre.
2. Retirez le bouton à croisillon ①.
3. Enlevez l'accoudoir du support.

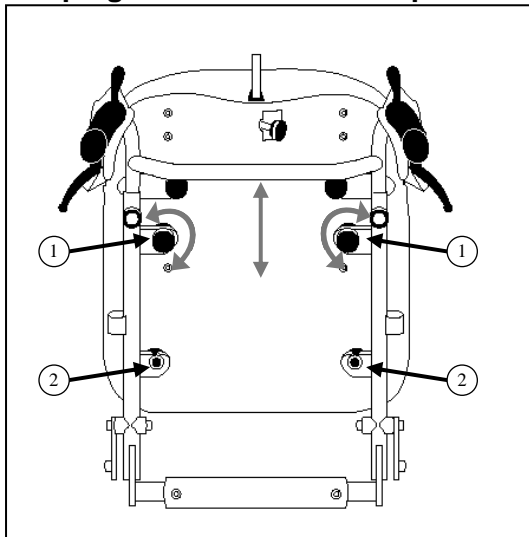
Pour monter et enlever les manchettes, vous pouvez appliquer les instructions ci-dessus « Montage ou retrait des accoudoirs ».

2.6 Placer ou enlever le coussin d'assise

Placez/enlevez le coussin d'assise de la plaque d'assise à l'aide des bandes Velcro.

2.7 Montage ou retrait du dossier

- ⚠ **ATTENTION** : Risque de blessures – Vérifiez que le dossier est fermement installé sur les quatre fixations avant d'utiliser le fauteuil roulant.
- ⚠ **ATTENTION** : Risque de coincement, détérioration - Contrôlez que les câbles des poignées ne se coincent pas entre le dos et la conduite du châssis.



Le montage du dossier du fauteuil roulant s'effectue en suivant les instructions ci-dessous.

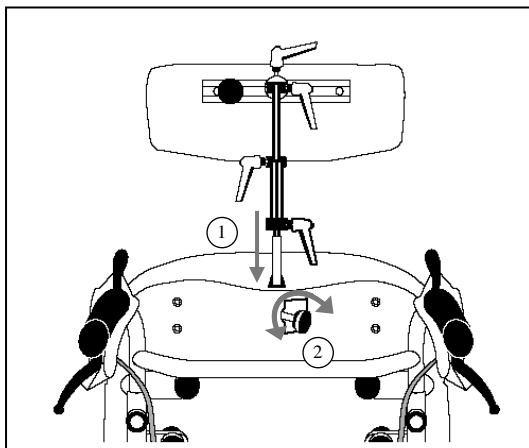
1. Installez le dossier sur les quatre fixations ① + ②.
2. Tournez les boutons à croisillon situés en haut pour les verrouiller à la main.
3. Vérifiez que le dossier est fixé fermement.

Pour retirer du dossier du fauteuil roulant :

1. Relâchez les boutons à croisillon situés en haut .
2. Soulevez le dossier hors des quatre fixations ① + ②.

2.8 Placer ou enlever l'appui-tête

- ⚠ **ATTENTION** : Risque de lésion - Contrôlez que l'appui-tête est bien fixé avant d'utiliser le fauteuil roulant.



L' appui-tête du fauteuil roulant peut être monté en suivant les instructions suivantes :

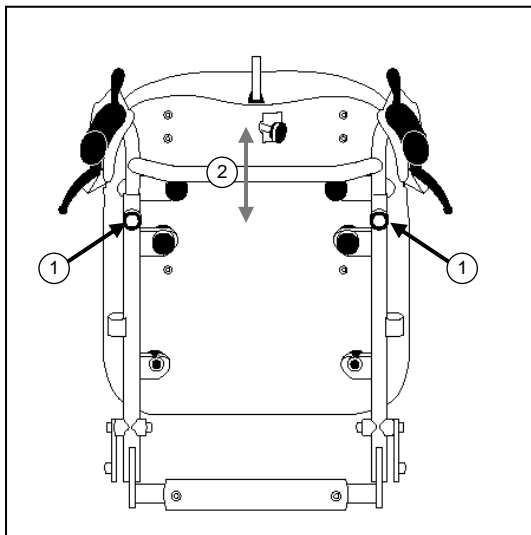
1. Montez l'appui-tête dans la conduite ①.
2. Tournez le bouton à croisillon ② pour le fixer.
3. Contrôlez que l'appui-tête est bien fixé.

Pour enlever l'appui-tête du fauteuil roulant :

1. Détachez le bouton à croisillon ② .
2. Enlevez l'appui-tête de la conduite ①.

2.9 Réglage de poignées coulissantes

- ⚠ **ATTENTION** : Risque de lésion - Contrôler que les poignées sont bien fixées avant d'utiliser le fauteuil roulant.
- ⚠ **ATTENTION** : Risque de basculement - Respectez le réglage maximum de la hauteur des poignées ; autrement le fauteuil roulant peuvent représenter un risque de basculement. Utilisez uniquement la dernière encoche dans les conduites des poignées.



Le réglage de la hauteur des poignées de poussée dépend de la taille de l'accompagnateur.

Suivez la procédure ci-dessous pour ajuster la hauteur des poignées de poussée :

1. Détachez les boutons à croisillon ① des deux côtés.
2. Mettez les poignées dans la hauteur souhaitée pour l'accompagnateur.
3. Resserrez les boutons à croisillon ① correctement des deux côtés.
4. Contrôlez que les poignées sont à nouveau bien fixées.

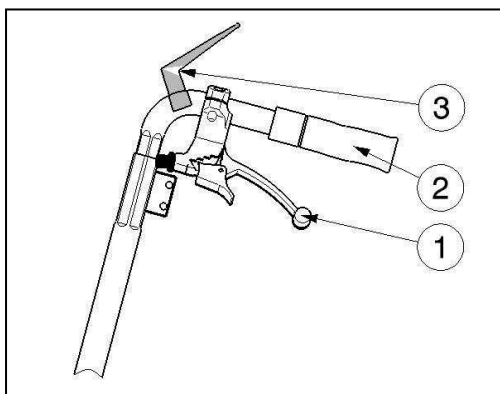
2.10 Réglage du dossier/inclinaison du siège

⚠ AVERTISSEMENT : Risque de basculement – Soyez conscient que la stabilité diminue lorsque le dossier est basculé vers l'arrière.

⚠ AVERTISSEMENT : Risque de blessures – Appliquez les freins de stationnement avant de régler l'inclinaison du dossier et du siège.

Le siège et le dossier ne peuvent être réglés simultanément ou de manière indépendante au niveau de leur angle que par un accompagnateur. Assurez-vous que le patient est assis dans le fauteuil lorsque l'accompagnateur règle le dossier et l'inclinaison du siège et que le fauteuil roulant ne bascule pas.

Inclinaison du siège :



1. Tirez sur le levier ① situé sur le côté gauche (voir étiquette) vers la poignée ② pour régler l'inclinaison du siège.

Étiquette



2. Tirez/poussez le siège dans la position souhaitée (de -5° à + 15°), l'amortisseur à gaz sera comprimé/décomprimé.
3. Relâchez le levier ① pour bloquer l'amortisseur à gaz.

Réglage du dossier :

1. Tirez sur le levier ① sur le côté droit (voir étiquette) vers la poignée ② pour régler l'angle du dossier.

Étiquette



2. Tirez/poussez le dossier dans la position souhaitée (de -5° à + 50°), l'amortisseur à gaz sera comprimé / décomprimé.
3. Relâchez le levier ① pour bloquer l'amortisseur à gaz.

Si votre fauteuil roulant est doté de freins à tambour, les leviers ① sont utilisés comme freins ; des leviers supplémentaires ③ ont été montés pour régler l'angle d'inclinaison du dossier et du siège. Ces leviers ③ peuvent être actionnés avec le pouce.

2.11 Transfert dans et hors du fauteuil roulant

- ⚠ **ATTENTION** : Si vous ne pouvez pas réaliser le transfert en toute sécurité, demandez à quelqu'un de vous aider.
 - ⚠ **ATTENTION** : risque de basculer hors du fauteuil roulant. Ne vous levez pas sur les palettes.
1. Placez le fauteuil roulant aussi près que possible de la chaise, du canapé ou du lit concerné par le transfert.
 2. Vérifiez que les deux freins du fauteuil roulant sont actionnés.
 3. Pliez les palettes vers le haut pour éviter de prendre appui sur elles.
 4. Si vous voulez vous déplacer dans et en dehors du fauteuil le long du côté, il est possible d'enlever l'accoudoir et/ou le repose-pied de ce côté.
 5. Procédez au transfert vers/depuis le fauteuil roulant.

2.12 Position correcte du fauteuil roulant

Recommandations pour une utilisation confortable du fauteuil roulant :

- Placez votre dos aussi proche que possible du dossier.
- Assurez-vous que vos cuisses soient horizontales. Réglez la longueur des repose-pieds si nécessaire (voir § 3.8.2)

2.13 Déplacements avec le fauteuil roulant

- ⚠ **AVERTISSEMENT** : risque de pincement – Évitez de laisser vos doigts se prendre dans les rayons des roues.
 - ⚠ **AVERTISSEMENT** : risque de pincement - Soyez prudent lorsque vous franchissez des passages étroits (portes, par exemple).
 - ⚠ **AVERTISSEMENT** : Risque de brûlures - Soyez prudent lorsque vous roulez dans des environnements extrêmement chauds ou froids (soleil, froid extrême, sauna, etc.) pour une durée déterminée et lorsqu'il y a des contacts - Les surfaces peuvent absorber la température ambiante.
1. Relâchez les freins.
 2. Saisissez le haut des deux mains-courantes.
 3. Penchez-vous en avant et poussez les mains-courantes vers l'avant jusqu'à ce que vos bras soient tendus.
 4. Ramenez doucement vos bras vers le haut des mains-courantes et répétez ce mouvement.

2.14 Conduite du fauteuil roulant avec un accompagnateur

- ⚠ **AVERTISSEMENT** : risque de pincement - Soyez prudent lorsque vous franchissez des passages étroits (portes, par exemple).
- ⚠ **AVERTISSEMENT** : Risque de brûlures - Soyez prudent lorsque vous roulez dans des environnements extrêmement chauds ou froids (soleil, froid extrême, sauna, etc.) pour une durée déterminée et lorsqu'il y a des contacts - Les surfaces peuvent absorber la température ambiante.

Un accompagnateur peut pousser le fauteuil roulant à l'aide des poignées de poussée ou d'une barre de poussée.

2.15 Déplacements en pente

- ⚠ **AVERTISSEMENT** : contrôlez votre vitesse, déplacez-vous sur les pentes aussi lentement que possible.
 - ⚠ **AVERTISSEMENT** : prenez en compte les capacités de votre accompagnateur – Si votre accompagnateur n'a pas de la force suffisante pour contrôler le fauteuil roulant, actionnez les freins.
 - ⚠ **AVERTISSEMENT** : risque de basculement. Penchez-vous vers l'avant pour déplacer votre centre de gravité vers l'avant. Vous gagnerez ainsi en stabilité.
1. Si le fauteuil roulant est équipé d'une ceinture de sécurité, utilisez-la.
 2. N'essayez pas de franchir des pentes trop difficiles. Les angles maximum de la pente (vers le haut et vers le bas) figurent au tableau 1.
 3. Demandez à un accompagnateur de vous aider à franchir une pente.
 4. Penchez-vous vers l'avant pour déplacer votre centre de gravité vers l'avant.

2.16 Passage de marches ou de bordures de trottoirs

- ⚠ **AVERTISSEMENT** : Risque de blessures – Au moins deux accompagnateurs sont nécessaires pour aider un patient à franchir des marches.
- ⚠ **AVERTISSEMENT** : Risque de blessures - Équipez-vous de systèmes de ceintures de sécurité appropriés lors du transport (contactez votre revendeur pour obtenir de plus amples informations).
- ⚠ **AVERTISSEMENT** : Risque de blessures – Restez assis sans bouger dans votre fauteuil roulant et évitez les mouvements saccadés. Si vous ne pouvez pas rester calmement assis dans le fauteuil en raison de votre maladie ou de votre handicap (par exemple : spasmes légers), au moins deux personnes supplémentaires sont nécessaires qui maintiennent le fauteuil roulant sur le côté du cadre pendant le transport.
- ⚠ **AVERTISSEMENT** : Risque de blessures – Assurez-vous de garder vos bras et vos jambes à l'intérieur du fauteuil roulant lors du transport.
- ⚠ **AVERTISSEMENT** : Risque de blessures ou de dommages – Aucune personne ou aucun objet ne doit se trouver sous le fauteuil roulant lors du transport.
- ⚠ **AVERTISSEMENT** : Risque de blessures – Lorsque les repose-pieds ont été retirés, les jambes du patient ne sont plus retenues.

2.16.1 Descente de marches ou de bordures de trottoirs

La descente de marches ou de bordures de trottoirs peut s'effectuer vers l'avant à l'aide d'un accompagnateur :

1. Assurez-vous d'avoir suffisamment serré les poignées de poussée.
2. Retirez les repose-pieds.
3. Demandez à l'assistant d'incliner légèrement le fauteuil roulant vers l'arrière à l'aide du capuchon de basculement.
4. Franchissez la bordure du trottoir tout en déplaçant les roues arrières et poussez le fauteuil roulant vers l'avant.
5. La deuxième personne maintient le fauteuil roulant à l'avant en tenant l'avant du châssis après avoir retiré les repose-pieds. Il doit marcher en reculant.
6. Reposez le fauteuil roulant sur ses quatre roues après avoir franchi la bordure.

2.16.2 Montée de marches ou de bordures de trottoirs

La montée de marches ou de bordures de trottoirs peut s'effectuer vers l'avant à l'aide d'un accompagnateur :

1. Assurez-vous d'avoir suffisamment serré les poignées de poussée.
2. Retirez les repose-pieds.
3. Tournez le fauteuil roulant, roues arrières face à la bordure de trottoir.
4. Penchez-vous vers l'arrière et déplacez votre centre de gravité au-dessus de la roue arrière.
5. Demandez à l'assistant de tirer le fauteuil roulant sur la bordure de trottoir.
6. La deuxième personne maintient le fauteuil roulant à l'avant en tenant l'avant du châssis après avoir retiré les repose-pieds. Il doit marcher en avançant.
7. Reprenez votre position normale dans le fauteuil roulant.

2.16.3 Passage d'escaliers

- ⚠ **AVERTISSEMENT** : risque de basculement – Passez toujours des escaliers avec 2 accompagnateurs.
- ⚠ **AVERTISSEMENT** : Risque de blessures – Il est interdit de soulever le fauteuil roulant lorsque le patient est assis dessus ! Les roues arrières doivent toujours rester en contact avec le sol/les marches.
- ⚠ **AVERTISSEMENT** : Risque de blessures - Équipez-vous de systèmes de ceintures de sécurité appropriés lors du transport (contactez votre revendeur pour obtenir de plus amples informations).
- ⚠ **AVERTISSEMENT** : Risque de blessures ou de dommages – Aucune personne ou aucun objet ne doit se trouver sous le fauteuil roulant lors du transport.
- ⚠ **AVERTISSEMENT** : Risque de blessures – Lorsque les repose-pieds ont été retirés, les jambes du patient ne sont plus retenues.

Le passage d'escaliers avec le fauteuil roulant s'effectue selon les règles suivantes :

1. Retirez les repose-pieds.
2. Un assistant incline légèrement le fauteuil roulant vers l'arrière.
3. Le deuxième assistant attrape l'avant du châssis.
4. Restez calme, évitez les mouvements brusques et gardez les bras à l'intérieur du fauteuil roulant.
5. Passez les marches sur les roues arrière du fauteuil roulant.
6. Remontez les repose-pieds après le passage des escaliers.

2.16.4 Utilisation des rampes

- ⚠ **AVERTISSEMENT** : Risque de blessures – Ne dépassez pas la charge maximale ou les rampes.
- ⚠ **AVERTISSEMENT** : Risque de blessures - Choisissez les rampes appropriées afin de ne pas provoquer des blessures ou des dommages. Nous déclinons toute responsabilité en ce qui concerne les dommages matériels ou corporels résultant du franchissement de ces rampes.
- ⚠ **AVERTISSEMENT** : Risque de blessures - Assurez-vous que la hauteur des roues est suffisante pour franchir la hauteur libre des rampes. Le châssis du fauteuil roulant ne peut pas toucher les rampes.
- ⚠ **AVERTISSEMENT** : Risque de blessures - Utilisez une ceinture de sécurité pour vous attacher dans le fauteuil roulant.
- ⚠ **AVERTISSEMENT** : Risque de basculement - Utilisez les fonctions de réglage (siège, dossier, repose-pieds,) afin que le fauteuil roulant aie la meilleure stabilité.

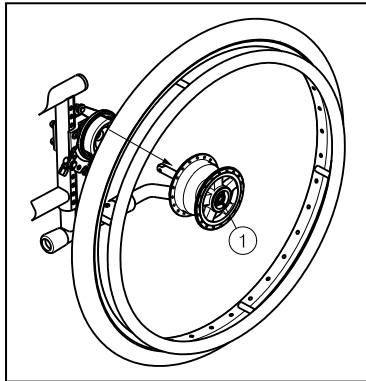
Si vous pouvez vous rabattre sur des rampes pour surmonter un obstacle, nous vous prions de tenir compte des points suivants :

Étant donné le poids important du fauteuil roulant, nous vous conseillons d'utiliser votre propre force pour emprunter une rampe étant donné qu'il ne sera peut-être pas possible pour vous d'empêcher le fauteuil roulant de reculer.

Ne franchissez jamais de rampes sans l'aide d'une personne.

2.17 Retrait des roues

Les roues arrière peuvent être retirées pour faciliter le transport du fauteuil roulant :



1. Vérifiez que les freins ne sont pas actionnés.
2. Prenez le fauteuil roulant sur le côté du châssis où vous souhaitez retirer la roue.
3. Appuyez sur le bouton ① au centre du moyeu.
4. Tirez la roue hors du châssis.

2.18 Transport en voiture

⚠ DANGER : risque de lésion - Le fauteuil ne convient pas pour être utilisé comme un siège dans un véhicule motorisé.

⚠ AVERTISSEMENT : Risque de blessure – Vérifiez que le fauteuil roulant est bien fixé. Vous évitez ainsi des blessures des passagers en cas de collision ou de freinage brutal.

⚠ AVERTISSEMENT : risque de blessure. N'utilisez JAMAIS la même ceinture pour le fauteuil roulant et le passager.

N'utilisez jamais le fauteuil roulant comme un siège dans une voiture ou dans un autre véhicule. Le fauteuil roulant est marqué avec le symbole suivant :



Pour transporter le fauteuil roulant dans la voiture, respectez les étapes suivantes :

1. Placez le siège en position horizontale et le dossier en position verticale.
2. Retirez les repose-pieds, les accoudoirs et les accessoires (appui-tête par exemple, ...).
3. Stockez les repose-pieds, les accoudoirs et les accessoires en toute sécurité.
4. Si possible, pliez le fauteuil roulant et retirez les roues.
5. Placez le fauteuil roulant dans le compartiment à bagages à l'aide de 2 personnes.
6. Si le fauteuil roulant n'est PAS séparé de l'habitacle, fixez correctement le châssis du fauteuil roulant au véhicule. Vous pouvez utiliser les ceintures de sécurité disponibles dans le véhicule.
7. Installez le patient sur les sièges existants conseillés avec les systèmes de ceintures de sécurité.

3 Installation et réglage

Les instructions de ce chapitre sont destinées au distributeur.

Les fauteuils roulants multifonctionnels Vermeiren EZ1 sont entièrement conçus pour votre confort. Ce fauteuil roulant peut être réglé en fonction des besoins individuels comme expliqué ci-dessous.

Pour trouver un service d'entretien ou un revendeur spécialisé près de chez vous, contactez l'établissement Vermeiren le plus proche. Vous trouverez une liste des établissements sur la dernière page.

⚠ AVERTISSEMENT : Risque de réglages dangereux - N'utilisez que les réglages décrits dans ce manuel.

⚠ AVERTISSEMENT : une variation des réglages autorisés peut avoir une incidence sur la stabilité de votre fauteuil roulant (inclinaison en arrière ou latérale).

3.1 Outils

Les outils suivants sont requis pour le montage du fauteuil roulant.

- Jeu de clés de 10 à 19
- Jeu de clés Allen de 4 à 5

3.2 Mode de livraison

Le Vermeiren EZ1 doit être livré avec :

- 1 châssis avec accoudoirs, roues avants et arrières
- 1 paire de repose-pieds
- Assise anatomique (fixe)
- Dossier anatomique (fix)
- Outils
- Mode d'emploi
- Accessoires

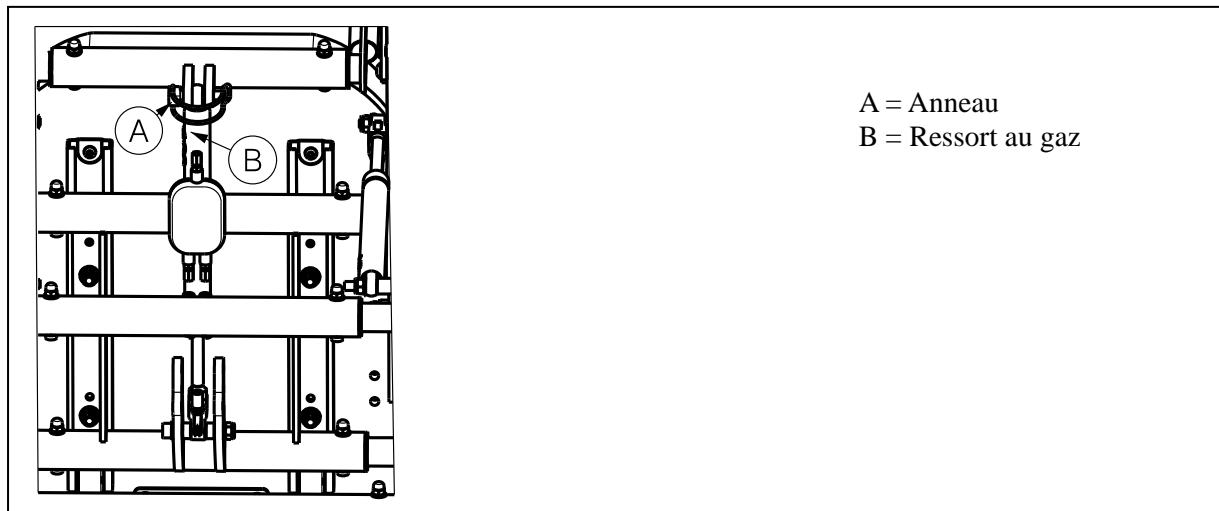
Lors de la réception du fauteuil roulant, vérifiez que le produit livré est complet et entièrement opérationnel.

Les réclamations en vertu de la garantie ne sont valides que si le fabricant (fournisseur) est averti par écrit dans les deux semaines. En cas de défaut qui n'est pas immédiatement visible, les réclamations en vertu de la garantie ne sont valides que si le fabricant (fournisseur) est averti par écrit dans les deux semaines après sa découverte.

3.3 Montage du cadre

⚠ AVERTISSEMENT : Risque de coincement - Assurez-vous qu'aucun câble ne se coince.

⚠ AVERTISSEMENT : Risque de lésion - Assurez-vous que l'anneau  est fixé sur la broche.

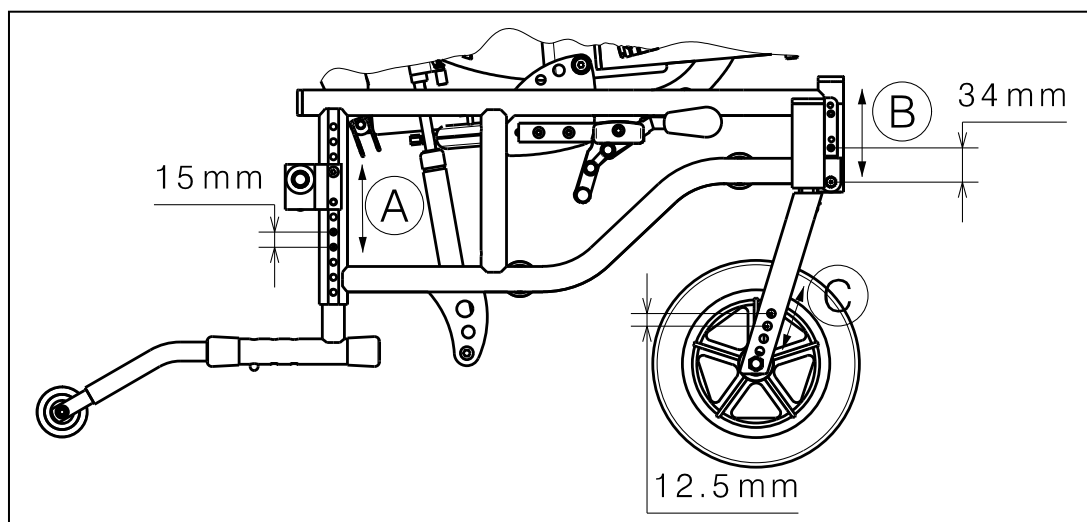


Montage du cadre après que vous ayez enlevé le fauteuil roulant de l'emballage original :

1. Placez le dossier dans la position 90°.
2. Placez l'anneau (A) dans le support concerné pour le ressort à gaz (B), qui est fixé à l'arrière juste en dessous de l'assise.

3.4 Réglage de la hauteur d'assise

- ⚠ **AVERTISSEMENT** : Risque de lésions – Assurez-vous que toutes les vis sont vissées correctement. Contrôlez que les vis ne sont pas endommagées.
- ⚠ **AVERTISSEMENT** : Risque de lésion - Les boulons avec leur propre frein peuvent uniquement être utilisés une fois.
- ⚠ **AVERTISSEMENT** : risque de blessures – Évitez de vous coincer les doigts pendant le processus d'assemblage.
- ⚠ **AVERTISSEMENT** : Risque de basculement - Assurez-vous que l'assise n'est pas positionnée avec une inclinaison lors du réglage de la hauteur d'assise.



A Bloc d'essieux des roues motrices

1. Détachez les deux boulons qui relient le bloc d'essieux des roues motrices et le cadre.
2. Déplacez le bloc d'essieux jusqu'à ce que la hauteur souhaitée soit atteinte (étapes de 15 mm).
3. Réfixez les deux boulons.
4. Réglez les freins.

B Support de l'essieu de la fourche

1. Détachez les deux boulons du support de l'essieu de la fourche.
2. Placez le support de l'essieu de la fourche dans la position souhaitée (2 positions : étapes de 34 mm).
3. Serrez les vis correctement.

C Fourche avant

1. Détachez les boulons des essieux des roues avants de la fourche avant.
2. Placez le volant dans la position souhaitée de la fourche avant (étapes de 12,5 mm).
3. Serrez les vis correctement.

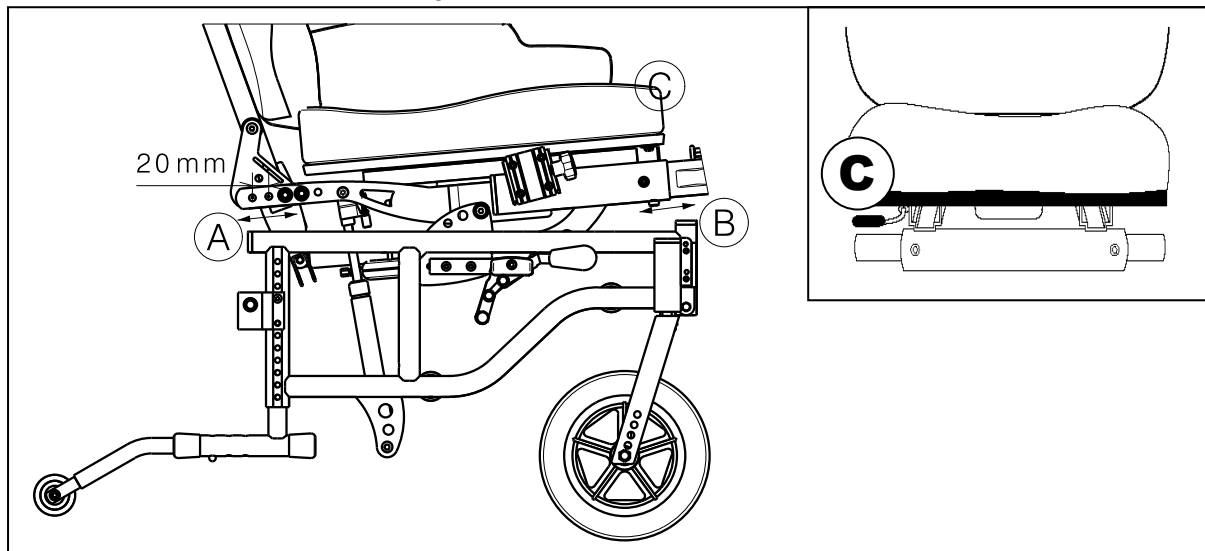
3.5 Réglage de la profondeur d'assise

⚠ AVERTISSEMENT : Risque de lésions – Assurez-vous que toutes les vis sont vissées correctement. Contrôlez que les vis ne sont pas endommagées.

⚠ AVERTISSEMENT : Risque de lésion - Les boulons avec leur propre frein peuvent uniquement être utilisés une fois.

⚠ AVERTISSEMENT : risque de blessures – Évitez de vous coincer les doigts pendant le processus d'assemblage.

Lors du changement de la profondeur d'assise dans la zone du dossier, la course de l'amortisseur à gaz servant à régler le dossier et modifier et un espace peut apparaître entre les coussins du dossier et du siège.

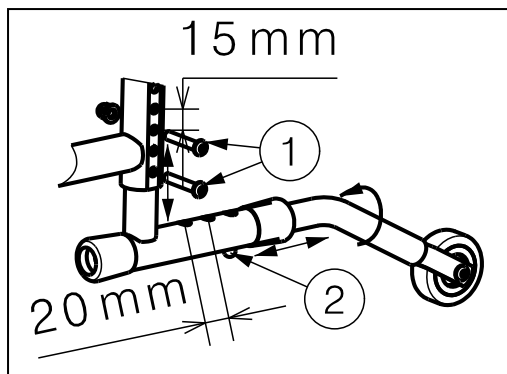


- ### **A**
1. Détachez les vis, avec lesquelles le cadre du dossier est monté sur l'assise, des deux côtés.
 2. Déplacez le cadre du dossier dans la position souhaitée (4 positions : étapes de 20 mm).
 3. Resserrez les vis correctement des deux côtés.
 4. Réglez les freins.

- ### **B**
1. Détachez la vis, avec laquelle les repose-pieds sont montés sur l'assise.
 2. Déplacez les conduites des repose-pieds dans la position souhaitée (progressivement).
 3. Serrez les vis correctement.

- C**
1. Tirez le levier pour déplacer l'assise vers le haut. Ce levier se trouve juste en dessous de l'assise.
 2. Déplacez l'assise jusqu'à la position souhaitée (progressivement).
 3. Relâchez à nouveau le levier. L'assise est bloquée dans la bonne position.

3.6 Réglage de l'anti-bascule



Assurez-vous que l'anti-bascule est réglée dans la bonne position, pour éviter le basculement du fauteuil roulant.

3.6.1 Réglage de la hauteur

1. Retirez les vis ①.
2. Déplacez l'anti-bascule dans la position souhaitée.
3. Serrez les vis ① correctement.

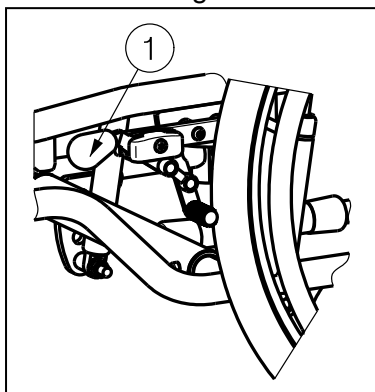
3.6.2 Réglage de la profondeur

1. Appuyez sur le bouton à pression ②.
2. Déplacez l'anti-bascule dans la position souhaitée (3 positions possibles).
3. Relâchez à nouveau le bouton à pression ①.
4. Contrôlez que le bouton à pression ① est à nouveau bien fixé dans le trou.

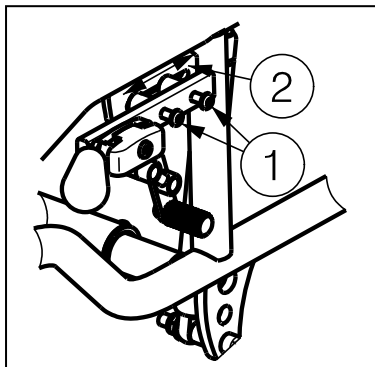
3.7 Réglages des freins

⚠ AVERTISSEMENT : danger de lésion - Faites régler les freins par un commerçant spécialisé et agréé.

Vous devez régler les freins de la manière suivante :



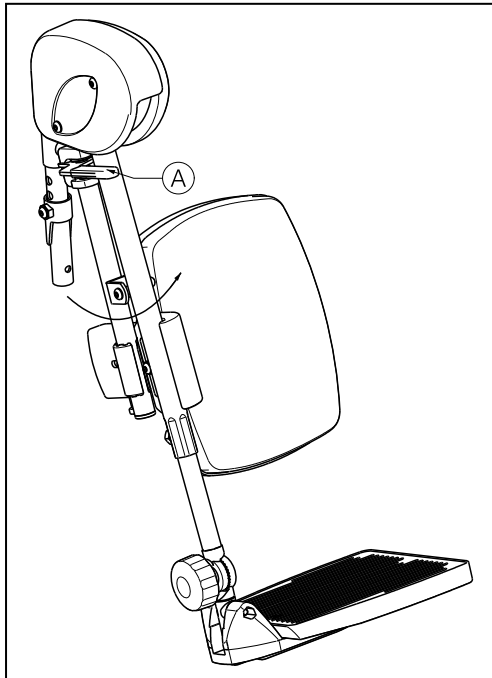
1. Montez les roues comme cela est décrit au § 2.2.
2. Détachez les freins en tirant le levier ① vers l'arrière.



3. Desserrez les boulons ① pour que le mécanisme de freinage glisse sur le guide ②.
4. Tirez le mécanisme de freinage sur le guide ② vers la position souhaitée.
5. Resserrez le boulon ①.
6. Contrôlez le fonctionnement des freins.
7. Si nécessaire, répétez les étapes mentionnées ci-dessus jusqu'au réglage correct des freins.

3.8 Réglage des repose-pieds

3.8.1 Angle des repose-pieds



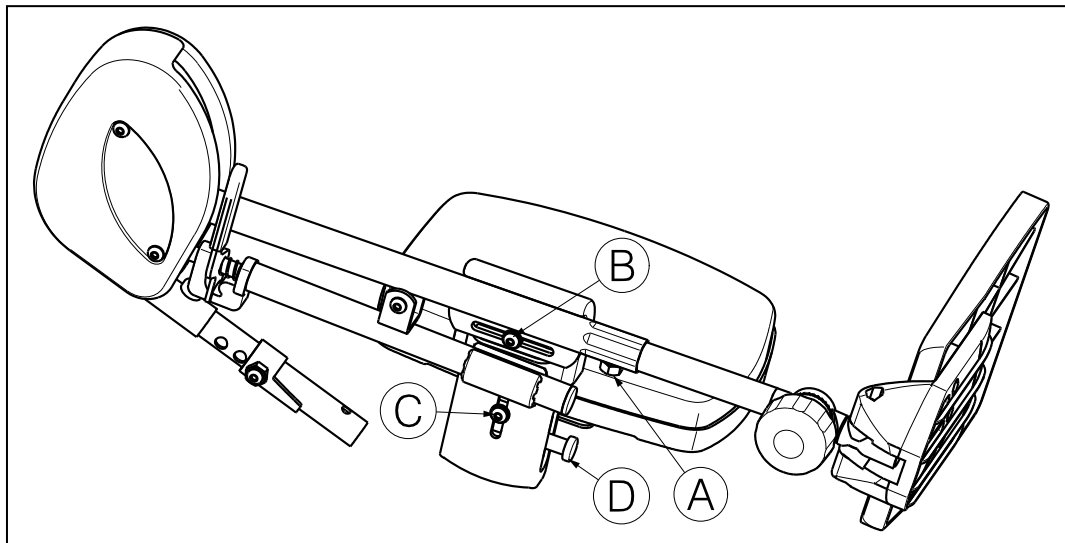
Pour mettre les repose-pieds sous un angle vers le haut :

1. Levez le repose-pied vers le haut.
2. Détachez le repose-pied, celui-ci se bloque automatiquement dans l'angle souhaité (jusqu'à 113°).

Pour abaisser les repose-pieds :

1. Tirez le levier **A** vers le haut.
2. Placez le repose-pied dans la position souhaitée.
3. Relâchez à nouveau le levier **A**.

3.8.2 Longueur des repose-pieds



⚠ ATTENTION : Risque de lésion - Contrôlez que les deux repose-pieds sont placés dans une position identique.

⚠ ATTENTION : risque de dommage, évitez tout contact entre les palettes et le sol. Garez une distance minimale de 60 mm avec le sol.

Réglez la longueur des repose-pieds de la manière suivante :

1. Dévissez la vis **A** .
2. Réglez la longueur du repose-pied dans une position confortable (portée de 140 mm : progressivement).
3. Serrez à nouveau bien la vis **A** .

3.8.3 Hauteur des repose-jambes

Réglez la hauteur des repose-jambes de la manière suivante :

1. Dévissez la vis ②.
2. Réglez la hauteur des repose-jambes dans une position confortable (portée de 50 mm : progressivement).
3. Serrez à nouveau bien la vis ②.

3.8.4 Profondeur des repose-jambes

Réglez la profondeur des repose-jambes de la manière suivante :

1. Dévissez la vis ③.
2. Réglez la profondeur des repose-jambes dans une position confortable (portée de 40 mm : progressivement).
3. Serrez à nouveau bien la vis ③.

3.8.5 Largeur des repose-jambes

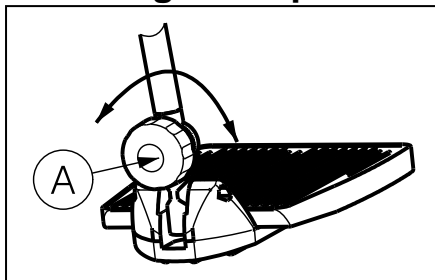
Réglez la largeur des repose-jambes de la manière suivante :

1. Détachez les 2 vis, à l'arrière du coussin du repose-jambe.
2. Réglez le largeur du repose-jambe dans une position confortable.
3. Serrez les vis correctement.

3.8.6 Plier le repose-jambe

1. Appuyez sur le bouton ④.
2. Pliez le repose-jambe.
3. Relâchez le bouton ④.

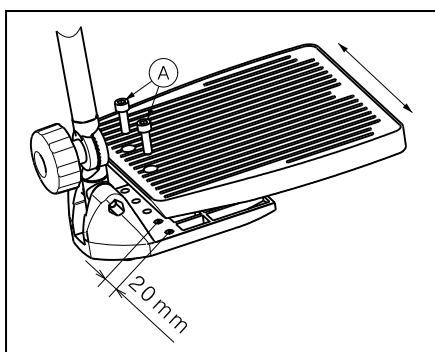
3.8.7 Angle des palettes



Pour régler l'angle des palettes, vous devez procéder de la manière suivante :

1. Détachez le bouton à croisillon noir ①.
2. Tournez la palette dans l'angle souhaité.
3. Serrez à nouveau bien le bouton à croisillon ①.

3.8.8 Profondeur de la palette



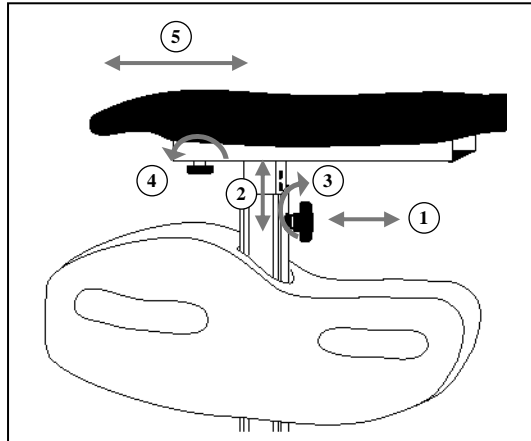
Pour régler la profondeur de la palette, vous devez procéder de la manière suivante :

1. Enlevez les deux vis ① de la palette.
2. Réglez la profondeur de la palette jusqu'à une position confortable (trois positions possibles).
3. Serrez à nouveau bien les vis ①.

3.9 Réglage des manchettes

⚠ ATTENTION : Risque de lésion - Contrôlez que les deux manchettes sont placés dans une position identique.

3.9.1 Hauteur de la manchette



Pour régler la hauteur de la manchette :

1. Enlevez la vis ①.
2. Tirez ou poussez la manchette dans la position souhaitée ②.
3. Détachez la vis ①.
4. Tournez le bouton à croisillon ③ dans le sens des aiguilles d'une montre.
5. Contrôlez que la manchette est à nouveau bien fixé.

3.9.2 Profondeur de la manchette

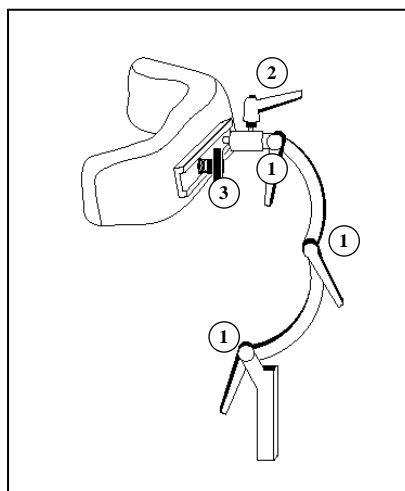
Pour régler la profondeur de la manchette :

1. Détachez la vis ④ juste en dessous de la manchette.
2. Déplacez la manchette dans la position souhaitée ⑤.
3. Serrez à nouveau la vis ④ manuellement.

3.10 Réglage de l'appui-tête

⚠ AVERTISSEMENT : Risque de lésions – Assurez-vous que toutes les vis sont vissées correctement.

⚠ AVERTISSEMENT : Risque de lésion ergonomique - Assurez-vous que l'appui-tête est adapté à l'attitude du patient et qu'il n'y a aucune pression ou tension qui est exercée.



3.10.1 Hauteur et profondeur de l'appui-tête

Pour régler la hauteur et profondeur de l'appui-tête :

1. Détachez les leviers ①.
2. Réglez l'appui-tête dans la position souhaitée.
3. Serrez à nouveau le levier ① manuellement.

3.10.2 Rotation du coussin

Le coussin de l'appui-tête peut être tourné sur 360°:

1. Détachez le levier ②.
2. Tournez le coussin jusqu'à la position souhaitée.
3. Serrez à nouveau le levier ② manuellement.

3.10.3 Réglage de la profondeur du coussin de l'appui-tête

Le coussin de l'appui-tête peut être tourné sur le côté :

1. Détachez le bouton à croisillon ③.
2. Réglez le coussin de l'appui-tête dans la position souhaitée.
3. Resserrez fermement à main le bouton à croisillon ③.

4 Maintenance

Le mode d'emploi des fauteuils roulants se trouve sur le site Internet de Vermeiren, www.vermeiren.be.

INHOUDSOPGAVE

Voorwoord	2
1 Productomschrijving	3
1.1 Toepassingsgebied.....	3
1.2 Technische specificaties	4
1.3 Componenten	5
1.4 Accessoires.....	5
1.5 Gebruikte symbolen	5
1.6 Voor Uw veiligheid	6
2 Gebruik	7
2.1 Dragen van de rolstoel.....	7
2.2 Plaatsen van de achterwielen.....	7
2.3 Plaatsen of verwijderen van de voetsteunen	7
2.4 Bedienen van de remmen	8
2.5 Plaatsen of verwijderen van de armsteunen	8
2.6 Plaatsen of verwijderen van het zitkussen.....	9
2.7 Plaatsen of verwijderen van de rug	9
2.8 Plaatsen of verwijderen van de hoofdsteun.....	9
2.9 Verstellen van de handgrepen.....	9
2.10 Verstellen rug / zitinclinatie.....	10
2.11 Transfer in en uit de rolstoel.....	11
2.12 Correcte positie in de rolstoel.....	11
2.13 Rijden met de rolstoel	11
2.14 Rijden met de rolstoel met de hulp van een begeleider.....	11
2.15 Rijden op hellingen	11
2.16 Nemen van hindernissen (trottoirs).....	12
2.17 Verwijderen van de wielen	14
2.18 Transport in de auto.....	14
3 Montage en instellingen	14
3.1 Gereedschap	15
3.2 Leveringsomvang	15
3.3 Monteren van het frame	15
3.4 Zithoogte instellen.....	16
3.5 Zitdiepte instellen.....	16
3.6 Verstellen van anti-tipping	17
3.7 Afstellen van de remmen.....	18
3.8 Instellen van de voetsteunen	18
3.9 Afstellen van de armleggers.....	20
3.10 Instellen van de hoofdsteun.....	21
4 Onderhoud	21
5 Clusteromschrijvingen	21

Voorwoord

We willen U danken voor het vertrouwen dat U in onze producten stelt.

De rolstoelen van Vermeiren zijn het resultaat van jarenlange studies en ervaringen. Bij de ontwikkeling werd veel aandacht besteed aan een eenvoudige bediening en een gemakkelijk onderhoud.

De verwachte levensduur van Uw rolstoel hangt in sterke mate af van de zorg waarmee U de rolstoel behandelt.

Deze handleiding maakt U vertrouwd met de bediening van Uw rolstoel.

Het naleven van de gebruiks- en onderhoudsinstructies vormen een essentieel onderdeel van de garantiebepalingen.

Deze handleiding houdt rekening met de recentste productontwikkelingen. De Firma Vermeiren behoudt zich echter het recht voor om wijzigingen door te voeren zonder verplicht te zijn voordien geleverde modellen aan te passen of te vervangen.

Als U nog vragen hebt, neemt U best contact op met Uw vakhandelaar.

1 Productomschrijving

1.1 Toepassingsgebied

De rolstoel is bedoeld voor mensen die moeilijk of niet kunnen lopen.

De rolstoel is ontworpen voor het transport van 1 persoon.

De rolstoel is geschikt om binnenshuis en beperkt buitenshuis te gebruiken.

De gebruiker kan de rolstoel zelf voortbewegen of laten duwen door een begeleider.

De verschillende soorten onderdelen en accessoires, en de modulaire constructie, zorgen ervoor dat de rolstoel ten volle kan worden gebruikt door mensen die invalide zijn omwille van:

- Verlamming
- Verlies van ledematen (beenamputatie)
- Defect of aandoeningen van ledematen
- Contracturen of gewrichtsaandoeningen
- Hart- en bloedsomloopinsufficiëntie
- Evenwichtsstoornissen
- Cachexie (afname van het spierweefsel)
- en geriatrische personen

Hou bij de individuele verzorging rekening met:

- grootte en lichaamsgewicht (max. 150 kg)
- fysieke en psychologische gesteldheid
- woonomgeving
- milieu

Uw rolstoel mag alleen gebruikt worden op ondergronden waarbij alle vier de wielen de grond raken en waarbij het bodemcontact voldoende is voor een gelijkmatige aandrijving van alle wielen.

Extra oefening is nodig voor het rijden op ongelijkmatige ondergrond (kasseien, etc.), hellingen en bochten (zijdelings omvallen), evenals het nemen van hindernissen (bvb. Trottoirranden).

De rolstoel dient niet als klimtoestel of om hete of zware voorwerpen te transporteren.

Het gebruik van de rolstoel op tapijten, tapijtvloeren of andere losse vloerbedekkingen kan slijtage van de vloerbedekking tot gevolg hebben.

Gebruik enkel door Vermeiren goedgekeurde accessoires.


Vermeiren is niet aansprakelijk voor schade door gebrekkig of onvoldoende onderhoud of als gevolg van het niet naleven van instructies van deze handleiding.

Het naleven van de gebruiks- en onderhoudsinstructies vormen een essentieel onderdeel van de garantiebepalingen.

Mensen met een visuele beperking kunnen contact opnemen met de vakhandelaar voor de gebruikersinstructies.

1.2 Technische specificaties

Onderstaande technische gegevens zijn geldig voor de rolstoel in standaard instellingen en voor 22" achterwielen. Wanneer er andere voetsteunen / armsteunen of andere accessoires worden gebruikt, worden de opgegeven waarden gewijzigd.

Merk	Vermeiren							
Adres	Vermeirenplein 1/15, B-2920 Kalmthout							
Type	Multi-funcionele rolstoel							
Model	EZ1							
Maximale massa gebruiker	150 kg							
Beschrijving	Afmetingen							
Effectieve zitbreedte	390 mm	420 mm	450 mm	480 mm	510 mm	540 mm	570 mm	
Totale breedte (afhankelijk van de zitbreedte)	600 mm	630 mm	660 mm	690 mm	720 mm	750 mm	780 mm	
Rughoogte	500 mm 600 mm	600 mm	500 mm 600 mm	600 mm	500 mm 600 mm	600 mm		
Beschrijving	Afmetingen min.			Afmetingen max.				
Totale lengte inclusief voetsteun	1116 mm			1122 mm				
Lengte dichtgevouwen	790 mm							
Breedte dichtgevouwen	700 mm							
Hoogte dichtgevouwen	980 mm							
Totaal gewicht	± 43,45 kg							
Gewicht zwaarste onderdeel	23,80 kg							
Massa van onderdelen die kunnen worden gedemonteerd of verwijderd	Voetsteunen: 6,20 kg ; Armsteunen: 3,00 kg ; Achterwielen: 4,15 kg ; Zitkussen: 1,5 kg ; Hoofdsteun: 1,35 kg							
Statische stabiliteit bergaf	10° (in standaard configuratie)							
Statische stabiliteit bergop	10° (in standaard configuratie)							
Statische stabiliteit zijwaarts	10° (in standaard configuratie)							
Maximum hoogte hindernis	60 mm							
Zithoek	-5°			+15°				
Effectieve zitdiepte	430 mm			520 mm				
Zithoogte aan voorzijde (met kussen)	490 mm			620 mm				
Zitkussen	80 mm							
Rughoek	0°			50°				
Afstand tussen zit en voetplaat	440 mm			580 mm				
Hoek tussen zit en voetplaat	-3°			10°				
Afstand tussen armlegger en zit	190 mm			290 mm				
Afstand voorzijde armsteun	380 mm			430 mm				
Diameter aandrijfhoepel	495 mm							
Horizontale afstand van de as (uitwijking)	140 mm			170 mm				
Minimale draaicirkel	1133 mm							
Diameter PU achterwielen	12,5" (T30)	22"			24"			
Bandenspanning achter- (aandrijfwielen) (voor luchtbanden)	Niet van toepassing							
Diameter PU stuurwielen	200 x 50 (8")							
Bandenspanning stuurwielen (voor luchtbanden)	Niet van toepassing							
Kleur van het frame / bekleding	C21 donker metaalrood / zacht grijs							
Opslag en gebruikstemperatuur	+ 5 °C			+ 41 °C				

Opslag en gebruiksluchtvochtigheid	30%	70%
We behouden ons het recht voor om technische wijzigingen te introduceren. Meettolerantie ± 15 mm / 1,5 kg / °		

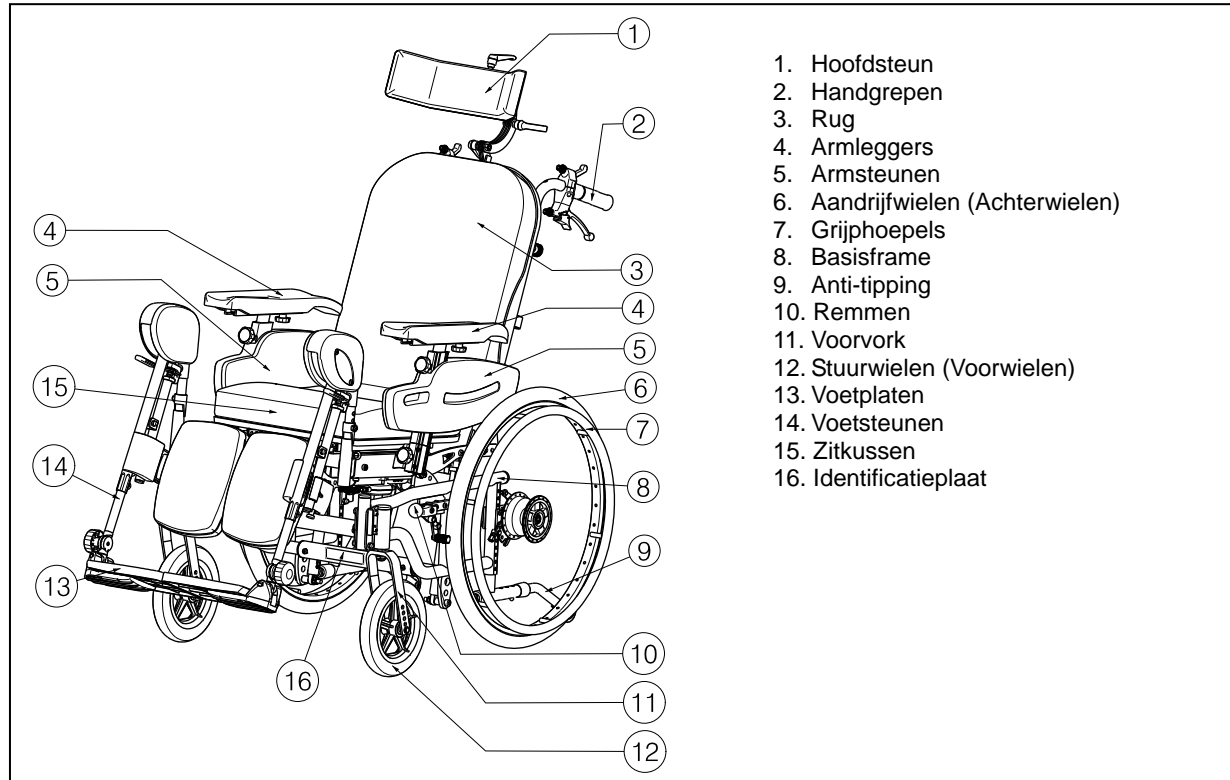
Tabel 1: Technische specificaties EZ1

De rolstoel voldoet aan de eisen gesteld in:

ISO 7176-8: Eisen en beproevingsmethoden voor statische, bots en vermoeiingsproeven.

EN 1021-1: Beoordeling van de ontvlambaarheid van beklede meubelen - Smeulende sigaret als ontstekingsbron

1.3 Componenten




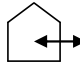

1.4 Accessoires

Volgende accessoires zijn beschikbaar voor de EZ1:

- Anterior bekkengordel (B20, B58)
- Zijsteunen, pelotten (L04)
- Polycarbonaat therapie tafel (B115)
- Houten tafel (B12)
- Trommelremmen (B74)
- Abductieklos (B22)

Neem contact op met de vakhandelaar voor meer informatie over andere accessoires. Hij geeft U graag advies.

1.5 Gebruikte symbolen

-  Maximum gewicht
-  Gebruik voor binnen en buiten
-  Maximale veilige helling



CE conformiteit



Niet bedoeld om te gebruiken als een zit in een voertuig



Type aanduiding

1.6 Voor Uw veiligheid

- ⚠ Let erop dat bij het gebruik van de aandrijfwielen geen voorwerpen en/of lichaamsdelen tussen de spaken terechtkomen. Dit kan immers letsel en/of schade aan de rolstoel veroorzaken.
- ⚠ Voor het in- en uitstappen in de rolstoel dient U de handremmen vast te zetten.
- ⚠ De handremmen moeten worden vastgezet bij het verstellen/monteren van de rug, armsteunen, ...
- ⚠ Gebruik de voetplaten nooit om in en uit de rolstoel te stappen. Deze dienen naar boven te worden geklapt of de volledige voetsteunen dienen naar buiten te zijn weggedraaid.
- ⚠ Onderzoek het effect van een veranderd zwaartepunt op het gedrag van de rolstoel (bijv. op hellingen, op zijdelingse hellingen of bij het overwinnen van hindernissen). Maak gebruik van de hulp van een begeleider.
- ⚠ Let op bij het nemen van voorwerpen (die zich voor, opzij of achter de rolstoel bevinden) dat U niet te ver uit de rolstoel leunt. Anders kan de rolstoel kantelen.
- ⚠ Bij het rijden door deuren, openingen e.d. moet aan de zijkant voldoende plaats zijn, anders bestaat er gevaar op letsel aan handen en armen en op beschadiging van de rolstoel.
- ⚠ Gebruik Uw rolstoel alleen voor de beschreven doeleinden. Vermijd bijv. om zonder remmen tegen een hindernis te rijden (stoeprand, stootsteen) of van treden te springen. De fabrikant is niet aansprakelijk voor schade als gevolg van overbelasting of botsingen bij het gebruik dat niet in overeenstemming is met het doel van het product.
- ⚠ Trappen mogen alleen met behulp van een begeleider worden genomen. Wanneer er bijv. hellingen of liften beschikbaar zijn, dient U deze te gebruiken.
- ⚠ Bij gebruik van de openbare weg dient U zich te houden aan de verkeersregels.
- ⚠ Net zoals voor andere voertuigen geldt dat U de rolstoel niet mag gebruiken onder invloed van alcohol of geneesmiddelen. Dit geldt ook voor verplaatsingen binnenshuis.
- ⚠ Pas Uw rijstijl bij ritten buiten de woning aan, aan het weer en het verkeer.
- ⚠ Bij het transporteren van de rolstoel mag U deze nooit vastnemen aan bewegende onderdelen (armsteunen, voetsteunen, enz.).
- ⚠ Zorg ervoor dat U in het donker goed zichtbaar bent. Draag lichte kleding of kleding met reflectoren en zorg ervoor dat de reflectoren opzij en achteraan de rolstoel goed zichtbaar zijn.
- ⚠ Let erop dat de maximale belasting (150 kg) niet wordt overschreden.
- ⚠ Als U buitenshuis met grijphoepels rijdt, gebruikt U best handschoenen. Die zorgen voor meer grip en beschermen de vingers tegen vuil en hitte.
- ⚠ Om letsels aan de handen te vermijden mag U bij het besturen van de rolstoel de handen niet tussen het aandrijf wiel en de rem steken.
- ⚠ Let op dat er **geen** voorwerpen of lichaamsdelen in de zone van het verstelbereik komen tijdens het verstellen – Klemgevaar.
- ⚠ Let op dat de quick release as volledig vergrendeld is.
- ⚠ Wees voorzichtig met open vlammen (bekleding is vlamvertragend, vulmateriaal is niet vlamvertragend).

2 Gebruik

Dit hoofdstuk beschrijft het normaal gebruik. **Deze instructies zijn van toepassing voor de gebruiker en de vakhandelaar.**

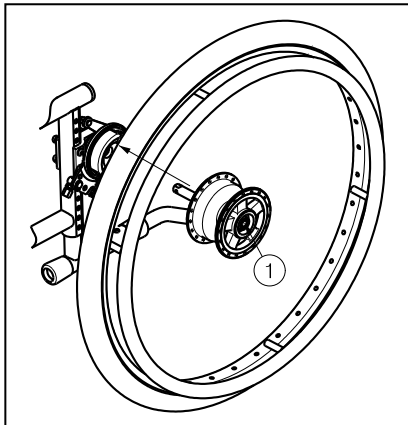
De rolstoel wordt gemonteerd en ingesteld door Uw vakhandelaar. De instructies voor de montage en instellingen van de rolstoel staan in § 3.

2.1 Dragen van de rolstoel

De beste manier om de rolstoel te dragen is om gebruik te maken van de wielen en zo de rolstoel verder te rollen.

Als dit niet mogelijk is (bv. wanneer de achterwielen verwijderd zijn voor transport in de auto), grijp de rolstoel stevig vast aan de voorzijde van het frame en de handgrepen. Gebruik de voet-, armsteunen of de wielen niet om de rolstoel vast te nemen.

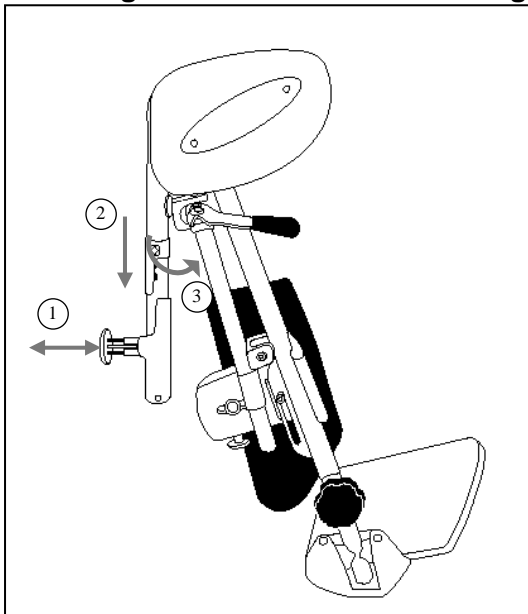
2.2 Plaatsen van de achterwielen



1. Neem het achterwiel en druk naafknop ① in.
2. Houd de naafknop ingedrukt en plaats het achterwiel in de asbus tot deze niet meer verder kan.
3. Laat de naafknop ① los.
4. Kijk na of het wiel goed vastzit.

2.3 Plaatsen of verwijderen van de voetsteunen

⚠ VOORZICHTIG: Gevaar voor letsel – Controleer dat de voetsteunen goed zijn vastgemaakt voor de rolstoel te gebruiken.



Het plaatsen van de voetsteunen gaat als volgt:

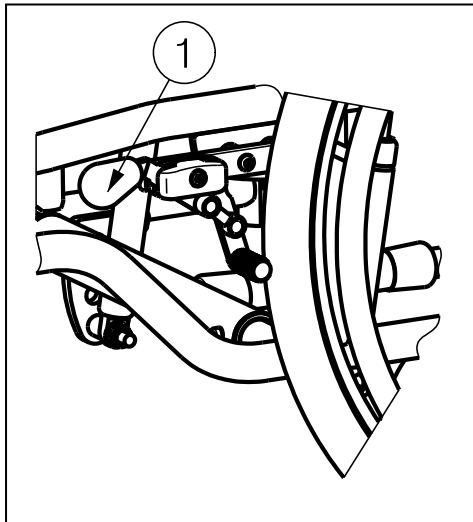
1. Trek de pen ① van de voetsteunhouder uit.
2. Plaats de voetsteun van bovenuit in de voetsteunhouder. Laat de pen ① van de voetsteunhouder terug los. Om de voetsteun naar buiten te draaien, trek de pen ① uit en lift de voetsteun een beetje naar boven (25 mm).
3. Draai de voetsteun naar buiten.
4. Draai de voetplaat naar beneden.

Om de voetsteunen te verwijderen gaat U als volgt te werk:

1. Draai de voetplaat naar boven.
2. Trek de pen ① van de voetsteunhouder uit.
3. Hef de voetsteun uit de voetsteunhouder.
4. Laat de pen ① van de voetsteunhouder terug los.

2.4 Bedienen van de remmen

- ⚠ **WAARSCHUWING:** De remmen dienen niet om af te remmen tijdens het rijden - Gebruik de rem enkel om te vermijden dat de rolstoel in stilstaande positie wegrolt.
- ⚠ **WAARSCHUWING:** De werking van de handremmen worden beïnvloed door slijtage en vervuiling van de banden (water, olie, slijk, ...) – Controleer voor elk gebruik de staat van de banden.
- ⚠ **WAARSCHUWING:** De remmen zijn instelbaar en kunnen verouderen – Controleer voor elk gebruik de goede werking van de remmen.



Om de remmen in te schakelen:

1. Druk de hendels ① van de remmen naar voren tot U een duidelijke klik voelt.

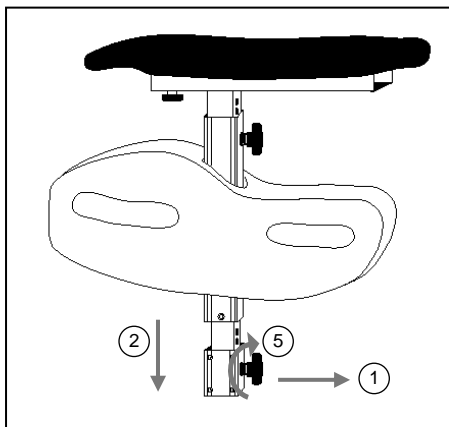
- ⚠ **VOORZICHTIG:** Gevaar op ongecontroleerde bewegingen - Zorg ervoor dat alvorens de remmen los te zetten, de rolstoel vlak staat. Los nooit beide remmen tegelijk.

Om de remmen uit te schakelen:

1. Zet eerst één rem los door de hendel ① naar achteren te trekken.
2. Houd het ongeremde wiel vast aan de grijphoepel met Uw hand.
3. Los de andere rem door de hendel ① naar achteren te trekken.

2.5 Plaatsen of verwijderen van de armsteunen

- ⚠ **VOORZICHTIG:** Kans op klemmen - Houd Uw vingers, gespen en kledij uit de buurt van de onderzijde van de armsteun.
- ⚠ **VOORZICHTIG:** Gevaar voor letsel – Controleer dat de armsteunen goed zijn vastgemaakt voor de rolstoel te gebruiken.



De armsteunen van de rolstoel kunnen worden gemonteerd met volgende instructies:

1. Trek de sterknop ① uit.
2. Monteer de armsteun van bovenuit in de voorziene houder ②.
3. Laat de sterknop ① terug los.
4. Controleer dat de armsteun terug goed is vastgemaakt.
5. Draai de sterknop ① handvast aan in wijzerszin.

Voor het verwijderen van de armsteun gaat U als volgt te werk:

1. Draai de sterknop ① in tegenwijzerszin.
2. Trek de sterknop ① uit.
3. Verwijder de armsteun uit de houder.

Om de armleggers te monteren en verwijderen kan U bovenstaande instructies hanteren

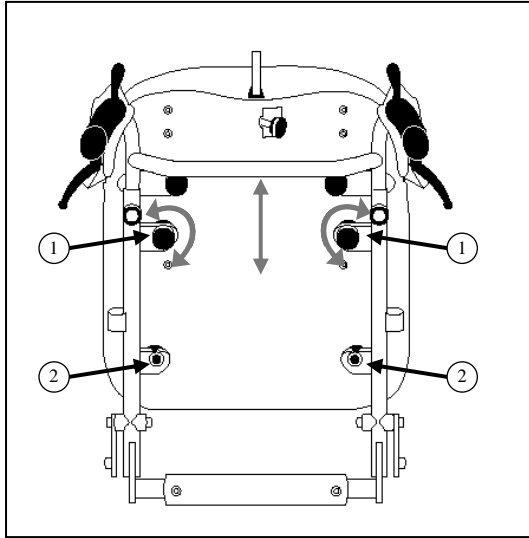
"Plaatsen of verwijderen van de armsteunen".

2.6 Plaatsen of verwijderen van het zitkussen

Plaats/Verwijder het zitkussen op/van de zitplaat met behulp van de Velcro strips.

2.7 Plaatsen of verwijderen van de rug

- ⚠ **VOORZICHTIG:** Gevaar voor letsel – Controleer dat de rug goed is vastgemaakt in de vier haken voor de rolstoel te gebruiken.
- ⚠ **VOORZICHTIG:** Kans op klemmen, beschadiging - Controleer dat de kabels van de handgrepen niet gekneld raken tussen de rug en de buizen van het frame.



De rug van de rolstoel kan worden gemonteerd met volgende instructies:

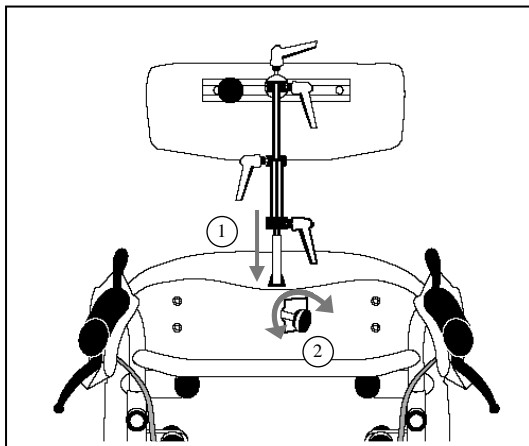
1. Monteer de rug in de vier haken ① + ②.
2. Draai aan de bovenste sterknoppen om deze met de hand vast te zetten.
3. Controleer dat de rug terug goed is vastgemaakt.

Om de rug van de rolstoel te verwijderen:

1. Draai de bovenste sterknoppen los.
2. Trek de rug naar boven uit de vier haken ① + ②.

2.8 Plaatsen of verwijderen van de hoofdsteun

- ⚠ **VOORZICHTIG:** Gevaar voor letsel – Controleer dat de hoofdsteun goed is vastgemaakt voor de rolstoel te gebruiken.



De hoofdsteun van de rolstoel kan worden gemonteerd met volgende instructies:

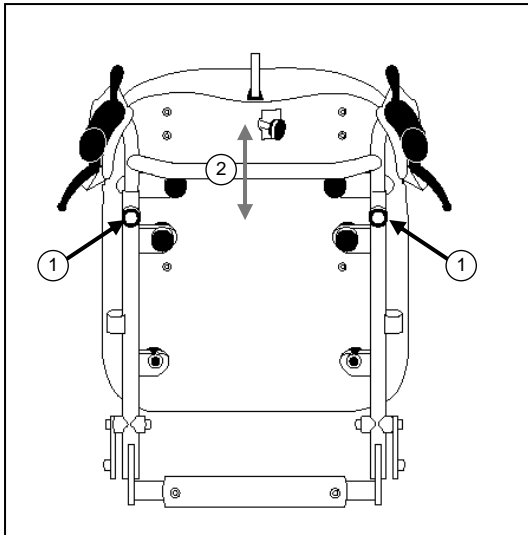
1. Monteer de hoofdsteun in de buis ①.
2. Draai aan de sterknop ② om deze handvast aan te draaien.
3. Controleer dat de hoofdsteun goed is vastgemaakt.

Om de hoofdsteun van de rolstoel te verwijderen:

1. Draai de sterknop ② los.
2. Trek de hoofdsteun naar boven uit de buis ①.

2.9 Verstellen van de handgrepen

- ⚠ **VOORZICHTIG:** Gevaar voor letsel – Controleer dat de handgrepen goed zijn vastgemaakt voor de rolstoel te gebruiken.
- ⚠ **VOORZICHTIG:** Kantelgevaar – Respecteer de maximum hoogteverstelling van de handgrepen anders kan er stabiliteitsgevaar zijn voor Uw rolstoel. Gebruik enkel de laatste inkeping in de buizen van de handgrepen.



De handgrepen kunnen volgens de grootte van de begeleider in de hoogte worden veresteld. De handgrepen kunnen met volgende instructies worden veresteld:

1. Draai de sterknoppen ① aan beide zijden los.
2. Zet de handgrepen in de gewenste hoogte voor de begeleider.
3. Draai de sterknoppen ① aan beide zijden terug goed vast.
4. Controleer dat de handgrepen terug goed zijn vastgemaakt.

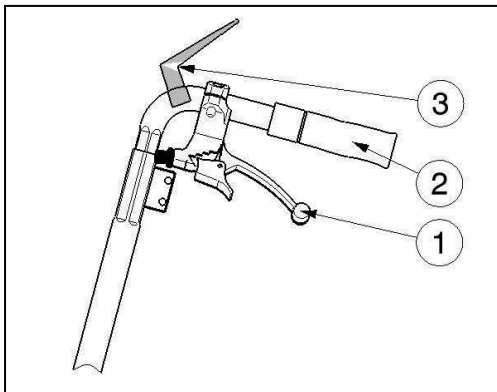
2.10 Verstellen rug / zitinclinatie

⚠ WAARSCHUWING: Kantelgevaar – Denk eraan dat de stabiliteit afneemt als de rug naar achteren wordt gekanteld.

⚠ WAARSCHUWING: Gevaar voor letsel – Zorg ervoor dat de remmen van de rolstoel aangetrokken zijn voordat U de rug en zit inclinatie veresteld.

Alleen een begeleider kan de hoek van de zit en de rug gelijktijdig en onafhankelijk van elkaar verstellen. Zorg ervoor dat de patiënt in de rolstoel zit als de begeleider de rug, zit inclinatie veresteld en dat de rolstoel niet achterover kantelt.

Inclinatie van de zit:



1. Trek de hendel ① aan de linkse kant (zie aanduiding) naar de handgreep ② om de zit inclinatie te verstellen.

Aanduiding



2. Trek/duw de zit in de gewenste positie (-5° tot 15°), de gasdrukveer wordt in/uit gedrukt.
3. Laat de hendel ① los om de gasdrukveer te blokkeren.

Rugverstelling:

1. Trek de hendel ① aan de rechtse kant (zie aanduiding) naar de handgreep ② om de rughoek te verstellen.

Aanduiding



2. Trek/duw de hoek in de gewenste positie (-5° tot 50°), de gasdrukveer wordt in/uit gedrukt.
3. Laat de hendel ① los om de gasdrukveer te blokkeren.

Als de rolstoel trommelremmen heeft; dan worden de hendels ① als remmen gebruikt; extra hendels ③ zijn gemonteerd om de rughoek en zitinclinatie te verstellen. Deze hendels ③ kunnen met de duimen worden bediend.

2.11 Transfer in en uit de rolstoel

- ⚠ **VOORZICHTIG:** Indien U de transfer niet veilig op eigen kracht kan uitvoeren, vraag dan hulp van iemand anders.
- ⚠ **VOORZICHTIG:** Kans op kantelen van de rolstoel - Niet op de voetplaten staan.
 1. Plaats de rolstoel zo dicht mogelijk bij de stoel, zetel of bed van/naar waar U zich wilt verplaatsen.
 2. Zorg dat beide remmen van de rolstoel aan staan.
 3. Vouw de voetplaten naar boven zodat U er niet op gaat staan.
 4. Indien U zich langs de zijkant in of uit de rolstoel wilt verplaatsen, is het mogelijk om de armsteun en/of de voetsteun aan deze kant te verwijderen.
 5. Verplaats U van of naar de rolstoel.

2.12 Correcte positie in de rolstoel

Enkele aanbevelingen om comfortabel van Uw rolstoel gebruik te maken:

- Plaats Uw zitvlak zo dicht mogelijk bij de rug.
- Zorg dat Uw bovenbenen horizontaal zijn – Stel eventueel de lengte van de voetsteunen bij. (zie § 3.8.2).

2.13 Rijden met de rolstoel

- ⚠ **WAARSCHUWING:** Kans op knellen – Houd Uw vingers niet tussen de spaken.
- ⚠ **WAARSCHUWING:** Kans op knellen – Let op wanneer U door nauwe doorgangen, zoals deuren, rijdt.
- ⚠ **WAARSCHUWING:** Gevaar voor brandwonden– Wees voorzichtig bij het rijden in extreem warme of koude omgevingen (zon, extreme koude, sauna's, enz.) voor een bepaalde tijd en bij het aanraken - de oppervlakken kunnen de omgevingstemperatuur aannemen.
 1. Zet de remmen los.
 2. Neem de aandrijfhoepels aan de bovenzijde vast.
 3. Leun voorwaarts en draai de hoepels naar voor tot Uw armen gestrekt zijn.
 4. Breng Uw handen terug naar de bovenzijde van de hoepels en herhaal de beweging.

2.14 Rijden met de rolstoel met de hulp van een begeleider

- ⚠ **WAARSCHUWING:** Kans op knellen – Let op wanneer U door nauwe doorgangen, zoals deuren, rijdt.
- ⚠ **WAARSCHUWING:** Gevaar voor brandwonden– Wees voorzichtig bij het rijden in extreem warme of koude omgevingen (zon, extreme koude, sauna's, enz.) voor een bepaalde tijd en bij het aanraken - de oppervlakken kunnen de omgevingstemperatuur aannemen.

De rolstoel kan worden voortgeduwd met de hulp van een begeleider via de hangrepen of duwbeugel.

2.15 Rijden op hellingen

- ⚠ **WAARSCHUWING:** Houd Uw snelheid onder controle – Neem hellingen steeds met de laagst mogelijke snelheid.
- ⚠ **WAARSCHUWING:** Houd rekening met de capaciteiten van Uw begeleider – Blokkeer de rem van zodra U merkt dat Uw begeleider onvoldoende kracht heeft om de rolstoel onder controle te houden.
- ⚠ **WAARSCHUWING:** Kans op kantelen – Leun voorover om Uw zwaartepunt naar voor te verplaatsen. Zo kan de stabiliteit beter behouden blijven.

1. Bevestig de veiligheidsgordel, als de rolstoel hiermee uitgerust is.
2. Neem geen te steile helling. De maximale hoek bergop en bergaf staan in tabel 1 vermeld.
3. Vraag een begeleider om U te helpen bij het nemen van de helling.
4. Buig lichtjes voorover om Uw zwaartepunt naar voren te verplaatsen.

2.16 Nemen van hindernissen (trottoirs)

- ⚠ **WAARSCHUWING:** Gevaar voor letsel – Het transporteren van de patiënt over trappen/treden moet minstens met twee personen gebeuren.
- ⚠ **WAARSCHUWING:** Gevaar voor letsel – Draag aangepaste veiligheidsgordels tijdens het transporteren (meer informatie krijgt U bij de vakhandelaar).
- ⚠ **WAARSCHUWING:** Gevaar voor letsel – Blijf tijdens het transport rustig in de rolstoel zitten en vermijd plotse bewegingen. Wanneer U door Uw ziekte of handicap niet rustig in de stoel kunt blijven zitten (bijvoorbeeld lichte spasmen), zijn minstens twee extra personen nodig die bij het transport de rolstoel opzij aan het frame vasthouden.
- ⚠ **WAARSCHUWING:** Gevaar voor letsel – Tijdens het transport dient U erop te letten dat Uw armen en benen in de rolstoel blijven.
- ⚠ **WAARSCHUWING:** Gevaar voor letsel of beschadigingen – Tijdens het transport mogen zich geen personen of voorwerpen onder de rolstoel bevinden.
- ⚠ **WAARSCHUWING:** Gevaar op letsel – Wanneer U de voetsteunen verwijdert, zijn de benen van de patiënt niet meer beschermd.

2.16.1 Afrijden van trottoirs

Het afrijden van een trottoir kan voorwaarts gedaan worden met de hulp van een begeleider:

1. Controleer dat de handgrepen goed zijn vastgemaakt.
2. Verwijder de voetsteunen.
3. Vraag de begeleider om de rolstoel zachtjes met behulp van de trapdop naar achteren te kantelen.
4. De trottoir kan nu met de achterwielen worden afgereden door de rolstoel naar voren te duwen.
5. Laat een tweede persoon voor de rolstoel plaats nemen en het voorste frame vastnemen, nadat de voetsteunen zijn verwijderd. Nu moet hij achterwaarts gaan.
6. Zet de rolstoel terug op de vier wielen na het nemen van de hindernis.

2.16.2 Oprijden van trottoirs

Het oprijden van een trottoir kan achterwaarts gedaan worden met de hulp van een begeleider:

1. Controleer dat de handgrepen goed zijn vastgemaakt.
2. Verwijder de voetsteunen.
3. Draai de rolstoel met de achterwielen naar het trottoir toe.
4. Leun een beetje achterover en breng het zwaartepunt boven de achterwielen.
5. Laat de begeleider de rolstoel op het trottoir trekken.
6. Laat een tweede persoon voor de rolstoel plaats nemen en het voorste frame vastnemen, nadat de voetsteunen zijn verwijderd. Nu moet hij voorwaarts gaan.
7. Neem Uw normale positie in de rolstoel terug aan.

2.16.3 Nemen van trappen

- ⚠ **WAARSCHUWING:** Kantelgevaar – Voor het nemen van trappen zijn altijd 2 begeleiders nodig.
- ⚠ **WAARSCHUWING:** Gevaar voor letsel – De rolstoel mag niet worden opgetild terwijl de patiënt in de rolstoel zit! Houd de achterwielen altijd op de grond/trappen.
- ⚠ **WAARSCHUWING:** Gevaar voor letsel – Draag aangepaste veiligheidsgordels tijdens het transporteren (meer informatie krijgt U bij de vakhandelaar).
- ⚠ **WAARSCHUWING:** Gevaar voor letsel of beschadigingen – Tijdens het transport mogen zich geen personen of voorwerpen onder de rolstoel bevinden.
- ⚠ **WAARSCHUWING:** Gevaar op letsel – Wanneer U de voetsteunen verwijdert, zijn de benen van de patiënt niet meer beschermd.

Om de rolstoel op/over trappen te bewegen kan U gebruik maken van onderstaande instructies:

1. Verwijder de voetsteunen.
2. Laat één begeleider de rolstoel lichtjes naar achteren kantelen.
3. De andere begeleider neemt het frame aan de voorzijde vast.
4. Blijf rustig zitten, vermijd plotselinge bewegingen en houd Uw armen binnen de rolstoel.
5. Laat de rolstoel op de achterwielen de treden nemen.
6. Monteer de voetsteunen na de hindernis.

2.16.4 Gebruik van oprijplaten

- ⚠ **WAARSCHUWING:** Gevaar voor letsel – Overschrijd de maximale belasting van de oprijplaten niet.
- ⚠ **WAARSCHUWING:** Gevaar voor letsel – Kies de correcte oprijplaten zodat er geen letsel of schade kan veroorzaakt worden. Voor letsels of schade door de onoordeelkundige keuze van oprijplaten zijn wij niet aansprakelijk.
- ⚠ **WAARSCHUWING:** Zorg ervoor dat de wielhoogte hoog genoeg is om over de vrije hoogte van de oprijplaten te geraken. Het frame van de rolstoel mag niet tegen de oprijplaten komen.
- ⚠ **WAARSCHUWING:** Gebruik een veiligheidsgordel om veilig in de rolstoel te blijven zitten.
- ⚠ **WAARSCHUWING:** Zet de verstelfuncties (zit, rug, voetsteunen, ...) zo dat de rolstoel de beste stabiliteit heeft.

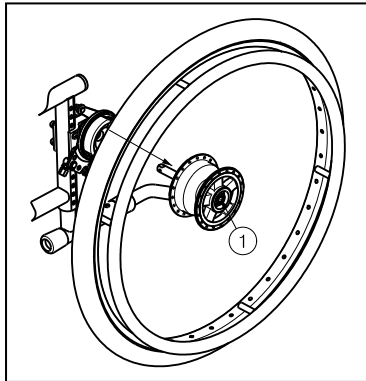
Wanneer U voor het nemen van hindernissen oprijplaten wenst te gebruiken, dient U rekening te houden met volgende tips:

Wegens het hoge gewicht van de rolstoel zelf probeert U beter niet om op eigen kracht een helling op te rijden. U loopt dan immers het risico dat de rolstoel achteruit rolt.

Neem een helling alleen met de hulp van een begeleider, die duwt U dan op de oprijplaten.

2.17 Verwijderen van de wielen

Om het transport van de rolstoel te vergemakkelijken, kunnen de achterwielen worden verwijderd:



1. Zorg ervoor dat de remmen afstaan.
2. Neem de rolstoel vast aan het frame aan de zijde waar U het wiel wil afnemen.
3. Druk op de knop ① in het midden van de naaf van het wiel.
4. Trek het wiel van het frame weg.

2.18 Transport in de auto

- ⚠ **GEVAAR:** Gevaar voor letsel – De rolstoel is niet geschikt om te gebruiken als een zit in een motorvoertuig.
- ⚠ **WAARSCHUWING:** Gevaar voor letsel – Zorg ervoor dat de rolstoel voldoende vastgemaakt is, om verwonding van de inzittenden tijdens aanrijding of plots remmen te voorkomen.
- ⚠ **WAARSCHUWING:** Gevaar voor letsel – Gebruik voor het vastmaken van de rolstoel en de passagiers **NOOIT** dezelfde gordel.

Gebruik de rolstoel nooit als een zit in een auto of ander voertuig. De rolstoel wordt gemarkeerd met het volgende symbool:



Om de rolstoel in de auto te transporteren:

1. Zet de zit in horizontale en de rug in verticale positie.
2. Verwijder voetsteunen, armsteunen en accessoires (bv. hoofdsteun, ...).
3. Berg de voetsteunen, armsteunen en accessoires veilig op.
4. Indien mogelijk, vouw de rolstoel op en verwijder de wielen.
5. Plaats de rolstoel in de bagageruimte met 2 personen.
6. Indien de rolstoel en de passagiersruimte **NIET** gescheiden zijn, sjoer het frame van de rolstoel goed vast aan het voertuig. U kunt hiervoor gebruik maken van de veiligheidsgordels die in het voertuig aanwezig zijn.
7. Plaats de patiënt in de voorziene beschikbare autozetel met behulp van de veiligheidsgordel.

3 Montage en instellingen

De in dit hoofdstuk beschreven instructies zijn bestemd voor de vakhandelaar.

De Vermeiren multi-functionele rolstoelen EZ1 zijn voor Uw volledige comfort ontworpen. Deze rolstoel biedt verschillende aanpassingsmogelijkheden die verder in dit document worden behandeld.

Om een servicepunt of vakhandelaar in Uw buurt te vinden, neemt U contact op met de dichtstbijzijnde Vermeiren faciliteit. Een lijst van de Vermeiren faciliteiten zijn terug te vinden op de laatste bladzijde.

- ⚠ **WAARSCHUWING: Risico bij onveilige instellingen - Gebruik enkel de instellingen beschreven in deze handleiding.**
- ⚠ **WAARSCHUWING: Variaties van de toelaatbare instellingen kunnen de stabiliteit van Uw rolstoel beïnvloeden (naar achteren of op zij kantelen).**

3.1 Gereedschap

Om Uw rolstoel op te bouwen is het volgende gereedschap nodig:

- Steek-/ringsleutel set n° 10 tot n° 19
- Inbussleutel set n° 4 tot n° 5

3.2 Leveringsomvang

De Vermeiren EZ1 wordt geleverd met:

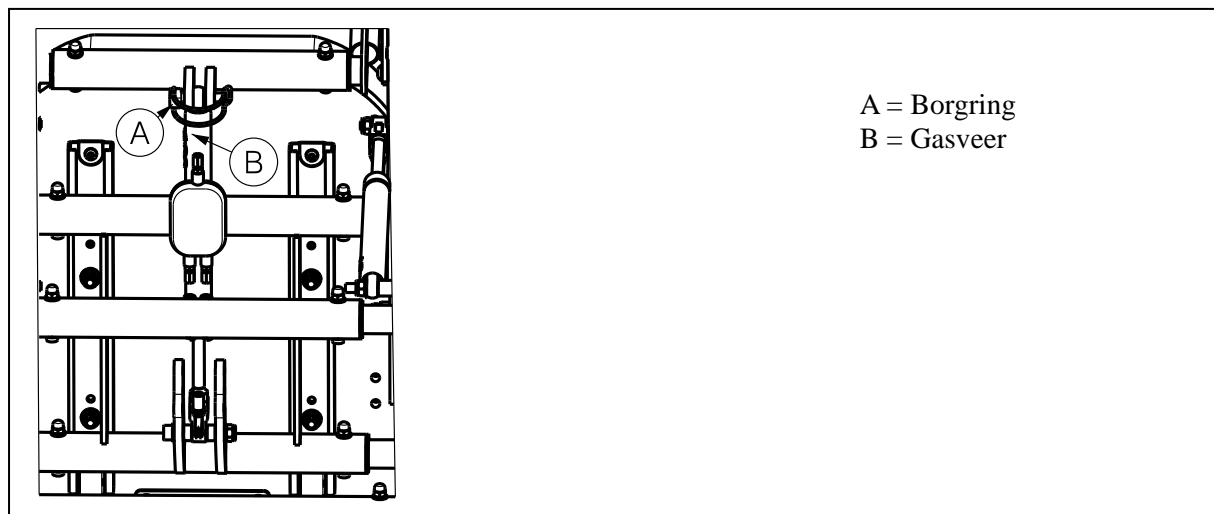
- 1 frame gemonteerd met armsteunen, achter- en voorwielen
- 1 paar voetsteunen
- Anatomische zit (vast)
- Anatomische rug (vast)
- Gereedschap
- Handleiding
- Accessoires

U dient bij ontvangst de volledigheid en goede werking van de geleverde rolstoel te controleren.

U kunt alleen een beroep doen op garantie wanneer de fabrikant (leverancier) binnen een termijn van twee weken schriftelijk op de hoogte wordt gesteld. Voor verborgen gebreken kunt U alleen een beroep doen op de garantie wanneer de fabrikant (leverancier) binnen een termijn van twee weken na ontdekking schriftelijk op de hoogte wordt gesteld.

3.3 Monteren van het frame

- ⚠ **WAARSCHUWING: Kans op klemmen – Zorg ervoor dat geen kabels gekneld geraten.**
- ⚠ **WAARSCHUWING: Kans op letsel – Zorg ervoor dat de borgring Ⓐ op de pen vast zit.**

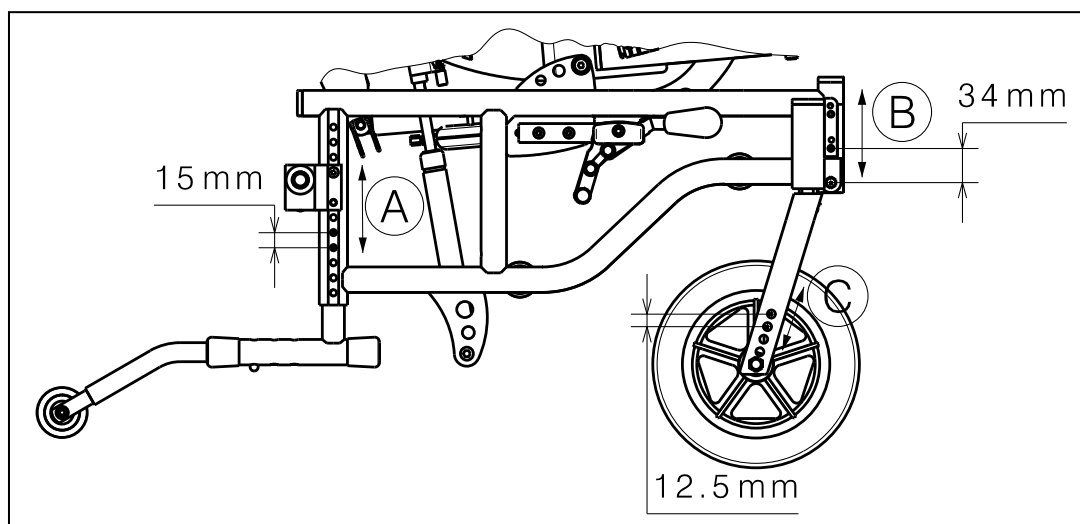


Monteren van het frame nadat U de rolstoel uit de originele verpakking hebt gehaald:

1. Plaats de rug in de 90°-positie.
2. Plaats de borgring Ⓐ in de betreffende houder om de gasdrukveer Ⓑ, die aan de achterzijde juist onder de zit wordt vastgemaakt.

3.4 Zithoogte instellen

- ⚠ **WAARSCHUWING:** Gevaar voor letsel – Zorg ervoor dat alle schroeven veilig en goed zijn aangedraaid. Controleer dat de schroeven niet beschadigd zijn.
- ⚠ **WAARSCHUWING:** Gevaar voor letsel – Zelfborgende moeren mogen maar één keer worden gebruikt.
- ⚠ **WAARSCHUWING:** Gevaar voor letsel – Vermijd dat Uw vingers gekneld raken tijdens het monteren.
- ⚠ **WAARSCHUWING:** Kantelgevaar – Zorg ervoor dat het zitframe niet met een inclinatie wordt gepositioneerd bij het verstellen van de zithoogte.

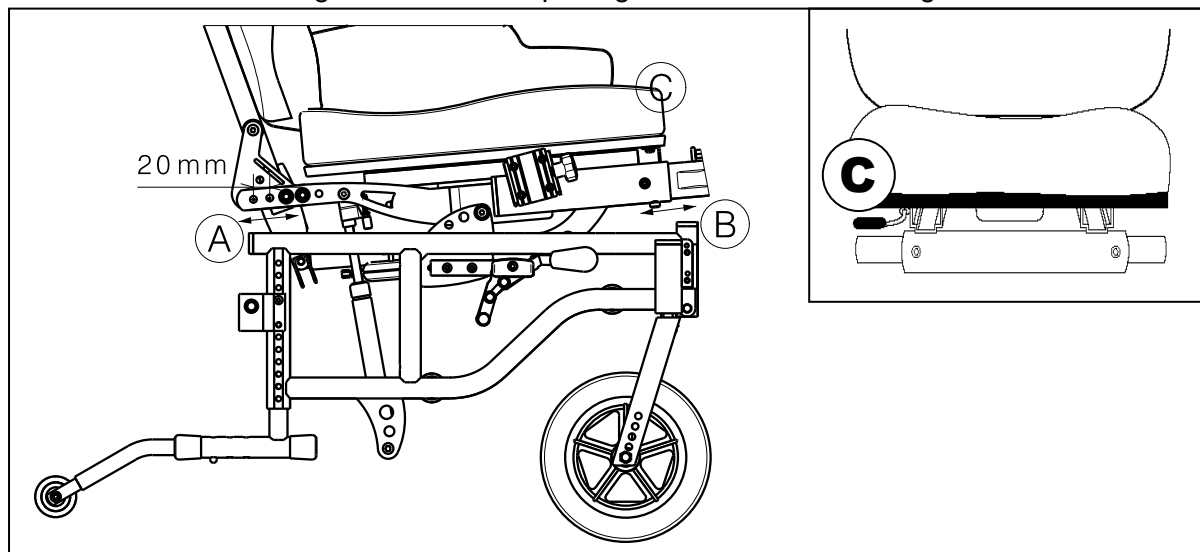


- A** **Asblok aandrijfwielen**
1. Maak de twee bouten die het asblok van de aandrijfwielen en het frame verbinden los.
 2. Beweeg de asblok tot de gewenste hoogte is bereikt (stappen van 15 mm).
 3. Maak de twee bouten terug vast.
 4. Verstel de remmen.
- B** **Vorkashouder**
1. Draai de twee bouten van de vorkashouder los.
 2. Plaats de vorkashouder in de gewenste positie (2 posities: stappen van 34 mm).
 3. Draai de schroeven goed vast.
- C** **Voorvork**
1. Draai de bouten van de voorwielassen los van de voorvork.
 2. Plaats het stuurwiel in de gewenste positie van de voorvork (stappen van 12,5 mm).
 3. Draai de schroeven goed vast.

3.5 Zitdiepte instellen

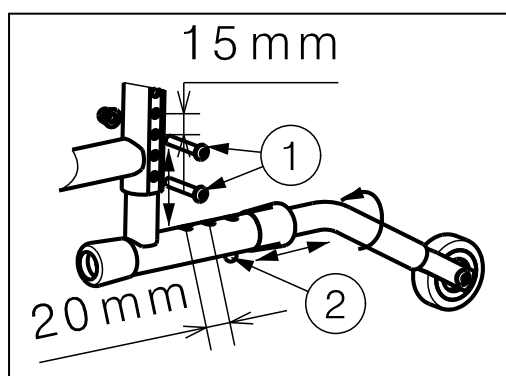
- ⚠ **WAARSCHUWING:** Gevaar voor letsel – Zorg ervoor dat alle schroeven veilig en goed zijn aangedraaid. Controleer dat de schroeven niet beschadigd zijn.
- ⚠ **WAARSCHUWING:** Gevaar voor letsel – Zelfborgende moeren mogen maar één keer worden gebruikt.
- ⚠ **WAARSCHUWING:** Gevaar voor letsel – Vermijd dat Uw vingers gekneld raken tijdens het monteren.

Als de zitdiepte bij het rugframe wordt veresteld, verandert het tillen van de gasdrukveer voor het verstellen van de rug en kan er een opening ontstaan tussen de rug en de zit.



- A**
1. Maak de schroeven, waarmee het rugframe met het zitframe is gemonteerd, aan beide zijden los.
 2. Beweeg het rugframe in de gewenste positie (4 posities: stappen van 20 mm).
 3. Draai de schroeven aan beide kanten terug goed vast.
 4. Verstel de remmen.
- B**
1. Maak de schroef, waarmee de voetsteunen aan het zitframe zijn gemonteerd, los.
 2. Beweeg de buizen van de voetsteunen in de gewenste positie (traploos).
 3. Draai de schroeven terug goed vast.
- C**
1. Trek de hendel om het zitframe te bewegen naar boven. Deze hendel bevindt zich juist onder de zit.
 2. Beweeg de zit tot de gewenste positie (traploos).
 3. Laat de hendel terug los. De zit wordt in de juiste positie geblokkeerd.

3.6 Verstellen van anti-tipping



Zorg ervoor dat de anti-tipping in de juiste positie wordt geplaatst, om kanteling van de rolstoel te voorkomen.

3.6.1 Hoogte instelling

1. Draai de schroeven ① los.
2. Verplaats de anti-tipping tot de gewenste positie.
3. Draai de schroeven ① terug goed vast.

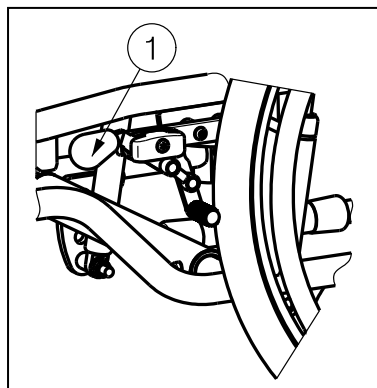
3.6.2 Diepte instelling

1. Druk op de veerknop ②.
2. Verplaats de anti-tipping tot de gewenste positie (3 mogelijke posities).
3. Laat de veerknop ① terug los.
4. Controleer dat de veerknop ① terug goed is vastgeklikt in de boring.

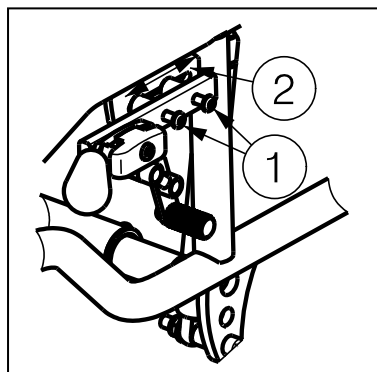
3.7 Afstellen van de remmen

⚠ WAARSCHUWING: Gevaar voor letsel – Laat de remmen afstellen door een erkend vakhandelaar.

Het afstellen van de remmen doet U als volgt:



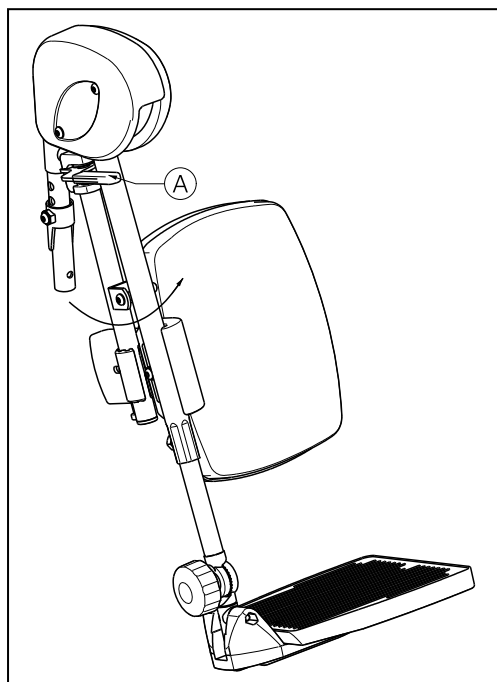
1. Monteer de wielen zoals beschreven in § 2.2.
2. Zet de remmen los door hendel ① naar achteren te trekken.



3. Maak de bouten ① los zodat het remmechanisme over de geleiding kan schuiven ②.
4. Schuif het remmechanisme over de geleiding ② tot de gewenste positie.
5. Maak de bouten ① terug vast.
6. Controleer de werking van de remmen.
7. Indien nodig herhaal voorgaande stappen tot de remmen goed afgesteld staan.

3.8 Instellen van de voetsteunen

3.8.1 Hoek van de voetsteunen



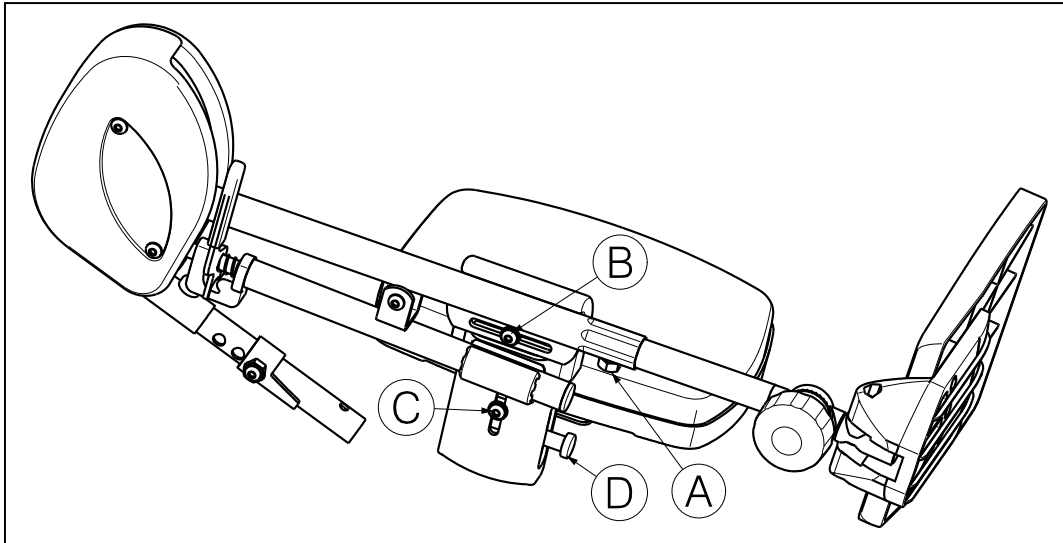
Om de voetsteun onder een hoek naar boven te zetten:

1. Hef de voetsteun naar boven.
2. Laat de voetsteun los, automatisch blokkeert deze in de gewenste hoek (tot 113°).

Om de voetsteun naar beneden te zetten:

1. Trek de hendel ① naar boven.
2. Plaats de voetsteun in de gewenste positie.
3. Laat de hendel ① terug los.

3.8.2 Lengte van de voetsteunen



⚠ **VOORZICHTIG:** Gevaar voor letsel – Controleer dat beide voetsteunen op een identieke positie worden geplaatst.

⚠ **VOORZICHTIG:** Zorg er voor dat de voetplaten niet over de grond slepen. Houd een minimum afstand van 60 mm tot de grond aan.

Stel de lengte van de voetsteunen als volgt in:

1. Draai de schroef ① los.
2. Stel de lengte van de voetsteun op een comfortabele lengte in (bereik 140 mm: traploos).
3. Draai de schroef ① terug goed vast.

3.8.3 Hoogte van de beensteunen

Stel de hoogte van de beensteunen als volgt in:

1. Draai de schroef ② los.
2. Stel de hoogte van de beensteun op een comfortabele positie in (bereik 50 mm: traploos).
3. Draai de schroef ② terug goed vast.

3.8.4 Diepte van de beensteunen

Stel de diepte van de beensteunen als volgt in:

1. Draai de schroef ③ los.
2. Stel de diepte van de beensteun op een comfortabele positie in (bereik 40 mm: traploos).
3. Draai de schroef ③ terug goed vast.

3.8.5 Breedte van de beensteunen

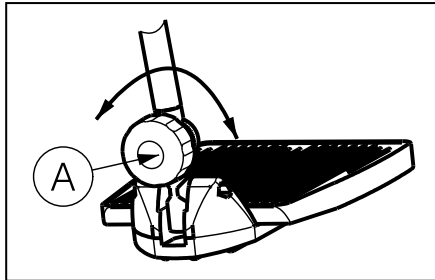
Stel de breedte van de beensteunen als volgt in:

1. Draai de 2 schroeven, aan de achterkant van het kussen van de beensteun, los.
2. Stel de breedte van de beensteun op een comfortabele positie in.
3. Draai de schroeven goed vast.

3.8.6 Opvouwen van de beensteunen

1. Duw op knop ④.
2. Vouw de beensteun op.
3. Laat de knop ④ terug los.

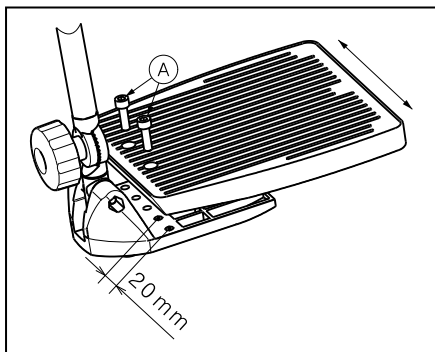
3.8.7 Hoek van de voetplaten



Om de hoek van de voetplaten te verstellen gaat U als volgt te werk:

1. Draai de zwarte sterknop ① los.
2. Draai de voetplaat tot de gewenste hoek.
3. Draai de sterknop ① terug handvast aan.

3.8.8 Diepte van de voetplaat



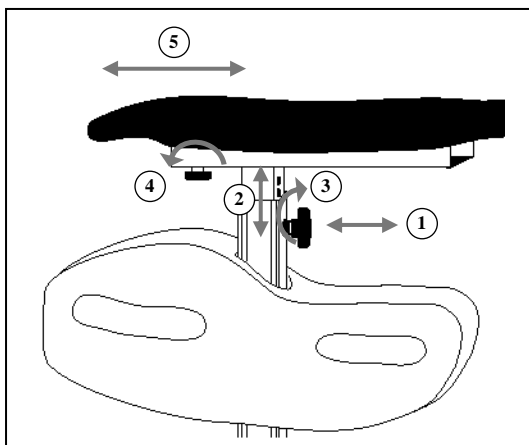
Om de diepte van de voetplaat te verstellen gaat U als volgt te werk:

1. Verwijder de twee schroeven ① van de voetplaat.
2. Verstel de diepte van de voetplaat tot een comfortabele positie (drie mogelijke posities).
3. Draai de schroeven ① terug handvast aan.

3.9 Afstellen van de armleggers

⚠ VOORZICHTIG: Gevaar voor letsel – Controleer dat beide armleggers op een identieke positie worden geplaatst.

3.9.1 Hoogte van de armlegger



Om de hoogte van de armlegger in te stellen:

1. Trek de borgschroef ① uit.
2. Trek of duw de armlegger in de gewenste positie ②.
3. Laat de borgschroef ① los.
4. Draai de sterknop ③ handvast aan in wijzerszin.
5. Controleer dat de armlegger terug goed is vastgemaakt.

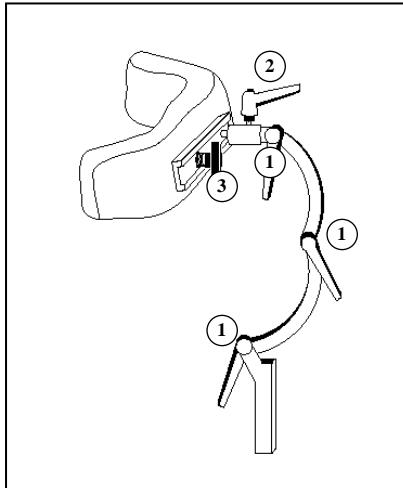
3.9.2 Diepte van de armlegger

Om de diepte van de armlegger in te stellen:

1. Maak de borgschroef ④ juist onder de armlegger los.
2. Beweeg de armlegger naar de gewenste positie ⑤.
3. Draai de borgschroef ④ weer handvast aan.

3.10 Instellen van de hoofdsteen

- ⚠ **WAARSCHUWING:** Gevaar voor letsel – Zorg ervoor dat alle schroeven veilig en goed zijn aangedraaid.
- ⚠ **WAARSCHUWING:** Gevaar voor ergonomisch letsel – Zorg ervoor dat de hoofdsteen aan de houding van de patiënt is aangepast en dat er geen druk of spanning wordt uitgeoefend.



3.10.1 Hoogte en diepte van de hoofdsteen

Om de hoogte en diepte van de hoofdsteen in te stellen:

1. Maak de hendels ① los.
2. Verstel de hoofdsteen in de gewenste positie.
3. Draai de hendels ① weer handvast aan.

3.10.2 Roteren van het kussen

Het kussen van de hoofdsteen kan over 360° worden gedraaid:

1. Maak de hendel ② los.
2. Draai het kussen tot de gewenste positie.
3. Draai de hendel ② weer handvast aan.

3.10.3 Diepte instellen van het kussen van de hoofdsteen

Het kussen van de hoofdsteen kan zijdelings worden aangepast:

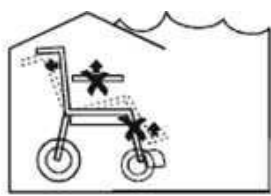
1. Draai de sterknop ③ los.
2. Verstel het kussen van de hoofdsteen in de gewenste positie.
3. Draai de sterknop ③ terug goed vast met de hand.

4 Onderhoud


Voor de onderhoudshandleiding van de rolstoelen kan U de website van Vermeiren raadplegen: www.vermeiren.be.

5 Clusteromschrijvingen

De EZ1 met 12,5 inch achterwielen voldoen voor:

	<p>Semi-actief Duwen/ Kantelbaar</p> <p>sADK</p>	<p>Duwwandelwagen bedoeld voor gebruik in en om het huis en op straat. De begeleider kan het zitgedeelte kantelen om de zithouding van de gebruiker te variëren. De rughoek is in- of verstelbaar. De armsteunen en beensteunen zijn instelbaar. De armsteunen en beensteunen kunnen door de begeleider worden weggenomen voor een transfer. De rolstoel is verkleinbaar.</p>
---	--	---

De EZ1 met 22 of 24 inch achterwielen voldoen voor:

	<p>Semi-actief Duwen/ Hoepelen Kantelbaar</p> <p>sAHK</p>	<p>Hoepelrolstoel voor gebruik in en om huis en op straat. De rolstoel is uitgevoerd met duwhandvatten en kiepvoorziening voor het duwen. De begeleider kan het zitgedeelte kantelen om de zithouding te variëren. De rughoek is in- of verstelbaar. De armsteunen en de beensteunen kunnen door de gebruiker worden weggenomen voor transfer. De rolstoel is verkleinbaar.</p>
---	--	---



Inhalt	
Vorwort	2
1 Produktbeschreibung	3
1.1 Verwendungszweck	3
1.2 Technische Daten	4
1.3 Komponenten	5
1.4 Zubehör	5
1.5 Zeichenerklärung	5
1.6 Für Ihre Sicherheit	6
2 Verwendung	7
2.1 Transportieren des Rollstuhls	7
2.2 Montage der Hinterräder	7
2.3 An- oder Abbauen der Fußstützen	7
2.4 Betätigen der Bremsen	8
2.5 An- oder Abbauen der Armlehnen	8
2.6 An-/Abbauen des Sitzpolsters	9
2.7 An- oder Abbauen der Rückenlehne	9
2.8 An-/Abbauen der Kopfstütze	9
2.9 Einstellen der Handgriffe	9
2.10 Einstellen der Rückenlehne / Sitzneigung	10
2.11 Setzen in den Rollstuhl	11
2.12 Prüfen Sie, ob die Sitzposition korrekt ist	11
2.13 Fahren mit dem Rollstuhl	11
2.14 Fahren des Rollstuhls mit einer Begleitperson	11
2.15 Bewegen an Steigungen	12
2.16 Überwinden von Stufen und Bordsteinen	12
2.17 Abnehmen der Hinterräder	14
2.18 Transport in einem Kraftfahrzeug	14
3 Zusammenbau und Einstellung	15
3.1 Werkzeuge	15
3.2 Lieferumfang	15
3.3 Anbauen des Rahmens	15
3.4 Einstellen der Sitzhöhe	16
3.5 Einstellen der Sitztiefe	17
3.6 Einstellen des Kippschutzes	18
3.7 Einstellen der Bremsen	18
3.8 Einstellen der Fußstützen	19
3.9 Einstellen des Armpolsters	21
3.10 Einstellen der Kopfstütze	21
4 Wartung	22



Vorwort

Zuerst möchten wir uns für das Vertrauen bedanken, das Sie in uns gesetzt haben, indem Sie sich für einen unserer Rollstühle entschieden haben.

Die Vermeiren-Rollstühle sind das Ergebnis langjähriger Forschung und Erfahrung. In der Entwicklungsphase wurde besonderer Wert auf Bedienerfreundlichkeit und leichte Wartung des Rollstuhls gelegt.

Die zu erwartende Lebensdauer Ihres Rollstuhls hängt stark von der Wartung und Pflege ab, die für den Rollstuhl aufgewendet wird.

Diese Bedienungsanleitung soll Ihnen helfen, sich mit der Benutzung Ihres Rollstuhls vertraut zu machen.

Das Befolgen der Bedienungsanleitung und der Wartungshinweises bildet einen wesentlichen Teil der Gewährleistungsbedingungen.

Diese Bedienungsanleitung spiegelt die neuesten Produktentwicklungen wider. Das Unternehmen Vermeiren behält sich jedoch das Recht vor, Änderungen vorzunehmen. Dabei besteht keine Verpflichtung, die früher ausgelieferten Modelle anzupassen oder zu ersetzen.

Sollten Sie weitere Fragen haben, so wenden Sie sich bitte an Ihren Fachhändler.

1 Produktbeschreibung

1.1 Verwendungszweck

Der Rollstuhl ist ausschließlich für den Transport von gehbehinderten oder gehunfähigen Menschen vorgesehen.

In dem Rollstuhl kann eine Person transportiert werden.

Der Rollstuhl kann im Innen- als auch eingeschränkt im Außenbereich eingesetzt werden.

Der Rollstuhlfahrer kann den Rollstuhl entweder selbst antreiben oder von einer zweiten Person geschoben werden.

Die Vielfalt an Ausstattungs- und Zubehörvarianten sowie die modulare Bauweise erlauben den Transport eines Menschen bei Gehbehinderung/Gehunfähigkeit aufgrund von:

- Lähmungen
- Gliedmaßenverlust (Beinamputation)
- Gliedmaßendefekt oder -deformation
- Gelenkkontrakturen oder -schäden
- Herzkrankheiten oder schwachem Blutkreislauf
- Gleichgewichtsstörungen
- Kachexie (Muskelschwund)
- und für ältere Menschen.

Bei der individuellen Versorgung sind außerdem:

- Körpergröße und -gewicht (max. 150 kg)
- Körperlicher und geistiger Zustand
- Wohnverhältnisse
- Umgebung

zu beachten.

Ihr Rollstuhl darf nur auf Flächen verwendet werden, auf denen alle vier Räder den Boden berühren und ausreichend Kontakt vorhanden ist, um die Räder gleichmäßig anzutreiben.

Die Verwendung der Rollstuhl auf unebenen Flächen (Pflastersteinen usw.), Abhängen, Kurven sowie das Umfahren von Hindernissen (Bordsteinen usw.) muss geübt werden.

Der Rollstuhl darf nicht als Leiter oder als Transportmittel für schwere oder heiße Objekte verwendet werden.

Wird der Rollstuhl auf Matten, Auslegeware oder Teppichböden verwendet, könnten diese Bodenbeläge beschädigt werden.

Verwenden Sie ausschließlich von Vermeiren genehmigtes Zubehör.


Für Schäden durch nicht oder mangelhaft durchgeführte Wartung oder durch Nichtbeachtung der folgenden Anweisungen übernimmt der Hersteller keine Haftung.

Das Befolgen der Bedienungsanleitung und der Wartungshinweise bildet einen wesentlichen Teil der Garantiebedingungen.

Sehbehinderte können sich zur Erläuterung der Bedienungsanleitung an den Händler wenden.

1.2 Technische Daten

Die im Folgenden aufgeführten technischen Daten gelten für einen Elektrorollstuhl in der Standardkonfiguration mit 22"-Hinterrädern. Wurden eine Fußstützen und/oder eine Armlehnen oder anderes Zubehör montiert, ändern sich die in der Tabelle aufgeführten Werte.

Hersteller	Vermeiren							
Adresse	Vermeirenplein 1/15, B-2920 Kalmthout							
Typ	Manueller Multifunktionsrollstuhl							
Modell	EZ1							
Max. zulässiges Gewicht des Rollstuhlfahrers	150 kg							
Beschreibung	Abmessungen							
Effektive Sitzbreite	390 mm	420 mm	450 mm	480 mm	510 mm	540 mm	570 mm	
Gesamtbreite (abhängig von der Sitzbreite)	600 mm	630 mm	660 mm	690 mm	720 mm	750 mm	780 mm	
Rückenlehnenhöhe	500 mm 600 mm	600 mm	500 mm 600 mm	600 mm	500 mm 600 mm	600 mm		
Beschreibung	Abmessungen Min.			Abmessungen Max.				
Gesamtlänge mit Fußstütze	1116 mm			1122 mm				
Länge zusammengeklappt	790 mm							
Breite zusammengeklappt	700 mm							
Höhe zusammengeklappt	980 mm							
Gesamtgewicht	± 43,45 kg							
Gewicht des schwersten Teils	23,80 kg							
Gewichte von Teilen, die demontierbar oder abnehmbar sind	Fußstützen: 6,20 kg; Armlehnen: 3,00 kg; Hinterräder: 4,15 kg; Sitzkissen: 1,5 kg; Kopfstütze: 1,35 kg							
Statische Stabilität, bergab	10° (in der Standardkonfiguration)							
Statische Stabilität, bergauf	10° (in der Standardkonfiguration)							
Statische Stabilität, seitwärts	10° (in der Standardkonfiguration)							
Überfahren von Hindernissen	60 mm							
Winkel der Sitzfläche	-5°			+15°				
Effektive Sitztiefe	430 mm			520 mm				
Höhe der Sitzoberfläche an der Vorderkante (mit Sitzkissen)	490 mm			620 mm				
Sitzkissen	80 mm							
Rückenlehnenwinkel	0°			50°				
Abstand zwischen Fußauflage und Sitz	440 mm			580 mm				
Winkel zwischen Sitz und Fußauflage	-3°			10°				
Abstand zwischen Armpolster und Sitz	190 mm			290 mm				
Vordere Lage der Armlehne	380 mm			430 mm				
Greifreifendurchmesser	495 mm							
Horizontale Lage der Achse (Deflektion)	140 mm			170 mm				
Kleinster Wenderadius	1133 mm							
Durchmesser der PU-Hinterräder	12,5" (T30)	22"		24"				
Reifendruck, Hinterräder (Antriebsräder) (bei Luftreifen)	Nicht zutreffend							
Durchmesser der PU-Lenkräder	200 x 50 (8")							
Reifendruck, Lenkräder (Antriebsräder) (bei Luftreifen)	Nicht zutreffend							
Rahmenfarbe/Polsterung	C21 Dunkelrotmetallic/Hellgrau							
Temperaturbereich für Lagerung und Nutzung	5 °C			+41 °C				

Luftfeuchtigkeitsbereich für Lagerung und Nutzung	30%	70%
Technische Änderungen vorbehalten. Messtoleranzen $\pm 15 \text{ mm} / 1,5 \text{ kg} / ^\circ$		

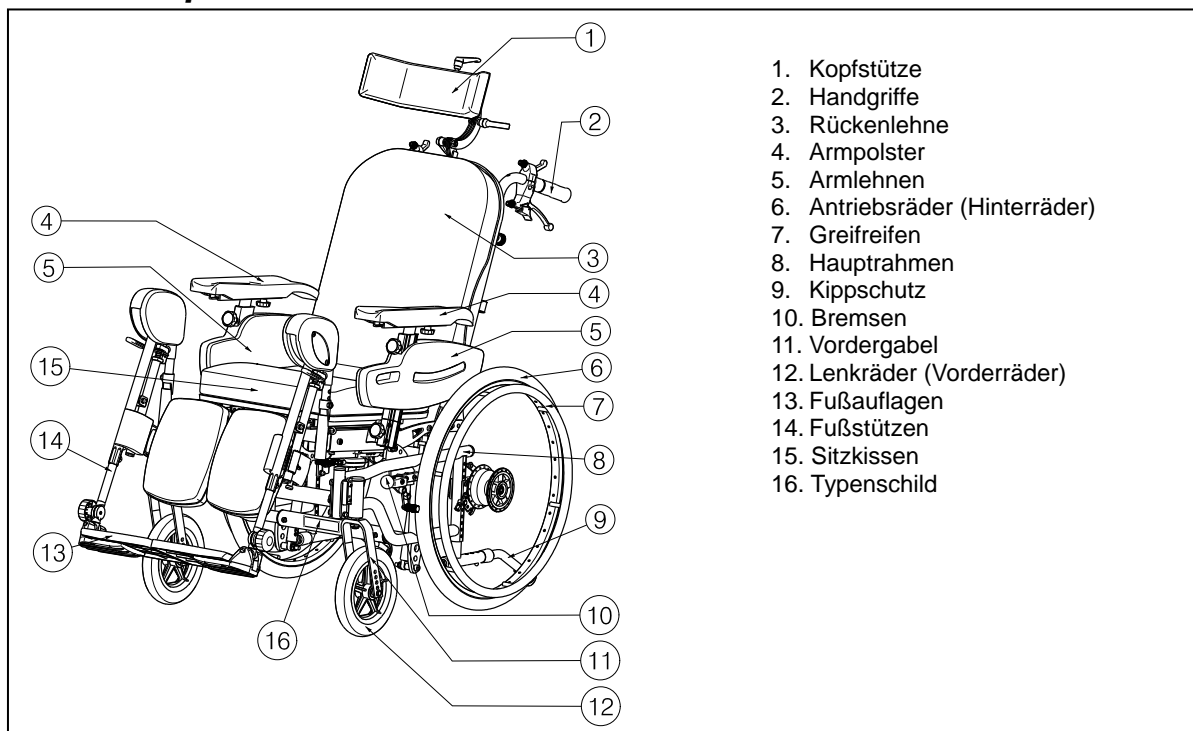
Tabelle 1: Technische Daten EZ1

Der Rollstuhl entspricht den Anforderungen der folgenden Normen:

ISO 7176-8: Anforderungen und Prüfungen für statische Festigkeit, Stoßfestigkeit und Dauerfestigkeit.

EN 1021-1: Bewertung der Entzündbarkeit von Polstermöbeln - Zündquelle: Glimmende Zigarette

1.3 Komponenten




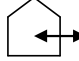

1.4 Zubehör

Für den EZ1 ist das folgende Zubehör erhältlich:

- Vorderer Beckengurt (B20, B58)
- Seitenstützen / Pelotten (L04)
- Therapietisch Polycarbonat (B115)
- Holztisch (B12)
- Trommelbremsen (B74)
- Spreizkeil (B22)

Für weiteres Zubehör setzen Sie sich mit Ihrem Fachhändler in Verbindung. Er berät Sie gern.

1.5 Zeichenerklärung

-  Max. zulässiges Gewicht
-  Innen- und Außenbereich
-  Maximale, sichere Steigung



CE-Konformität



Nicht zur Verwendung als Sitz in einem Motorfahrzeug geeignet



Typenbezeichnung

1.6 Für Ihre Sicherheit

- ⚠ Achten Sie darauf, dass bei Nutzung der Antriebsräder keine Gegenstände und/oder Körperteile in die Speichen hineinragen, da sonst Verletzungen und/oder Beschädigungen an Ihrem Rollstuhl auftreten können.
- ⚠ Vor dem Ein-/Aussteigen in den/aus dem Rollstuhl sind die Feststellbremsen zu betätigen.
- ⚠ Ziehen Sie beim Einstellen/Anbringen von Rückenlehne, Armlehnen usw. die Feststellbremsen an.
- ⚠ Steigen Sie beim Ein-/Aussteigen in den/aus dem Rollstuhl nicht auf die Fußauflagen. Diese sind vorher nach oben zu klappen oder die ganze Fußstützen nach außen abzuschwenken.
- ⚠ Erforschen Sie die Auswirkungen von Schwerpunktverlagerungen auf das Verhalten des Rollstuhles, zum Beispiel auf Gefällestrecken, Steigungen, seitlichen Neigungen oder beim Überwinden von Hindernissen. Nutzen Sie die Unterstützung durch eine Begleitperson.
- ⚠ Achten Sie beim Ergreifen von Gegenständen (die vor, seitlich oder hinter dem Rollstuhl liegen) darauf, dass Sie sich nicht zu weit aus dem Rollstuhl lehnen, da durch Schwerpunktverlagerung eine Kippgefahr besteht.
- ⚠ Bei Durchfahrten von Türen, Bögen usw. muss seitlich ausreichend Platz vorhanden sein, da sonst Quetschgefahr für Ihre Hände/Arme besteht und Schäden am Rollstuhl entstehen.
- ⚠ Setzen Sie Ihren Rollstuhl nur bestimmungsgemäß ein. Vermeiden Sie z.B. ein ungebremstes Fahren gegen ein Hindernis (Stufe, Bordsteinkante, Türzarge usw.) oder Herunterspringen von Absätzen. Für Schäden, die durch Kollision, Überlast oder andere, nicht bestimmungsgemäße Nutzung entstehen, haftet der Hersteller nicht.
- ⚠ Treppen dürfen nur mit Hilfe von Begleitpersonen überwunden werden. Sind dafür Einrichtungen, wie z.B. Auffahrampen oder Aufzüge vorhanden, sind diese zu nutzen.
- ⚠ Sie unterliegen bei Fahrten im öffentlichen Straßenverkehr der Straßenverkehrsordnung.
- ⚠ Wie auch beim Führen anderer Fahrzeuge sollten Sie mit Ihrem Rollstuhl nicht unter Alkoholeinfluss oder Medikamenteneinwirkung stehen. Dies gilt auch für Fahrten in Innenräumen.
- ⚠ Stellen Sie Ihr Fahrverhalten bei Fahrten außerhalb der Wohnung auf die gegebenen Witterungs- und Straßenverhältnisse ein.
- ⚠ Zum Transport des Rollstuhles diesen nie an beweglichen Teilen (Armlehnen, Fußstützen etc.) fassen, sondern nur an festen Rahmenteilen.
- ⚠ Tragen Sie zum "Besser-Gesehen-Werden" im Dunkeln möglichst helle Kleidung oder Kleidung mit Reflektoren und achten Sie darauf, dass die seitlich und rückwärtig am Rollstuhl angebrachten Reflektoren gut sichtbar sind.
- ⚠ Achten Sie darauf, dass die maximale Belastung (150 kg) nicht überschritten wird.
- ⚠ Tragen Sie beim Fahren im Freien Handschuhe, da diese die Griffsicherheit am Greifreifen erhöhen und die Finger vor Schutz und Hitze schützen.
- ⚠ Um Handverletzungen zu vermeiden, achten Sie beim Fahren mit dem Rollstuhl darauf, nicht zwischen Antriebsrad und Radsperrung zu greifen.
- ⚠ Wenn Sie Einstellarbeiten am Rollstuhl vornehmen, stellen Sie sicher, dass **keine** Gegenstände oder Körperteile in den Einstellbereich gelangen – Quetschgefahr.
- ⚠ Vergewissern Sie sich, dass die Räder für eine fache und schnelle Entfernung vollständig in die Achse eingerastet sind.

- ⚠ Seien Sie beim Umgang mit offenen Flammen vorsichtig (die Polsterung ist zwar flammhemmend, der Füllstoff jedoch nicht).

2 Verwendung

In diesem Kapitel wird die tägliche Verwendung beschrieben. **Diese Anweisungen richten sich an den Benutzer und den Fachhändler.**

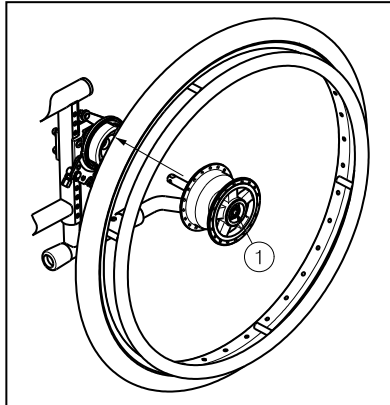
Der Rollstuhl wird Ihnen vollständig aufgebaut von Ihrem Fachhändler geliefert. Anweisungen für den Fachhändler, wie der Rollstuhl zusammengebaut und eingerichtet wird, befinden sich in § 3.

2.1 Transportieren des Rollstuhls

Am besten lässt sich der Rollstuhl transportieren, indem die Räder verwendet und der Rollstuhl geschoben wird.

Sollte dies nicht möglich sein (beispielsweise wenn die Hinterräder für den Transport in einem Auto abgenommen wurden), greifen Sie den Rahmen fest an der Vorderseite und die Handgriffe. Greifen Sie den Rollstuhl nicht an den Fußstützen, Armstützen oder den Rädern.

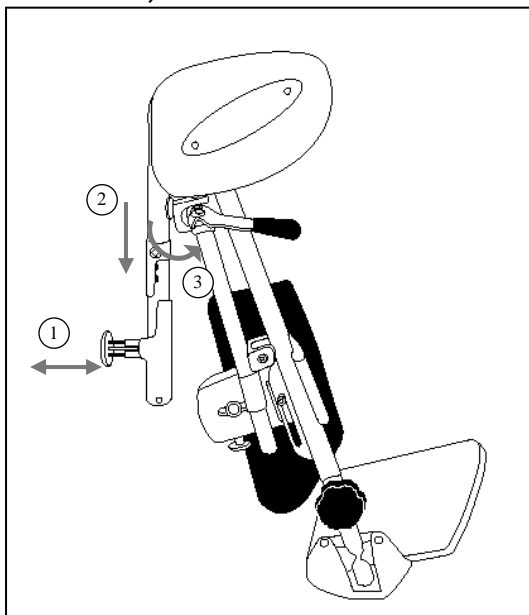
2.2 Montage der Hinterräder



1. Nehmen Sie das Hinterrad in die Hand und drücken Sie auf den Arretierstift ①.
2. Halten Sie den Arretierstift gedrückt und schieben Sie das Hinterrad bis zum Anschlag auf die Achse.
3. Lassen Sie den Arretierstift ① los.
4. Prüfen Sie, ob die Räder sicher auf der Achse sitzen.

2.3 An- oder Abbauen der Fußstützen

- ⚠ **VORSICHT:** Verletzungsgefahr – Stellen Sie vor dem Gebrauch des Rollstuhls sicher, dass die Fußstützen fest sitzt.



Die Fußstützen wird wie folgt montiert:

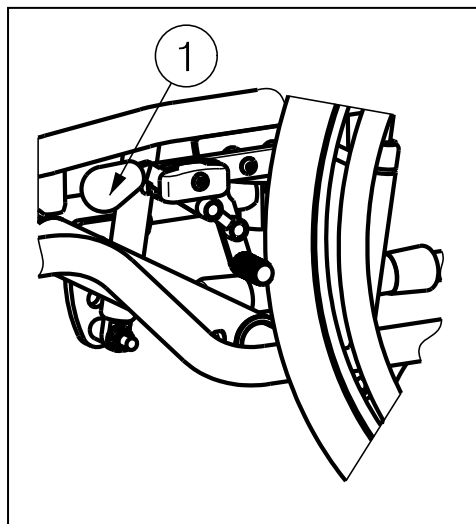
1. Ziehen Sie den Arretierbolzen ① der Fußstützenhalterung heraus.
2. Setzen Sie die Fußstützen von oben in die Fußstützenhalterung ein. Lassen Sie den Arretierbolzen ① der Fußstützenhalterung gelöst. Um die Fußstütze nach außen zu schwenken, ziehen Sie den Arretierbolzen ① heraus und heben die Fußstütze etwas an (25 mm).
3. Schwenken Sie die Fußstütze nach außen.
4. Klappen Sie die Fußauflage nach unten.

So bauen Sie die Fußstützen ab:

1. Klappen Sie die Fußauflage nach oben.
2. Ziehen Sie den Arretierbolzen ① der Fußstützenhalterung heraus.
3. Nehmen Sie die Fußstütze nach oben aus der Fußstützenhalterung.
4. Lassen Sie den Arretierbolzen ① der Fußstützenhalterung gelöst.

2.4 Betätigen der Bremsen

- ⚠ **WARNUNG:** Die Bremsen dienen nicht dazu, die Bewegung des Rollstuhls abzubremesen – sie dienen ausschließlich dazu, unbeabsichtigte Bewegungen des Rollstuhls zu verhindern.
- ⚠ **WARNUNG:** Die ordnungsgemäße Funktion der Bremsen kann durch Verschleiß oder Schmutz (auch Wasser, Öl, Schlamm usw.) beeinträchtigt werden. Überprüfen Sie daher vor jeder Rollstuhlnutzung den Zustand der Reifen.
- ⚠ **WARNUNG:** Die Bremsen sind einstellbar und können verschleißen. Überprüfen Sie daher vor jeder Rollstuhlnutzung den Zustand der Bremsen.



So betätigen Sie die Bremsen:

1. Drücken Sie die Bremshebel ① nach vorn, bis sie ein deutliches Klicken fühlen.

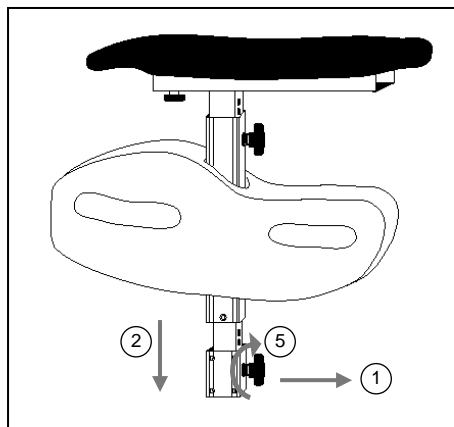
⚠ **VORSICHT:** Gefahr einer unbeabsichtigten Bewegung. Achten Sie darauf, dass der Rollstuhl auf einer flachen, horizontalen Fläche steht, bevor Sie die Bremsen lösen. Lösen Sie niemals beide Bremsen gleichzeitig.

So lösen Sie die Bremsen:

1. Lösen Sie eine Bremse, indem Sie den Griff ① nach hinten ziehen.
2. Fassen Sie den Greifreifen des Rads mit der gelösten Bremse mit Ihrer Hand.
3. Lösen Sie die zweite Bremse, indem Sie den Griff ① nach hinten ziehen.

2.5 An- oder Abbauen der Armlehnen

- ⚠ **VORSICHT:** Klemmgefahr – Halten Sie Ihre Finger, Schnallen oder Kleidungsstücke fern von der Unterseite der Armlehne.
- ⚠ **VORSICHT:** Verletzungsgefahr – Stellen Sie vor dem Gebrauch des Rollstuhls sicher, dass die Armlehnen fest sitzt.



Die Armlehnen der Rollstuhl können weggeklappt oder abgebaut werden.

1. Ziehen Sie das Sternrad ① heraus.
2. Schieben Sie die Armlehne von oben in die entsprechende Halterung ②.
3. Lösen Sie das Sternrad ①.
4. Vergewissern Sie sich, dass die Armlehne fest angebracht ist.
5. Drehen Sie das Sternrad ① im Uhrzeigersinn bis, es handfest angezogen ist.

So bauen Sie die Armlehne ab:

1. Drehen Sie das Sternrad ① gegen den Uhrzeigersinn.
2. Ziehen Sie das Sternrad ① heraus.
3. Ziehen Sie die Armlehne aus der Halterung.

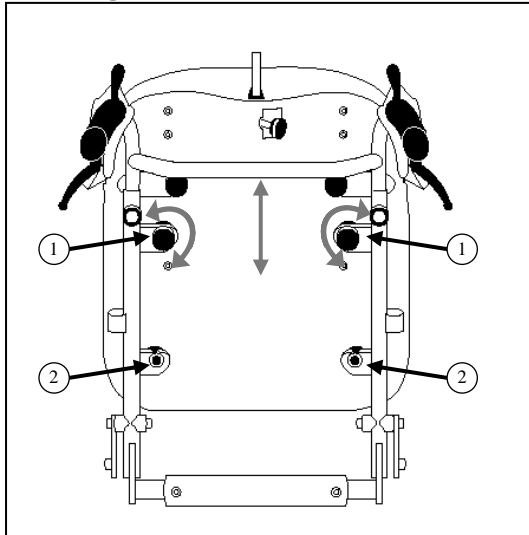
Zum An- und Abbauen der Armpolsters verwenden Sie die oben stehenden Anweisungen unter „An- oder Abbauen der Armlehnen“.

2.6 An-/Abbauen des Sitzpolsters

Befestigen/Lösen Sie das Sitzpolster mithilfe der Klettbänder an/von der Sitzplatte.

2.7 An- oder Abbauen der Rückenlehne

- ⚠ **VORSICHT:** Verletzungsgefahr – Stellen Sie vor dem Gebrauch des Rollstuhls sicher, dass die Rückenlehne fest in den vier Halterungen sitzt.
- ⚠ **VORSICHT:** Gefahr von Klemmschäden – Achten Sie darauf, dass die Bowdenzüge der Griffe nicht zwischen den Rohren des Rückenlehnensrahmens eingeklemmt werden.



Die Rückenlehne des Rollstuhls wird wie folgt angebaut.

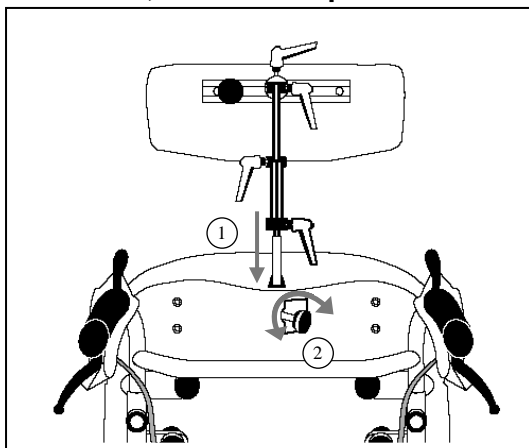
1. Setzen Sie die Rückenlehne in die vier Halterungen ① + ② ein.
2. Ziehen Sie die oberen Sternräder handfest an.
3. Stellen Sie sicher, dass die Rückenlehne fest sitzt.

So bauen Sie die Rückenlehne vom Rollstuhl ab:

1. Lösen Sie die oberen Sternräder .
2. Ziehen Sie die Rückenlehne nach oben aus den vier Halterungen ① + ② heraus.

2.8 An-/Abbauen der Kopfstütze

- ⚠ **VORSICHT:** Verletzungsgefahr – Stellen Sie vor dem Gebrauch des Rollstuhls sicher, dass die Kopfstütze fest angebracht ist.



Die Kopfstütze des Rollstuhls wird wie folgt angebaut:

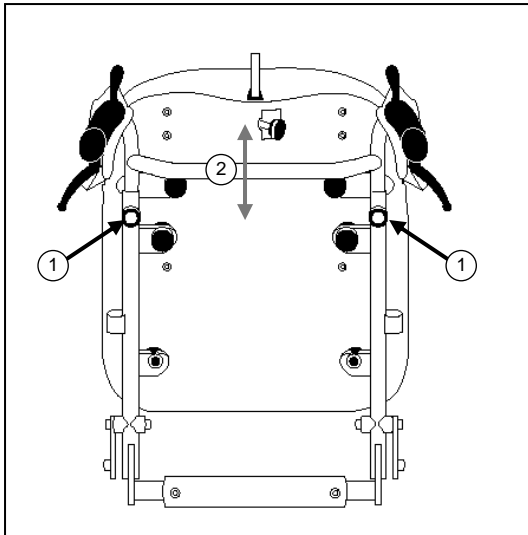
1. Schieben Sie die Kopfstütze in das Rohr ①.
2. Drehen Sie das Sternrad ② handfest an.
3. Stellen Sie sicher, dass die Kopfstütze fest angebracht ist.

So bauen Sie die Kopfstütze vom Rollstuhl ab:

1. Lösen Sie das Sternrad ②.
2. Ziehen Sie die Kopfstütze nach oben aus dem Rohr ①.

2.9 Einstellen der Handgriffe

- ⚠ **VORSICHT:** Verletzungsgefahr – Stellen Sie vor dem Gebrauch des Rollstuhls sicher, dass die Handgriffe fest angebracht sind.
- ⚠ **VORSICHT:** Kippgefahr – Beachten Sie die maximale Höheneinstellung, da sonst die Stabilität der Rollstuhl beeinträchtigt wird. Gehen Sie nicht über die letzte Einbuchtung der Handgriffrohre hinaus.



Die Handgriffe können der Größe der Begleitperson angepasst werden. Sie werden wie folgt eingestellt:

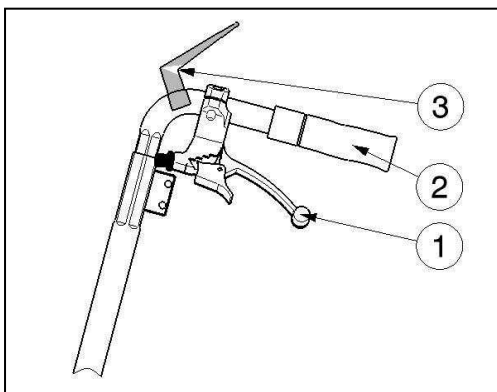
1. Lösen Sie die Sternräder ① auf beiden Seiten.
2. Bringen Sie die Handgriffe auf die passende Höhe für die Begleitperson.
3. Ziehen Sie die Sternräder ① auf beiden Seiten wieder fest.
4. Stellen Sie sicher, dass die Handgriffe fest sitzen.

2.10 Einstellen der Rückenlehne / Sitzneigung

- ⚠ **WARNUNG: Kippgefahr – Beachten Sie, dass die Stabilität sinkt, wenn die Rückenlehne nach hinten verstellt wird.**
- ⚠ **WARNUNG: Verletzungsgefahr – Betätigen Sie vor dem Einstellen der Rückenlehne und der Sitzneigung die Feststellbremsen.**

Sitz und Rückenlehne können nur mit Unterstützung einer zweiten Person gemeinsam oder unabhängig voneinander im Winkel verstellt werden. Stellen Sie sicher, dass der Patient im Rollstuhl sitzt, wenn die zweite Person die Einstellung der Rückenlehne und der Sitzneigung vornimmt. Verhindern Sie ein Kippen des Rollstuhls!

Sitzneigung:



1. Ziehen Sie den Hebel ① an der linken Seite (siehe Aufkleber) zum Handgriff ② um die Sitzneigung einzustellen.

Aufkleber



2. Ziehen bzw. drücken Sie den Sitz in die gewünschte Position (-5° bis +21°). Die Gasdruckfeder wird dabei zusammen- bzw. auseinandergedrückt.
3. Lösen Sie den Hebel ①, um die Gasdruckfeder zu arretieren.

Einstellen der Rückenlehne:

1. Ziehen Sie den Hebel ① an der rechten Seite (siehe Aufkleber) zum Handgriff ② um die Rückenlehne einzustellen.

Aufkleber



2. Ziehen bzw. drücken Sie die Rückenlehne in die gewünschte Position (-5° bis +54°). Die Gasdruckfeder wird dabei zusammen- bzw. auseinandergedrückt.
3. Lösen Sie den Hebel ①, um die Gasdruckfeder zu arretieren.

Wenn der Rollstuhl über Trommelbremsen verfügt, werden die Hebel ① zum Betätigen der Bremsen verwendet. In diesem Fall sind zusätzliche Hebel ③ zum Einstellen des Rückenlehnenwinkels und der Sitzneigung angebracht. Diese Hebel ③ können mit dem Daumen betätigt werden.

2.11 Setzen in den Rollstuhl

⚠ VORSICHT: Falls Sie sich nicht allein sicher in den Rollstuhl oder aus diesem heraus umsetzen können, bitten Sie jemanden um Hilfe.

⚠ VORSICHT: Kippgefahr des Rollstuhls – Stellen Sie sich nicht auf des Fußauflagen.

1. Positionieren Sie den Rollstuhl so nah wie möglich an den Stuhl, die Couch oder das Bett, zu dem bzw. von dem das Umsetzen vorgenommen werden soll.
2. Achten Sie darauf, dass beide Bremsen des Rollstuhls betätigt sind.
3. Klappen Sie die Fußauflagen nach oben, damit Sie sich nicht versehentlich darauf stellen.
4. Wenn das Umsetzen an der Seite des Rollstuhls erfolgt, können Sie die Armstütze und/oder die Fußstütze an dieser Seite abnehmen.
5. Setzen Sie sich in den Rollstuhl.

2.12 Prüfen Sie, ob die Sitzposition korrekt ist

Einige Empfehlungen für die komfortable Verwendung des Rollstuhls:

- Setzen Sie sich möglichst weit nach hinten, sodass Ihr Rücken an der Rückenlehne anliegt.
- Achten Sie darauf, dass Ihre Oberschenkel möglichst horizontal stehen. Gegebenenfalls müssen Sie die Länge der Fußstützen einstellen. (siehe § 3.8.2).

2.13 Fahren mit dem Rollstuhl

⚠ WARNUNG: Klemmgefahr – Halten Sie Ihre Finger von den Radspeichen fern.

⚠ WARNUNG: Klemmgefahr: Seien Sie in engen Durchfahren (z. B. Türen) vorsichtig.

⚠ WARNUNG: Verletzungsgefahr – Achten Sie darauf, dass Sie das Gerät keinen extremen Temperaturen aussetzen (Sonnenschein, extreme Kälte, Sauna etc.), da sich die verwendeten Materialien den Umgebungstemperaturen angleichen, was bei Berührung zu Verletzungen führen kann - Umgebungstemperaturen können Oberflächen verändern.

1. Lösen Sie die Bremsen.
2. Legen Sie beide Hände an die oberste Position des Greifreifens.
3. Lehnen Sie sich nach vorn und drücken Sie die Greifreifen nach vorn, bis beide Arme gerade sind.
4. Schwingen Sie Ihre Arme lose zurück an die Oberkante der Greifreifen und wiederholen Sie die Bewegung.

2.14 Fahren des Rollstuhls mit einer Begleitperson

⚠ WARNUNG: Klemmgefahr: Seien Sie in engen Durchfahren (z. B. Türen) vorsichtig.

⚠ WARNUNG: Verletzungsgefahr – Achten Sie darauf, dass Sie das Gerät keinen extremen Temperaturen aussetzen (Sonnenschein, extreme Kälte, Sauna etc.), da sich die verwendeten Materialien den Umgebungstemperaturen angleichen, was bei Berührung zu Verletzungen führen kann - Umgebungstemperaturen können Oberflächen verändern.

Der Rollstuhl kann von einer Begleitperson an den Handgriffen oder der Schiebbestange geschoben werden.

2.15 *Bewegen an Steigungen*

- ⚠ **WARNUNG:** Kontrollieren Sie Ihre Geschwindigkeit – Bewegen Sie sich an Steigungen so langsam wie möglich.
 - ⚠ **WARNUNG:** Berücksichtigen Sie die Kräfte Ihres Helfers – Wenn Ihr Helfer nicht stark genug ist, den Rollstuhl zu kontrollieren, betätigen Sie die Bremsen.
 - ⚠ **WARNUNG:** Kippgefahr – Lehnen Sie sich nach vorn, um Ihren Schwerpunkt nach vorne zu verlagern. So sorgen Sie für bessere Stabilität.
1. Falls Ihr Rollstuhl mit einem Sicherheitsgurt ausgestattet ist, sollten Sie ihn stets anlegen.
 2. Versuchen Sie nicht, zu steile Steigungen hinauf zu fahren. Die maximalen Steigungswinkel (bergauf und bergab) sind Tabelle 1 zu entnehmen.
 3. Bitten Sie einen Helfer, Sie beim Hinauffahren der Steigung zu unterstützen.
 4. Lehnen Sie sich nach vorn, um Ihren Schwerpunkt nach vorne zu verlagern.

2.16 *Überwinden von Stufen und Bordsteinen*

- ⚠ **WARNUNG:** Verletzungsgefahr – Der Transport über Treppen hat stets mit Unterstützung von mindestens zwei Begleitpersonen zu erfolgen.
- ⚠ **WARNUNG:** Verletzungsgefahr – Während des Transports müssen geeignete Personenrückhaltegurtsysteme angelegt werden (Informationen erhalten Sie bei Ihrem Fachhändler).
- ⚠ **WARNUNG:** Verletzungsgefahr – Sitzen Sie während des Transports ruhig in Ihrem Rollstuhl und vermeiden Sie ruckartige Bewegungen. Sollte durch Ihre Krankheit bzw. Behinderung ein ruhiges Sitzen während des Transports nicht möglich sein (z. B. leichte Spastiken etc.), sollten mindestens zwei weitere Personen jeweils seitlich den Transport sichern, indem diese an festen Rahmenteilern den Transport unterstützen.
- ⚠ **WARNUNG:** Verletzungsgefahr – Während des Transports ist darauf zu achten, dass Ihre Arme und Beine nicht aus dem Rollstuhl herausragen.
- ⚠ **WARNUNG:** Gefahr von Verletzungen oder Sachschäden – Während des Transports dürfen sich weder Menschen noch Gegenstände unterhalb des Rollstuhls befinden.
- ⚠ **WARNUNG:** Verletzungsgefahr – Nach Abnehmen der Fußstützen sind die Beine der im Rollstuhl sitzenden Person nicht gesichert.

2.16.1 *Hinunterfahren von Stufen und Bordsteinen*

Von Stufen und Bordsteinen kann mit Hilfe einer Begleitperson vorwärts hinuntergefahren werden:

1. Achten Sie darauf, dass die Handgriffe ausreichend fest montiert sind.
2. Bauern Sie die Fußstützen ab.
3. Bitten Sie die Begleitperson, den Rollstuhl mit der Kipphilfe etwas nach hinten zu kippen.
4. Überwinden Sie den Bordstein bzw. die Stufe, indem Sie den Rollstuhl an den Hinterrädern nach vorn bewegen.
5. Sichern Sie durch eine zweite Person den Rollstuhl vorne ab, indem diese nach Entfernung der Fußstützen den vorderen Rahmen umgreift. Die Person muss dabei rückwärts gehen.
6. Setzen Sie den Rollstuhl nach dem Überwinden des Hindernisses wieder auf alle vier Räder.

2.16.2 Hinauffahren von Stufen und Bordsteinen

Auf Stufen und Bordsteine kann mit Hilfe einer Begleitperson rückwärts aufgefahren werden:

1. Achten Sie darauf, dass die Handgriffe ausreichend fest montiert sind.
2. Bauern Sie die Fußstützen ab.
3. Drehen Sie den Rollstuhl so, dass die Hinterräder zum Bordsteine weisen.
4. Lehnen Sie sich nach hinten, und bringen Sie den Schwerpunkt über die Hinterräder.
5. Bitten Sie die Begleitperson, den Rollstuhl über den Bordstein zu ziehen.
6. Sichern Sie durch eine zweite Person den Rollstuhl vorne ab, indem diese nach Entfernung der Fußstützen den vorderen Rahmen umgreift. Die Person muss dabei vorwärts gehen.
7. Nehmen Sie wieder die normale Position auf dem Rollstuhl ein.

2.16.3 Überwinden von Treppen

- ⚠ **WARNUNG: Kippgefahr – Treppen sollten immer mit zwei Begleitpersonen überwunden werden.**
- ⚠ **WARNUNG: Verletzungsgefahr – Der Rollstuhl darf nicht angehoben werden, solange eine Person in diesem sitzt! Die Hinterräder müssen immer auf dem Boden bzw. Treppenstufen stehen.**
- ⚠ **WARNUNG: Verletzungsgefahr – Während des Transports müssen geeignete Personenrückhaltegurtsysteme angelegt werden (Informationen erhalten Sie bei Ihrem Fachhändler).**
- ⚠ **WARNUNG: Gefahr von Verletzungen oder Sachschäden – Während des Transports dürfen sich weder Menschen noch Gegenstände unterhalb des Rollstuhls befinden.**
- ⚠ **WARNUNG: Verletzungsgefahr – Nach Abnehmen der Fußstützen sind die Beine der im Rollstuhl sitzenden Person nicht gesichert.**

Treppen sollten mit dem Rollstuhl wie folgt überwunden werden:

1. Bauern Sie die Fußstützen ab.
2. Ein Helfer kippt den Rollstuhl etwas nach hinten.
3. Der zweite Helfer fasst den Rollstuhl am vorderen Rahmen.
4. Bleiben Sie ruhig, vermeiden Sie plötzliche Bewegungen, und halten Sie die Arme am Körper.
5. Überwinden Sie die Stufen mit den Hinterräder des Rollstuhls.
6. Bauen Sie die Fußstützen nach dem Überwinden der Treppe wieder am Rollstuhl an.

2.16.4 Befahren von Rampen

- ⚠ **WARNUNG: Verletzungsgefahr - Beachten Sie die maximal zulässige Belastung von Rampen.**
- ⚠ **WARNUNG: Verletzungsgefahr - Wählen Sie geeignete Rampen, so dass es nicht zu Verletzungen oder Sachschäden kommen kann. Für Schäden, die Ihnen oder dem Rollstuhl durch unsachgemäße Rampenwahl entstehen, übernehmen wir keine Haftung.**
- ⚠ **WARNUNG: Verletzungsgefahr - Vergewissern Sie sich, dass die Räder hoch genug sind, um die Rampe gefahrlos befahren zu können. Der Rahmen des Rollstuhls darf die Rampe nicht berühren.**
- ⚠ **WARNUNG: Verletzungsgefahr - Nutzen Sie einen Personenrückhaltegurt, um sich im Rollstuhl anzuschnallen.**
- ⚠ **WARNUNG: Kippgefahr - Nehmen Sie die Einstellungen für Sitz, Rückenlehne, Fußstützen usw. so vor, dass der Rollstuhl optimal stabilisiert ist.**

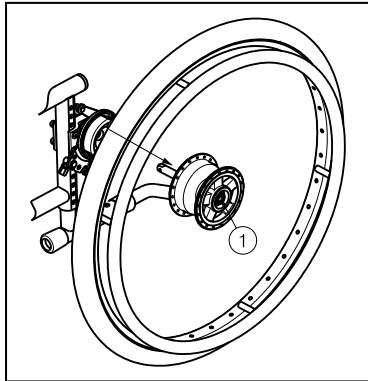
Sollten Sie zur Überwindung eines Hindernisses auf die Möglichkeit von Rampen zurückgreifen, bitten wir Sie folgende Hinweise zu beachten:

Durch das hohe Eigengewicht des Rollstuhls raten wir davon ab, durch eigene Kraft über eine Rampe zu fahren, da die Gefahr besteht, dass Sie den Rollstuhl nicht vor dem Zurückrollen sichern können.

Überwinden Sie Rampen nur mit Unterstützung eines Helfers, der Sie über die jeweilige Rampe schiebt.

2.17 Abnehmen der Hinterräder

Für eine einfacheren Transport des Rollstuhls können die Hinterräder abgenommen werden:



1. Stellen Sie sicher, dass die Bremsen gelöst sind.
2. Drehen Sie die Seite des Rollstuhls zu sich, an der Sie das Rad abnehmen möchten.
3. Drücken Sie den Arretierstift ① in der Mitte der Radnabe.
4. Ziehen Sie das Rad vom Rahmen ab.

2.18 Transport in einem Kraftfahrzeug

- ⚠ **GEFAHR: Verletzungsgefahr - Der Rollstuhl darf nicht als Sitz in einem Kraftfahrzeug genutzt werden.**
- ⚠ **WARNUNG: Verletzungsgefahr – Achten Sie darauf, den Rollstuhl ordnungsgemäß zu befestigen. So vermeiden Sie Verletzungen der Fahrzeuginsassen bei einer Kollision oder einem plötzlichen Bremsmanöver.**
- ⚠ **WARNUNG: Verletzungsgefahr – Verwenden Sie zum Sichern des Rollstuhls und des Fahrzeuginsassens NIEMALS den gleichen Sicherheitsgurt.**

Der Rollstuhl darf nicht als Sitzplatz in einem PKW oder anderen Fahrzeug verwendet werden. Der Rollstuhl ist mit dem folgenden Symbol zu kennzeichnen.



Gehen Sie folgendermaßen vor, um den Rollstuhl im Auto zu transportieren:

1. Bringen Sie den Sitz in eine horizontale Position und stellen Sie die Rückenlehne aufrecht.
2. Nehmen Sie die Fußstützen und Armlehnen sowie das Zubehör (z. B. Kopfstütze) ab.
3. Bewahren Sie die Fußstützen und Armlehnen sowie das Zubehör an einem sicheren Ort auf.
4. Wenn möglich, klappen Sie den Rollstuhl zusammen und bauen Sie die Hinterräder ab.
5. Laden Sie den Rollstuhl zu zweit nach Möglichkeit in den Kofferraum oder Gepäckraum.
6. Wenn der Gepäckraum und der Fahrgastraum NICHT voneinander getrennt sind, befestigen Sie den Rahmen des Rollstuhls sicher am Fahrzeug. Sie können hierzu verfügbare Sicherheitsgurte im Fahrzeug verwenden.
7. Setzen Sie den Patienten in einen hierfür vorgesehenen Sitz und legen Sie die Sicherheitsgurte an.

3 Zusammenbau und Einstellung

Die Anweisungen in diesem Kapitel richten sich an den Fachhändler.

Die Vermeiren-Multifunktionsrollstühle des Modells EZ1 wurden unter besonderer Berücksichtigung des Komforts für den Benutzer konzipiert. Der Rollstuhl ermöglicht Ihnen individuelle Verstellmöglichkeiten, die nachfolgend erläutert sind.

Um einen Fachhändler in Ihrer Nähe zu finden, stehen Ihnen unsere Niederlassungen gerne zur Verfügung. Eine Auflistung aller Vermeiren Niederlassungen finden Sie auf der letzten Seite dieser Gebrauchsanweisung.

- ⚠ **WARNUNG: Nutzen Sie das Produkt nur gemäß den technischen Vor- und Angaben dieser Gebrauchsanweisung.**
- ⚠ **WARNUNG: Änderungen an den zulässigen Einstellungen können die Stabilität des Rollstuhls verändern (Kippen nach hinten oder zur Seite).**

3.1 Werkzeuge

Für die Montage des Rollstuhl und für Einstellungen werden die folgenden Werkzeuge benötigt:

- Schraubenschlüsselsatz Größe 10 bis 19
- Inbusschlüsselsatz Größe 4 bis 5

3.2 Lieferumfang

Der Lieferumfang des Vermeiren EZ1 umfasst:

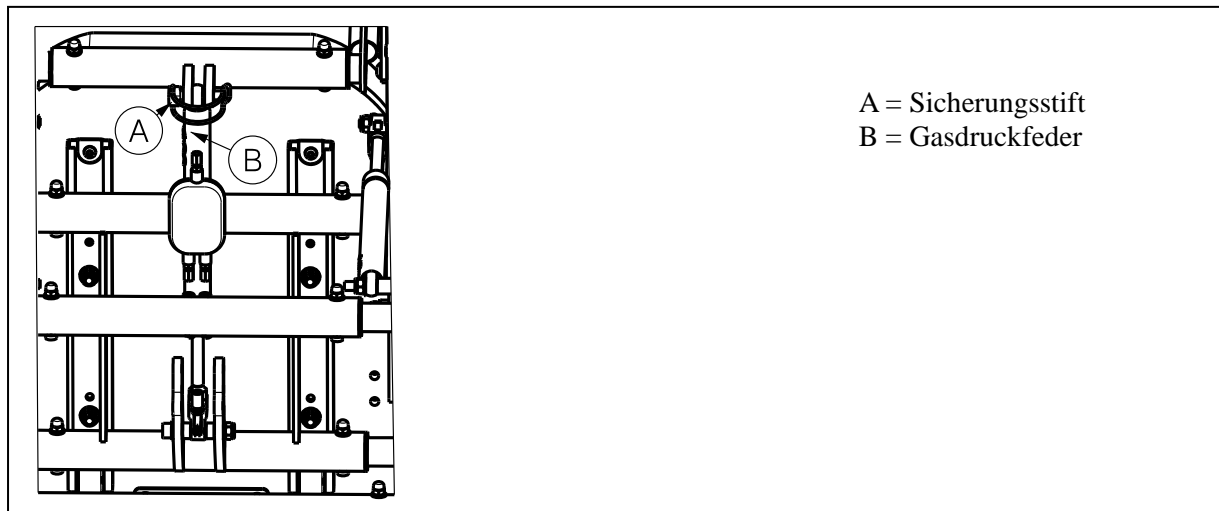
- 1 Rahmen mit Armlehnen, Hinter- und Vorderrädern
- 1 Paar Fußstützen
- Anatomischer Sitz (gepolstert)
- Anatomischer Rückenlehne (gepolstert)
- Werkzeuge
- Handbuch
- Zubehör

Überprüfen Sie den Lieferumfang des Produkts nach Erhalt auf Vollständigkeit und Funktionalität.

Garantieansprüche müssen dem Hersteller innerhalb von zwei Wochen schriftlich mitgeteilt werden. Versteckte Mängel müssen dem Hersteller innerhalb von zwei Wochen nach ihrer Feststellung mitgeteilt werden, um einen Garantieanspruch geltend zu machen.

3.3 Anbauen des Rahmens

- ⚠ **WARNUNG: Klemmgefahr – Stellen Sie sicher, dass keine Bowdenzüge gequetscht oder eingeklemmt werden.**
- ⚠ **WARNUNG: Verletzungsgefahr – Stellen Sie sicher, dass der Sicherheitsstift Ⓐ fest sitzt.**

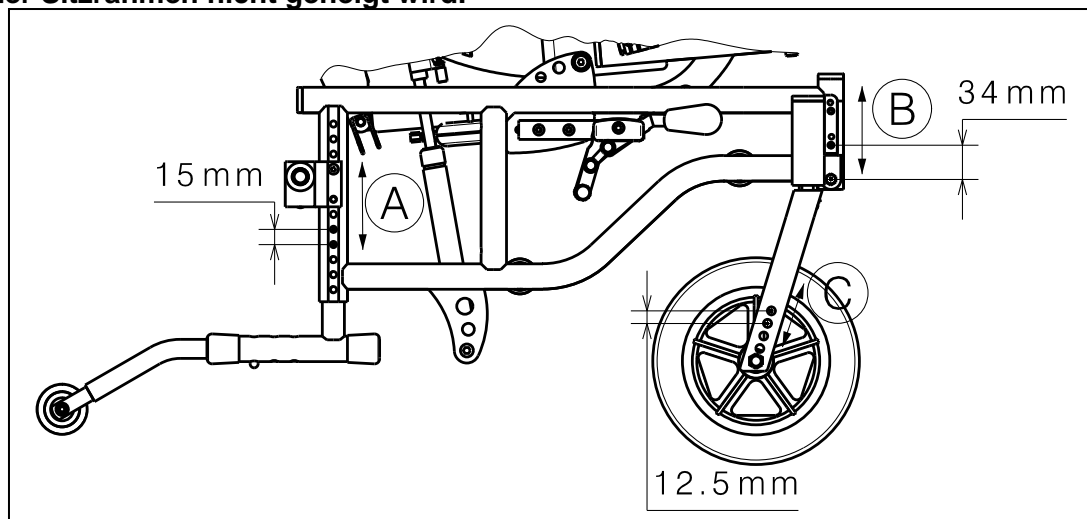


Nachdem der Rahmen des Rollstuhls aus der Originalverpackung genommen wurde, wird er wie folgt angebaut:

1. Bringen Sie die Rückenlehne in die senkrechte Position.
2. Schieben Sie den Sicherungsstift (A) in die entsprechenden Löcher. Eines davon dient zur Befestigung der Gasdruckfeder (B), die sich unter der Rückseite des Sitzrahmens befindet.

3.4 Einstellen der Sitzhöhe

- ⚠ **WARNUNG: Verletzungsgefahr – Stellen Sie sicher, dass die Schrauben fest sitzen. Vergewissern Sie sich, dass keine der Schrauben beschädigt ist.**
- ⚠ **WARNUNG: Verletzungsgefahr – Selbstsichernde Muttern können nur einmal verwendet werden.**
- ⚠ **WARNUNG: Verletzungsgefahr – Achten sie bei den Montage auf Quetschstellen.**
- ⚠ **WARNUNG: Kippgefahr – Stellen Sie beim Einstellen der Sitzhöhe sicher, dass der Sitzrahmen nicht geneigt wird.**



A Achsblock Antriebsräder

1. Lösen Sie die beiden Schrauben, mit denen der Achsblock der Hinterräder am Rahmen befestigt ist.
2. Schieben Sie den Achsblock auf die gewünschte Höhe (15-mm-Stufen).
3. Ziehen Sie die beiden Schrauben wieder fest.
4. Stellen Sie die Bremsen ein.

B Lenkrad-Adapter

1. Lösen Sie die beiden Schrauben am Lenkrad-Adapter.
2. Bringen Sie den Lenkrad-Adapter in die gewünschte Position (2 Positionen, 34-mm-Stufen).
3. Ziehen Sie die Schrauben fest an.

C Vorderradgabel

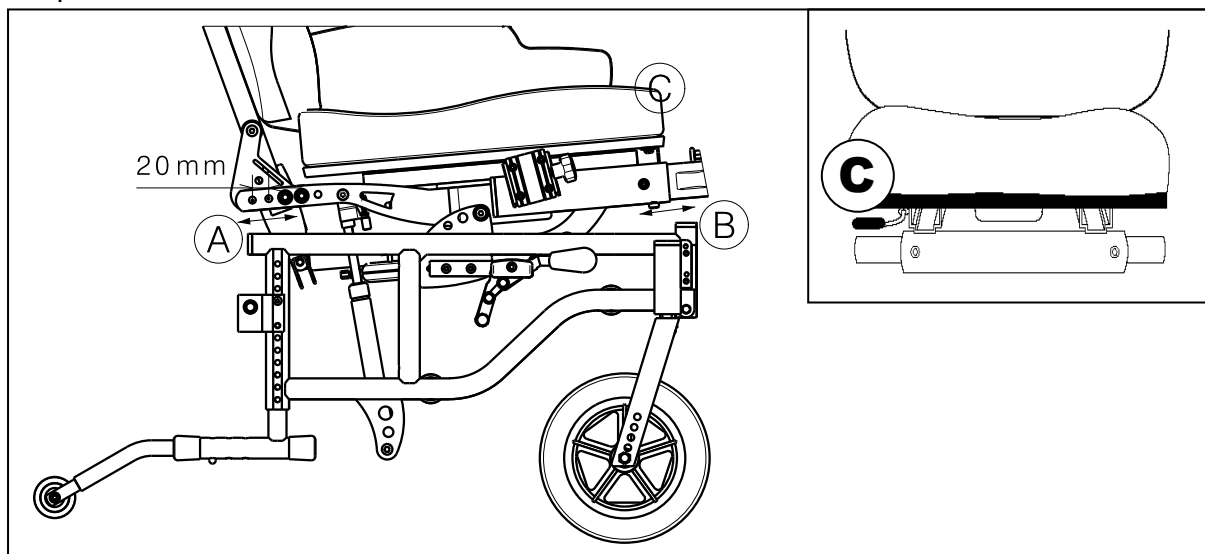
1. Lösen Sie die Schrauben der Vorderradachsen von der Vordergabel.
2. Bringen Sie das Lenkrad in die gewünschte Position an der Lenkgabel (12,5-mm-Stufen).
3. Ziehen Sie die Schrauben fest an.

3.5 Einstellen der Sitztiefe

⚠ WARNUNG: Verletzungsgefahr – Stellen Sie sicher, dass die Schrauben fest sitzen. Vergewissern Sie sich, dass keine der Schrauben beschädigt ist.

⚠ WARNUNG: Verletzungsgefahr – Selbstsichernde Muttern können nur einmal verwendet werden.

⚠ WARNUNG: Verletzungsgefahr – Achten sie bei den Montage auf Quetschstellen.
 Wenn Sie die Sitztiefe innerhalb des Einstellbereichs des Rückenrahmens verstellen und die Gasdruckfeder für die Rückenlehnenverstellung betätigen, kann zwischen Rückenlehne und Sitzpolster eine Lücke entstehen.

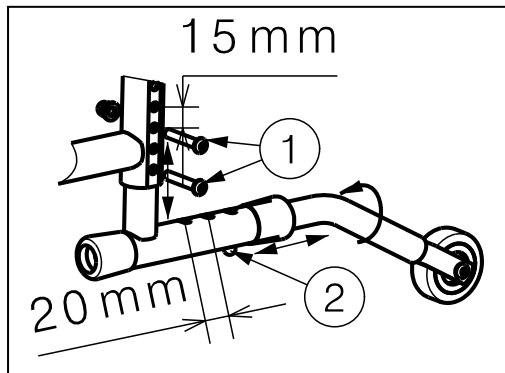


- ## **A**
1. Lösen Sie die Schrauben auf beiden Seiten an der Stelle, wo der Rückenlehnenrahmen mit dem Sitzrahmen verbunden ist.
 2. Bringen Sie die Rückenlehne in die gewünschte Position (4 Positionen, 20-mm-Stufen).
 3. Ziehen Sie die Schrauben auf beiden Seiten wieder fest.
 4. Stellen Sie die Bremsen ein.

- ## **B**
1. Lösen Sie die Schraube an der Stelle, wo die Fußstütze am Sitzrahmen angebracht sind.
 2. Schieben Sie das Fußstützenrohr in die gewünschte Position (stufenlos).
 3. Ziehen Sie die Schrauben wieder fest an.

- C**
1. Ziehen Sie den Hebel für die Sitzhöhenverstellung. Dieser Hebel befindet sich vorne direkt unter dem Sitz.
 2. Bringen Sie den Sitz in die gewünschte Position (stufenlos).
 3. Lassen Sie den Hebel wieder los. Der Sitz wird in der jeweiligen Position arretiert.

3.6 Einstellen des Kippschutzes



Stellen Sie sicher, dass die Kippschutz so eingestellt ist, dass sie ein Überkippen des Rollstuhls verhindert.

3.6.1 Verstellhöhe

1. Lösen Sie die Schrauben ①.
2. Schieben Sie die Kippschutz in die gewünschte Position.
3. Ziehen Sie die Schrauben ① wieder fest.

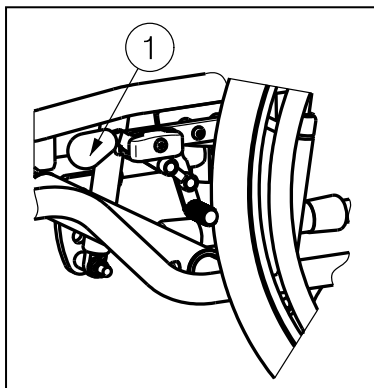
3.6.2 Sitztiefeinstellung

1. Drücken Sie auf den Federknopf ②.
2. Bringen Sie die Kippschutz in die gewünschte Position (3 Positionen möglich).
3. Lassen Sie den Federknopf ① los.
4. Prüfen Sie, ob der Federknopf ① fest im Loch sitzt.

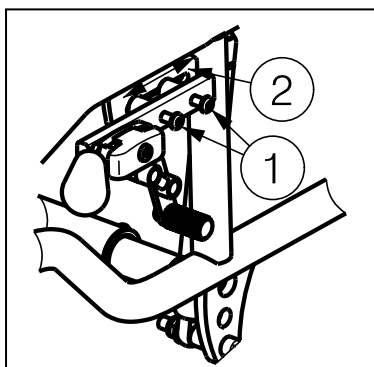
3.7 Einstellen der Bremsen

⚠ WARNUNG: Verletzungsgefahr – Bremsen dürfen nur vom Fachhändler eingestellt werden.

So stellen Sie die Bremsen ein:



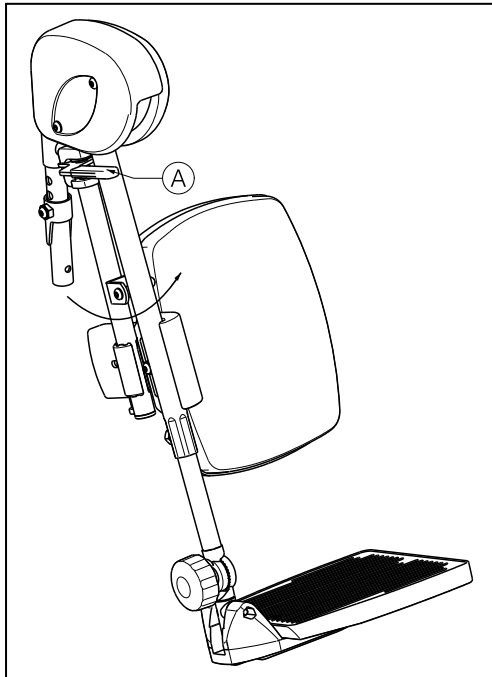
1. Bauen Sie die Räder gemäß den Anweisungen in § 2.2 an.
2. Lösen Sie die Bremsen, indem Sie den Hebel ① nach hinten ziehen.



3. Lösen Sie die Schrauben ①, so dass der Bremsmechanismus über die Führung ② geschoben werden kann.
4. Ziehen Sie den Bremsmechanismus über die Führung ② in die gewünschte Position.
5. Ziehen Sie die Schrauben ① wieder fest.
6. Prüfen Sie die ordnungsgemäße Funktion der Bremsen.
7. Wiederholen Sie ggf. die oben beschriebenen Schritte, bis die Bremsen ordnungsgemäß justiert sind.

3.8 Einstellen der Fußstützen

3.8.1 Fußstützenwinkel



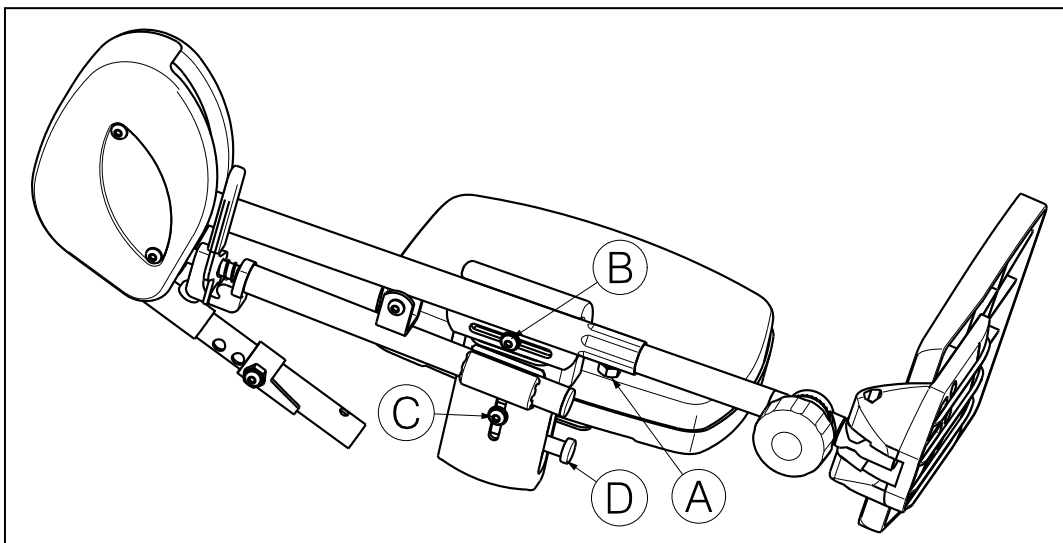
So klappen Sie die Fußstützen nach oben:

1. Heben Sie die Fußstütze an.
2. Lassen Sie die Fußstütze los. Sie wird automatisch im gewünschten Winkel (bis zu 113°) arretiert.

So klappen Sie die Fußstützen nach unten:

1. Ziehen Sie den Hebel **A** nach oben.
2. Bringen Sie die Fußstütze in die gewünschte Position.
3. Lassen Sie den Hebel **A** los.

3.8.2 Fußstützenlänge



⚠ VORSICHT: Verletzungsgefahr – Achten Sie darauf, dass die Fußstützen auf beiden Seiten genau gleich eingestellt werden.

⚠ VORSICHT: Risiko der Beschädigung – Achten Sie darauf, dass die Fußauflagen den Boden nicht berührt. Achten Sie auf einen Abstand von mindestens 60 mm zwischen der Fußstütze und dem Boden.

So stellen Sie die Länge der Fußstützen ein:

1. Lösen Sie die Schraube **A**.
2. Stellen Sie die Länge der Fußstütze auf eine angenehme Länge ein (Bereich 140 mm: stufenlos).
3. Setzen Sie die Schraube **A** wieder ein und ziehen diese handfest an.

3.8.3 Beinstützenhöhe

Die Höhe der Beinstützen wird wie folgt eingestellt:

1. Lösen Sie die Schraube ②.
2. Stellen Sie die Beinstütze auf eine bequeme Höhe ein (Einstellbereich 50 mm, stufenlos).
3. Ziehen Sie die Schraube ② fest an.

3.8.4 Beinstützentiefe

Die Tiefe der Beinstützen wird wie folgt eingestellt:

1. Lösen Sie die Schraube ③.
2. Stellen Sie die Beinstütze auf eine bequeme Tiefe ein (Einstellbereich 40 mm, stufenlos).
3. Ziehen Sie die Schraube ③ fest an.

3.8.5 Beinstützenbreite

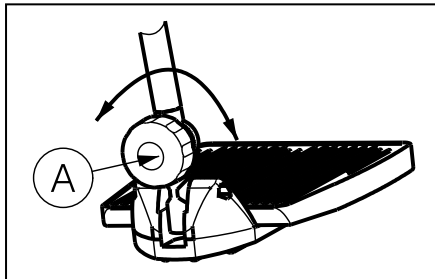
Die Breite der Beinstützen wird wie folgt eingestellt:

1. Lösen Sie die beiden Schrauben an der Rückseite des Beinstützenpolsters.
2. Stellen Sie die Beinstütze auf eine bequeme Breite ein.
3. Ziehen Sie die Schrauben fest an.

3.8.6 Hochklappen der Beinstützen

1. Drücken Sie auf den Knopf ④.
2. Klappen Sie die Beinstütze hoch.
3. Lassen Sie den Knopf ④ los.

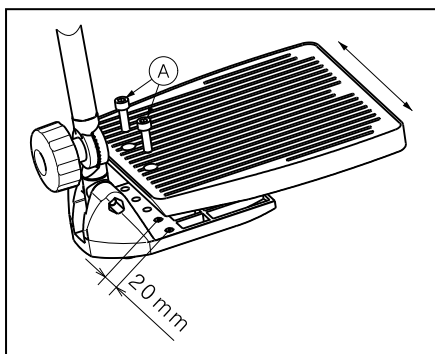
3.8.7 Fußauflagenwinkel



Der Winkel der Fußauflage wird wie folgt eingestellt:

1. Lösen Sie das schwarze Sternrad ①.
2. Drehen Sie die Fußauflage in den gewünschten Winkel.
3. Ziehen Sie das Sternrad ① fest an.

3.8.8 Fußauflagentiefe



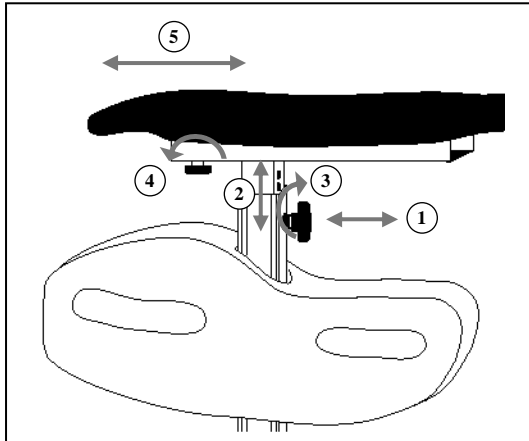
Die Tiefe der Fußauflage wird wie folgt eingestellt:

1. Lösen Sie die beiden Schrauben ① an der Fußauflage.
2. Stellen Sie die Fußauflage auf eine bequeme Tiefe ein (3 Positionen möglich).
3. Ziehen Sie die Schrauben ① fest an.

3.9 Einstellen des Armpolsters

- ⚠ **VORSICHT:** Verletzungsgefahr – Achten Sie darauf, dass die Armpolsters auf beiden Seiten genau gleich eingestellt werden.

3.9.1 Armpolsterhöhe



Die Höhe der Armpolster wird wie folgt eingestellt:

1. Ziehen Sie den Arretierbolzen ① heraus.
2. Bringen Sie die Armpolster in die gewünschte Position ②.
3. Lassen Sie den Arretierbolzen ① los.
4. Drehen Sie das Sternrad ③ im Uhrzeigersinn..
5. Stellen Sie sicher, dass die Armpolster fest angebracht ist.

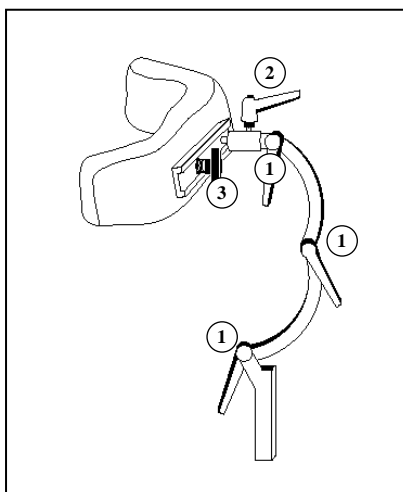
3.9.2 Armpolstertiefe

Die Tiefe der Armpolster wird wie folgt eingestellt:

1. Lösen Sie die Arretierschraube ④ direkt unterhalb des Armpolsters.
2. Schieben Sie die Armpolster in die gewünschte Position ⑤.
3. Ziehen Sie die Arretierschraube ④ von Hand an.

3.10 Einstellen der Kopfstütze

- ⚠ **WARNUNG:** Verletzungsgefahr – Stellen Sie sicher, dass die Schrauben fest sitzen.
- ⚠ **WARNUNG:** Gefahr ergonomischer Verletzungen – Stellen Sie sicher, dass die Kopfstütze für den Patienten so bequem wie möglich eingestellt wird, damit es nicht zu Druckstellen oder Verspannungen kommt.



3.10.1 Höhe und Tiefe der Kopfstütze

Die Höhe und Tiefe der Kopfstütze wird wie folgt eingestellt:

1. Lösen Sie die Hebel ①.
2. Bringen Sie die Kopfstütze in die gewünschte Position.
3. Setzen Sie die Hebel ① von Hand wieder fest.

3.10.2 Drehen des Polsters

Das Kopfstützenpolster lässt sich wie folgt um 360° drehen:

1. Lösen Sie den Hebel ②.
2. Drehen Sie das Polster in die gewünschte Position.
3. Setzen Sie den Hebel ② von Hand wieder fest.

3.10.3 Tiefe des Kopfstützenpolsters

Das Kopfstützenpolster lässt sich wie folgt seitlich verschieben:

1. Lösen Sie das Sternrad ③.
2. Bringen Sie das Kopfstützenpolster in die gewünschte Position.
3. Ziehen Sie das Sternrad ③ von Hand wieder an.

4 **Wartung**

Hinweise zur Wartung der Rollstühle entnehmen Sie bitte der Website von Vermeiren: www.vermeiren.be.



Indice

Premessa	2
1 Descrizione del prodotto	3
1.1 Destinazione d'uso.....	3
1.2 Specifiche tecniche.....	4
1.3 Schema	5
1.4 Accessori	5
1.5 Significato dei simboli	5
1.6 Regole per la sicurezza.....	6
2 Utilizzo	7
2.1 Trasporto della carrozzina	7
2.2 Montaggio delle ruote posteriori	7
2.3 Montaggio o rimozione della pedana	7
2.4 Utilizzo dei freni.....	8
2.5 Montaggio o rimozione dei braccioli	8
2.6 Montaggio o rimozione del sedile imbottito	9
2.7 Montaggio o rimozione dello schienale	9
2.8 Montaggio o rimozione del poggiatesta	9
2.9 Regolazione delle manopole di spinta.....	9
2.10 Regolazione dello schienale / Inclinazione del sedile.....	10
2.11 Trasferimento della carrozzina all'interno e all'esterno	11
2.12 Posizione corretta nella carrozzina.....	11
2.13 Utilizzo della carrozzina.....	11
2.14 Utilizzo della carrozzina da parte di un assistente	11
2.15 Spostamento su superfici in pendenza	12
2.16 Superamento di gradini e scalini	12
2.17 Smontare le ruote	14
2.18 Trasporto in auto	14
3 Installazione e regolazione	14
3.1 Attrezzi	15
3.2 Modalità di consegna	15
3.3 Montaggio del telaio.....	15
3.4 Regolazione dell'altezza del sedile.....	16
3.5 Regolazione della profondità del sedile	16
3.6 Regolazione del antiribaltamento.....	17
3.7 Regolazione dei freni	18
3.8 Regolazione delle pedane.....	18
3.9 Regolazione dell'imbottitura dei braccioli	20
3.10 Regolazione del poggiatesta.....	21
4 Manutenzione	21





Premessa

Ringraziamo per la fiducia accordataci con l'acquisto di una carrozzina di nostra produzione.

Le carrozzine Vermeiren sono il risultato di molti anni di ricerca ed esperienza. Durante lo sviluppo, è stata dedicata attenzione speciale alla facilità d'uso e alla praticità della carrozzina.

La durata della carrozzina dipende fortemente dalla cura e manutenzione che vi si dedicano.

Il presente manuale ha lo scopo di aiutare ad acquisire familiarità con il funzionamento della carrozzina.

Attenersi alle istruzioni operative e di manutenzione costituisce parte integrante della garanzia.

Il manuale riflette gli sviluppi più recenti dei prodotti. Vermeiren si riserva il diritto di apportare modifiche senza preavviso, senza essere tenuta a sostituire o adattare modelli forniti in precedenza.

Per qualsiasi chiarimento, rivolgersi al rivenditore specializzato.

1 Descrizione del prodotto

1.1 Destinazione d'uso

La carrozzina è destinata a persone con difficoltà motorie o incapacità di deambulazione.

La carrozzina è destinata al trasporto di una sola persona.

La carrozzina può essere utilizzata all'interno e in alcuni casi all'esterno.

L'occupante può controllare direttamente il movimento della carrozzina oppure farsi spingere da un accompagnatore.

Le diverse versioni di allestimento e gli accessori e la concezione modulare consentono l'utilizzo della carrozzina da parte di persone con impossibilità/difficoltà di deambulazione in seguito a:

- paralisi
- amputazione di arti inferiori
- difetti o deformazioni degli arti inferiori
- contratture o lesioni articolari
- insufficienza cardiaca e cardiocircolatoria
- disturbi dell'equilibrio
- cachessia (deterioramento della massa muscolare)
- e per usi geriatrici.

Nella valutazione delle esigenze personali, si consiglia di tenere in considerazione i seguenti fattori:

- corporatura e peso corporeo (150 kg max)
- condizioni psico-fisiche
- abitazione
- ambiente

La carrozzina deve essere utilizzata solo su superfici che consentono il contatto adeguato delle quattro ruote e dove sia possibile spingere in modo uniforme le ruote.

Esercitarsi nella guida su superfici sconnesse (ciottoli, ecc.), pendenze, curve e nel superamento di ostacoli (scalini, ecc.).

Non utilizzare la carrozzina come scala, né per trasportare oggetti pesanti o caldi.

Se utilizzata su pavimenti con tappeti, moquette o rivestimenti, questi potrebbero venire danneggiati.

Utilizzare solo gli accessori approvati da Vermeiren.


La casa costruttrice non può essere ritenuta responsabile per danni causati da mancanza di manutenzione adeguata o risultanti dal mancato rispetto delle istruzioni contenute nel presente manuale.

La conformità con le istruzioni operative e di manutenzione è parte integrante della garanzia.

I pazienti con problemi di vista possono contattare il rivenditore per le istruzioni d'uso.

1.2 Specifiche tecniche

I termini tecnici riportati di seguito si applicano alla carrozzina con configurazione standard e ruote posteriori 22". Se vengono utilizzati altri tipi di pedane, braccioli o accessori, i valori in tabella saranno diversi.

Produttore	Vermeiren							
Indirizzo	Vermeirenplein 1/15, B-2920 Kalmthout							
Tipo	Carrozzina manuale multifunzione							
Modello	EZ1							
Peso massimo dell'occupante	150 kg							
Descrizione	Dimensioni							
Larghezza effettiva del sedile	390 mm	420 mm	450 mm	480 mm	510 mm	540 mm	570 mm	
Larghezza complessiva (in base alla larghezza del sedile)	600 mm	630 mm	660 mm	690 mm	720 mm	750 mm	780 mm	
Altezza dello schienale	500 mm 600 mm	600 mm	500 mm 600 mm	600 mm	500 mm 600 mm	600 mm		
Descrizione	Dimensioni minime			Dimensioni massime				
Lunghezza complessiva con poggiatesta	1116 mm			1122 mm				
Lunghezza ripiegata	790 mm							
Larghezza ripiegata	700 mm							
Altezza ripiegata	980 mm							
Peso totale	± 43,45 kg							
Massa della parte più pesante	23,80 kg							
Peso delle parti smontabili o rimovibili	Poggiatesta: 6,20 kg ; Braccioli: 3,00 kg; Ruote posteriori: 4,15 kg; Imbottitura sedile: 1,5 kg; Poggiatesta: 1,35 kg							
Stabilità statica in discesa	10° (in configurazione standard)							
Stabilità statica in salita	10° (in configurazione standard)							
Stabilità statica laterale	10° (in configurazione standard)							
Superamento degli ostacoli	60 mm							
Inclinazione del piano del sedile	-5°			+15°				
Profondità effettiva del sedile	430 mm			520 mm				
Altezza della superficie del sedile all'estremità anteriore (senza imbottitura)	490 mm			620 mm				
Sedile imbottito	80 mm							
Inclinazione dello schienale	0°			50°				
Distanza tra piatto pedana e sedile	440 mm			580 mm				
Angolazione tra sedile e piatto pedana	-3°			10°				
Distanza tra imbottitura dei braccioli e sedile	190 mm			290 mm				
Posizione anteriore della struttura del bracciolo	380 mm			430 mm				
Diametro dei corrimano	495 mm							
Posizione orizzontale dell'asse (deflessione)	140 mm			170 mm				
Raggio di sterzata minimo	1133 mm							
Diametro delle ruote posteriori in PU	12,5" (T30)	22"			24"			
Pressione di gonfiaggio pneumatici, ruote motrici/posteriori (per pneumatici con camera d'aria)	Non applicabile							
Diametro delle ruote direttrici in PU	200 x 50 (8")							
Pressione di gonfiaggio pneumatici, ruote direttrici (per pneumatici con camera d'aria)	Non applicabile							
Colore telaio / rivestimento	C21 Rosso metallizzato scuro / grigio chiaro							

Temperatura per utilizzo e conservazione	+ 5 °C	+ 41 °C
Umidità per utilizzo e conservazione	30%	70%
La casa produttrice si riserva il diritto di apportare modifiche tecniche. Tolleranza misurazioni ± 15 mm / 1,5 kg / °		

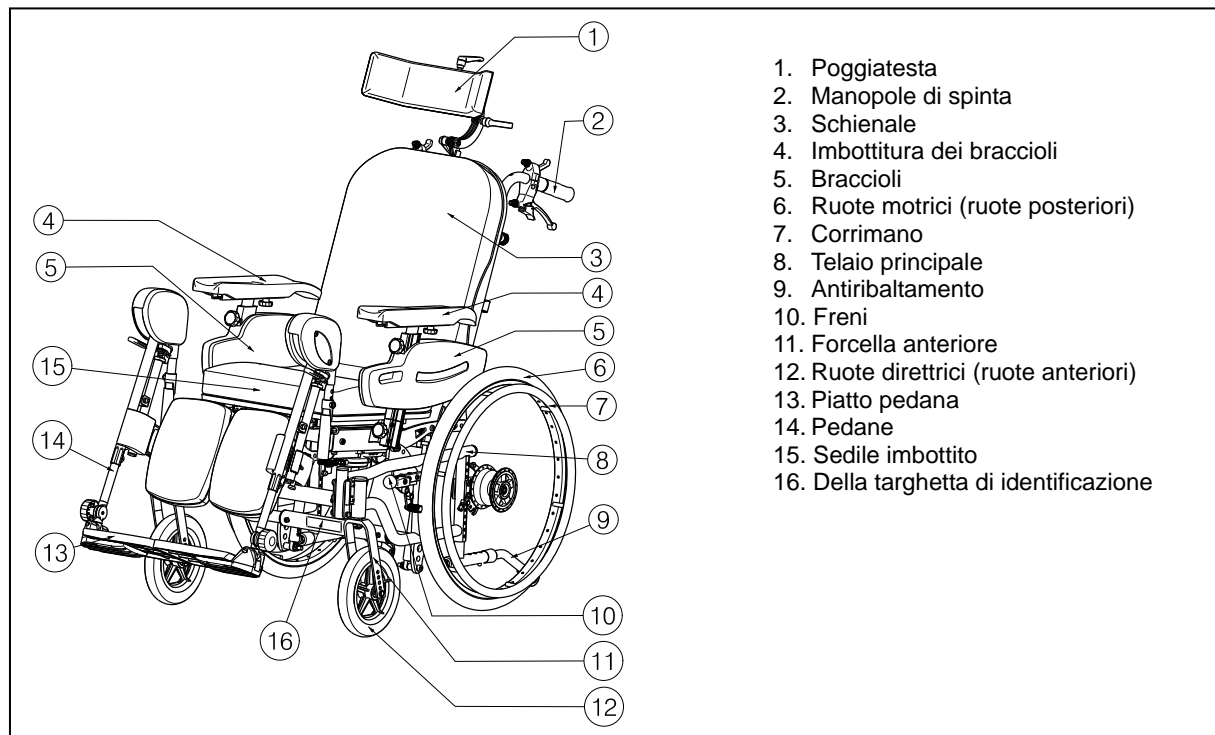
Tabella 1: Specifiche tecniche EZ1

La carrozzina è conforme ai requisiti stabiliti dalle normative:

ISO 7176-8: Requisiti e test per prove di stabilità, d'urto e di fatica.

EN 1021-1: Verifica dell'accendibilità dei mobili imbottiti - Sorgente di accensione: sigaretta in combustione lenta

1.3 Schema




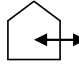

1.4 Accessori

Per il modello EZ1 sono disponibili gli accessori seguenti:

- Cintura pelvica anteriore (B20, B58)
- Supporti laterali di spinta (L04)
- Tavolino in policarbonato (B115)
- Tavolino in legno (B12)
- Freni a tamburo (B74)
- Spessori orizzontali (B22)

Per informazioni su ulteriori accessori, rivolgersi al rivenditore specializzato che saprà consigliare la soluzione migliore in base alle esigenze.

1.5 Significato dei simboli

-  Peso massimo
-  Utilizzo interno ed esterno
-  Pendenza massima consentita



Conformità CE



Non utilizzabile come sedile in un veicolo a motore



Modello

1.6 Regole per la sicurezza

- ⚠ Verificare che nessun oggetto o parte del corpo finisca tra i raggi delle ruote motrici onde evitare lesioni e/o danni alla sedia a rotelle.
- ⚠ Prima di salire o scendere dalla carrozzina, innestare i freni di stazionamento.
- ⚠ Durante il montaggio o la rimozione dello schienale, del braccioli o di altre parti della carrozzina, innestare i freni di stazionamento.
- ⚠ Per salire e scendere dalla carrozzina non utilizzare le pedane come punto di appoggio. Piegare le pedane verso l'alto o ruotare i poggiapiedi completamente in modo che siano fuori dal raggio di movimento.
- ⚠ Verificare gli effetti dello spostamento del centro di gravità sulla carrozzina, ad esempio quando ci si trova su pendenze verso l'alto o verso il basso, su superfici inclinate lateralmente o durante il superamento di ostacoli. Chiedere assistenza a un accompagnatore.
- ⚠ Se si desidera raccogliere un oggetto da terra (di fronte, a lato o sul retro della carrozzina) fare attenzione a non chinarsi eccessivamente con rischio di ribaltamento.
- ⚠ Nel passaggio attraverso porte o archi, assicurarsi che sia disponibile spazio laterale sufficiente da evitare il rischio di schiacciamento delle mani o delle braccia o di danneggiamento della carrozzina.
- ⚠ Attenersi alle istruzioni d'uso della carrozzina. Evitare, ad esempio, di procedere senza frenare verso ostacoli (gradini, spigoli, soglie, ecc.) o dislivelli. La casa produttrice declina ogni e qualsiasi responsabilità per danni o lesioni derivanti da sovraccarico, collisioni o altri usi impropri.
- ⚠ Affrontare le scale solo con l'aiuto di un'assistente. Se disponibili, servirsi degli appositi sistemi e dispositivi, quali rampe o ascensori.
- ⚠ Nella marcia su strada, rispettare il codice della strada.
- ⚠ Come per tutti gli altri veicoli, è vietata la guida in stato di ebbrezza o sotto l'influsso di farmaci o droghe. Ciò vale anche per spostamenti in ambienti interni.
- ⚠ In ambienti esterni, tenere conto delle condizioni atmosferiche e del traffico.
- ⚠ Per il trasporto della carrozzina a rotelle non afferrarla per le parti mobili (braccioli, pedane, ecc.) ma per il telaio.
- ⚠ Per poter essere visibili nell'oscurità, indossare abiti chiari o dotati di catarifrangenti e verificare che i catadiottri presenti sui lati e sul retro della carrozzina, siano perfettamente visibili.
- ⚠ Non superare mai il carico massimo di 150 kg.
- ⚠ Durante la guida in ambienti esterni, indossare i guanti per migliorare la presa delle impugnature e per proteggere le mani dal calore e dalla polvere.
- ⚠ Per evitare il rischio di lesioni alle mani durante la guida, non infilare le dita tra la ruota motrice e il fermo di blocco della ruota.
- ⚠ Accertarsi che **non** vi siano oggetti o parti del corpo in prossimità della carrozzina durante le operazioni di regolazione. Rischio di schiacciamento.
- ⚠ Accertarsi che le ruote ad estrazione rapida siano ben fissate all'asse.
- ⚠ Tenere lontano dalle fiamme: rivestimento ignifugo, imbottitura infiammabile.

2 Utilizzo

Nel capitolo viene descritto l'utilizzo quotidiano. **Le presenti istruzioni sono destinate all'utente e al rivenditore specializzato.**

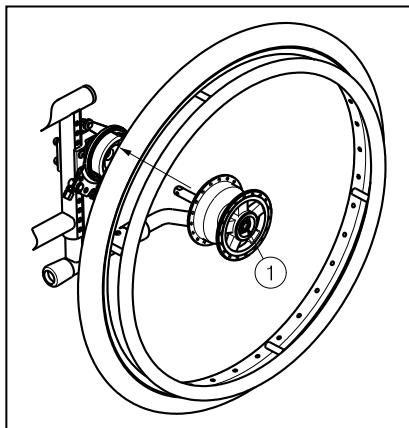
La carrozzina viene fornita completamente assemblata dal rivenditore. Le istruzioni destinate al rivenditore, relative alla configurazione della carrozzina sono descritte al punto § 3.

2.1 Trasporto della carrozzina

Il modo migliore per trasportare la carrozzina è facendola scorrere usufruendo delle ruote.

Se ciò non è possibile (per es. quando le ruote posteriori sono tolte per il trasporto in auto), afferrare saldamente il telaio dalla parte anteriore e dalle manopole di spinta. Non utilizzare la pedane, i braccioli o le ruote per afferrare la carrozzina.

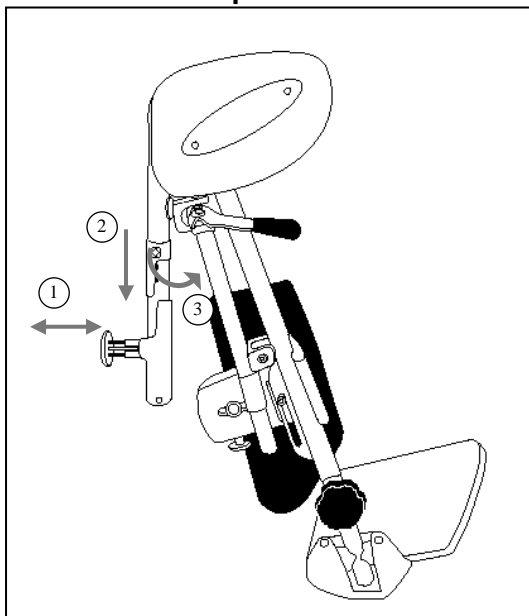
2.2 Montaggio delle ruote posteriori



1. Afferrare la ruota posteriore e premere il pulsante ①.
2. Tenere premuto il pulsante e montare l'asse delle ruote posteriori fino al punto d'arresto.
3. Rilasciare il pulsante ①.
4. Verificare che la ruota sia fissata.

2.3 Montaggio o rimozione della pedana

⚠ ATTENZIONE: Rischio di lesioni - Assicurarsi che la pedana sia montata saldamente prima di utilizzare la carrozzina.



Montare la pedana nel modo seguente:

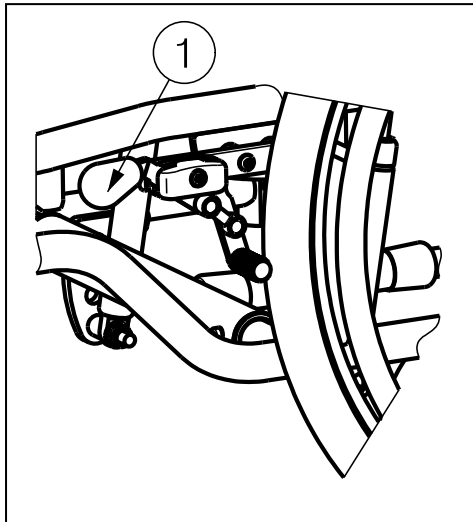
1. Sfilare il perno ① del fermo della pedana.
2. Inserire la pedana dall'alto nell'apposito alloggiamento. Rilasciare il perno ① della pedana. Per ruotare la pedana verso l'esterno, sfilare il perno ① e sollevarli leggermente (25 mm).
3. Ruotare la pedana verso l'esterno.
4. Piegare le piatto pedana verso il basso.

Per rimuovere la pedana:

1. Piegare le piatto pedana verso il basso.
2. Sfilare il perno ① del fermo della pedana.
3. Sfilare la pedana dall'apposito alloggiamento.
4. Rilasciare il perno ① del fermo della pedana.

2.4 Utilizzo dei freni

- ⚠ **AVVERTENZA:** Non utilizzare i freni per rallentare la carrozzina durante la marcia, utilizzarli solo per prevenire movimenti indesiderati della carrozzina.
- ⚠ **AVVERTENZA:** Sull'adeguato funzionamento dei freni incidono l'usura e la mancanza di pulizia delle ruote, ad esempio presenza di acqua, olio o fango. Verificare le condizioni delle ruote prima di ogni utilizzo.
- ⚠ **AVVERTENZA:** I freni sono regolabili e possono usurarsi. Verificare il funzionamento dei freni prima di ogni utilizzo.



Per frenare:

1. Spingere le impugnature dei freni in avanti ① fino a sentire un clic distinto.

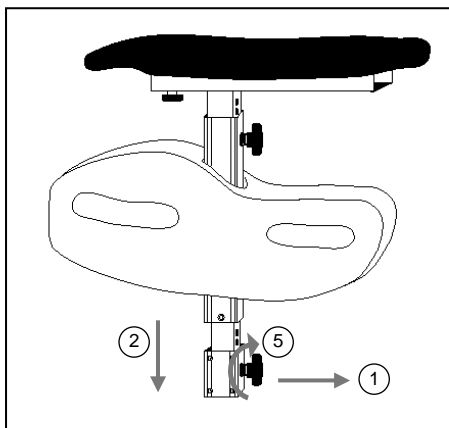
- ⚠ **ATTENZIONE:** Rischio di movimenti indesiderati - Accertarsi che la carrozzina sia su una superficie piana prima di rilasciare i freni. Non rilasciare mai entrambi i freni contemporaneamente.

Per rilasciare i freni:

1. Rilasciare un freno tirando l'impugnatura ① all'indietro.
2. Reggere il corrimano della ruota di rilascio con la mano.
3. Rilasciare l'altro freno tirando le impugnature ① all'indietro.

2.5 Montaggio o rimozione dei braccioli

- ⚠ **ATTENZIONE:** Rischio di schiacciamento - Tenere dita, indumenti, cinture lontano dalla parte inferiore dei braccioli.
- ⚠ **ATTENZIONE:** rischio di lesioni – Prima dell'uso, verificare che i braccioli siano bloccati saldamente nella posizione corretta.



Per montare i braccioli, attenersi alle istruzioni indicate di seguito.

1. Tirare verso l'esterno la manopola a stella ① .
2. Infilare il bracciolo dall'alto nell'apposito profilato tubolare ② .
3. Rilasciare la manopola a stella ① .
4. Verificare che il bracciolo sia fissato saldamente.
5. Ruotare la manopola a stella ① in senso orario fino a bloccarla.

Per rimuovere il bracciolo:

1. Ruotare la manopola a stella ① in senso antiorario.
2. Tirare verso l'esterno la manopola a stella ① .
3. Rimuovere il bracciolo dal profilato tubolare.

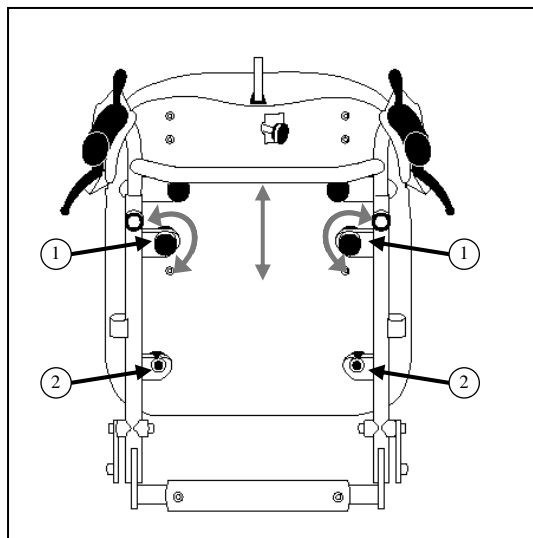
Per montare e rimuovere l'imbottitura dei braccioli fare riferimento alle istruzioni precedenti relative a "montaggio o rimozione dei braccioli".

2.6 Montaggio o rimozione del sedile imbottito

Fissare o rimuovere l'imbottitura dal sedile mediante le strisce di velcro.

2.7 Montaggio o rimozione dello schienale

- ⚠ **ATTENZIONE:** Rischio di lesioni - Assicurarsi che lo schienale sia montato saldamente nelle quattro staffe prima di utilizzare la carrozzina.
- ⚠ **ATTENZIONE:** Rischio di schiacciamento, danneggiamento – Accertarsi che i cavi delle manopole di spinta non rimangano schiacciati tra i profili tubolari dello schienale.



Per montare lo schienale, attenersi alle istruzioni indicate di seguito.

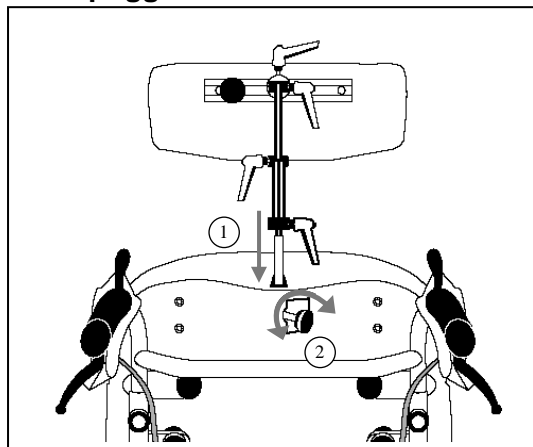
1. Montare lo schienale sulle quattro staffe ① + ②.
2. Girare le manopole a stella superiori per bloccarle manualmente.
3. Verificare che lo schienale sia fissato saldamente.

Per rimuovere lo schienale della carrozzina:

1. Allentare le manopole a stella superiori.
2. Tirare lo schienale verso l'alto sfilandolo dalle quattro staffe ① + ②.

2.8 Montaggio o rimozione del poggiatesta

- ⚠ **ATTENZIONE:** Rischio di lesioni – prima di utilizzare la carrozzina, accertarsi che il poggiatesta sia fissato saldamente.



Per montare il poggiatesta, attenersi alle istruzioni indicate di seguito.

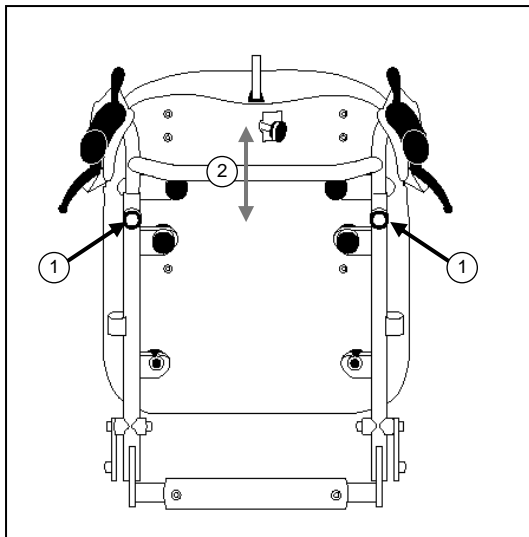
1. Infilare il poggiatesta nel profilato tubolare ①.
2. Ruotare la manopola a stella ② per bloccarla manualmente.
3. Verificare che il poggiatesta sia fissato saldamente.

Per rimuovere il poggiatesta dalla carrozzina:

1. Allentare la manopola a stella ②.
2. Tirare il poggiatesta verso l'alto sfilandolo dal profilato tubolare ①.

2.9 Regolazione delle manopole di spinta

- ⚠ **ATTENZIONE:** Rischio di lesioni – Prima di utilizzare la carrozzina, accertarsi che le manopole di spinta siano fissate saldamente.
- ⚠ **ATTENZIONE:** Rischio di ribaltamento – Rispettare l'altezza massima di regolazione, in caso contrario la stabilità della carrozzina risulterà compromessa. Utilizzare solo l'ultimo punto di regolazione del profilato tubolare.



Le manopole di spinta possono essere regolate in altezza in base alle esigenze dell'assistente. Per regolare le manopole di spinta, seguire la procedura seguente:

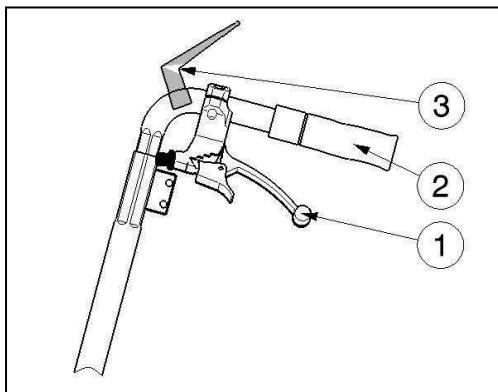
1. Allentare le manopole a stella ① su entrambi i lati.
2. Posizionare le manopole di spinta all'altezza appropriata per l'assistente.
3. Serrare nuovamente le manopole a stella ① su entrambi i lati.
4. Accertarsi che le manopole di spinta siano serrate fermamente.

2.10 Regolazione dello schienale / Inclinazione del sedile

- ⚠ **AVVERTENZA:** Rischio di ribaltamento - La stabilità diminuisce in proporzione alla regolazione del sedile all'indietro.
- ⚠ **AVVERTENZA:** Rischio di lesioni - Prima di regolare lo schienale, bloccare i freni di stazionamento e regolare l'inclinazione del sedile.

L'inclinazione del sedile e dello schienale può essere regolata contemporaneamente oppure in modo indipendente da un assistente. Durante la regolazione dello schienale e del sedile, assicurarsi che il paziente sia seduto nella carrozzina e prestare attenzione al rischio di ribaltamento.

Inclinazione sedile



1. Tirare la leva ① a sinistra (vedi etichetta) verso la manopole di spinta ② per regolare l'inclinazione del sedile.

Etichetta



2. Tirare o spingere il sedile nella posizione desiderata (da -5° a 15°), la molla di compressione a gas deve essere premuta verso l'interno o l'esterno.
3. Allentare la leva ① per bloccare la molla di compressione a gas.

Regolazione dello schienale:

1. Tirare la leva ① sul lato destro (vedi etichetta) verso la manopole di spinta ② per regolare l'inclinazione dello schienale.

Etichetta



2. Tirare o spingere lo schienale nella posizione desiderata (da -5° a +50°), la molla di compressione a gas deve essere premuta verso verso l'interno o l'esterno.
3. Allentare la leva ① per bloccare la molla di compressione a gas.

Nelle carrozzine dotate di freni a tamburo, le leve ① vengono utilizzate per frenare. Leve supplementari ③ sono state predisposte per la regolazione dello schienale e del sedile. Queste leve ③ possono essere azionate con il pollice.

2.11 Trasferimento della carrozzina all'interno e all'esterno

⚠ ATTENZIONE: Nel caso in cui non si riesca a eseguire il trasferimento in modo sicuro, chiedere assistenza.

⚠ ATTENZIONE: Rischio di ribaltamento della carrozzina - Non stare in piedi sul pedane.

1. Posizionare la carrozzina il più vicino possibile alla sedia, alla poltrona o al letto verso il quale si desidera trasferire il paziente.
2. Verificare che entrambi i freni della carrozzina siano attivati.
3. Ripiegare le pedane verso l'alto per evitarne l'utilizzo come punto di appoggio.
4. Se il trasferimento avviene sul fianco della carrozzina, è possibile rimuovere il braccioli e/o della pedana sul lato opportuno.
5. Trasferimento da/verso la carrozzina.

2.12 Posizione corretta nella carrozzina

Alcuni consigli per un utilizzo confortevole della carrozzina:

- Posizionare la parte posteriore il più vicino possibile allo schienale.
- Accertarsi che le cosce siano in posizione orizzontale, se necessario regolare la lunghezza dei poggiatesta. (vedi § 3.8.2)

2.13 Utilizzo della carrozzina

⚠ AVVERTENZA: Rischio di intrappolamento - Prestare attenzione a non impigliare le dita nei raggi delle ruote.

⚠ AVVERTENZA: Rischio di intrappolamento – Prestare attenzione durante il passaggio in spazi ristretti, ad esempio attraverso le porte.

⚠ AVVERTENZA: Pericolo di ustioni - Prestare attenzione durante l'uso in ambienti molto caldi o molto freddi, (esposizione al sole, freddo estremo, sauna, ecc.) per un periodo di tempo prolungato. Le superfici potrebbero assumere la stessa temperatura dell'ambiente in cui si trova la carrozzina.

1. Rilasciare i freni.
2. Portare entrambi i corrimano all'altezza massima.
3. Inclinarsi in avanti e spingere in avanti i corrimano fino a stendere le mani.
4. Far ruotare le mani lentamente all'indietro verso la parte superiore dei corrimano e ripetere il movimento.

2.14 Utilizzo della carrozzina da parte di un assistente

⚠ AVVERTENZA: Rischio di intrappolamento – Prestare attenzione durante il passaggio in spazi ristretti, ad esempio attraverso le porte.

⚠ AVVERTENZA: Pericolo di ustioni - Prestare attenzione durante l'uso in ambienti molto caldi o molto freddi, (esposizione al sole, freddo estremo, sauna, ecc.) per un periodo di tempo prolungato. Le superfici potrebbero assumere la stessa temperatura dell'ambiente in cui si trova la carrozzina.

La carrozzina può essere spinta da un assistente tramite le apposite manopole di spinta o la barra di spinta.

2.15 *Spostamento su superfici in pendenza*

- ⚠ **AVVERTENZA:** Controllare la velocità. Spostarsi sulle pendenze il più lentamente possibile.
 - ⚠ **AVVERTENZA:** Tenere in considerazione le capacità dell'accompagnatore. Se l'accompagnatore non ha forza per controllare la carrozzina, attivare i freni.
 - ⚠ **AVVERTENZA:** Rischio di ribaltamento . Inclinarsi in avanti per spostare il baricentro in avanti e per migliorare la stabilità.
1. Se disponibile sulla carrozzina, indossare la cintura di sicurezza.
 2. Non tentare di spostarsi su superfici in pendenza troppo ripide. Verificare la pendenza massima consentita (in salita e in discesa) nella tabella 1.
 3. Chiedere all'accompagnatore un aiuto per spostarsi su superfici in pendenza.
 4. Inclinarsi in avanti per spostare il baricentro in avanti.

2.16 *Superamento di gradini e scalini*

- ⚠ **AVVERTENZA:** Rischio di lesioni - Il trasporto del paziente sulle scale deve essere effettuato con almeno due assistenti.
- ⚠ **AVVERTENZA:** Rischio di lesioni - Indossare cinture di sicurezza appropriate durante il trasporto. Informazioni disponibili presso il rivenditore specializzato.
- ⚠ **AVVERTENZA:** Rischio di lesioni – Durante il trasporto, sedere tranquillamente in carrozzina, evitando movimenti bruschi. Se a causa della malattia o della disabilità, questo non è possibile, ad esempio nei casi di spasticità lieve, saranno necessarie almeno due persone per mettere in sicurezza la carrozzina su entrambi i lati afferrando le parti fisse del telaio.
- ⚠ **AVVERTENZA:** Rischio di lesioni - Durante il trasporto, fare attenzione che braccia e gambe non sporgano dalla carrozzina.
- ⚠ **AVVERTENZA:** Rischio di lesioni o danni - Assicurarsi che sotto la carrozzina non vi siano persone o oggetti durante il trasporto.
- ⚠ **AVVERTENZA:** Rischio di lesioni - Dopo avere rimosso i poggiatesta, le gambe del paziente non sono in sicurezza.

2.16.1 **Discesa da gradini e scalini**

La discesa dagli scalini o dai gradini può essere effettuata procedendo in avanti con l'assistenza di un accompagnatore.

1. Accertarsi che le manopole di spinta siano fissate saldamente.
2. Rimuovere i poggiatesta.
3. Chiedere all'accompagnatore di inclinare la carrozzina leggermente all'indietro con il dispositivo di ribaltamento.
4. Superare i gradini procedendo sulle ruote posteriori e spingendo la carrozzina in avanti.
5. Il secondo assistente garantirà la sicurezza della carrozzina frontalmente afferrando la parte anteriore del telaio dopo avere rimosso i poggiatesta. L'assistente deve procedere all'indietro.
6. Dopo avere superato il gradino, riportare la carrozzina sulle quattro ruote.

2.16.2 Salita di gradini e scalini

La salita degli scalini o dei gradini può essere effettuata procedendo all'indietro con l'assistenza di un accompagnatore.

1. Accertarsi che le manopole di spinta siano fissate saldamente.
2. Rimuovere i poggiapiedi.
3. Ruotare la carrozzina in modo che le ruote posteriori siano di fronte allo scalino.
4. Inclinarsi all'indietro per spostare il baricentro sulle ruote posteriori.
5. Chiedere all'accompagnatore di spingere la carrozzina verso lo scalino.
6. Il secondo assistente garantirà la sicurezza della carrozzina frontalmente afferrando la parte anteriore del telaio dopo avere rimosso i poggiapiedi. L'assistente deve procedere in avanti.
7. Assumere nuovamente la posizione normale nella carrozzina.

2.16.3 Fare le scale

- ⚠ **AVVERTENZA:** Rischio di ribaltamento. È possibile fare le scale facendosi assistere sempre da due accompagnatori.
- ⚠ **AVVERTENZA:** Rischio di lesioni - È vietato sollevare la carrozzina mentre il paziente è seduto all'interno della carrozzina stessa! Mantenere sempre le ruote posteriori a contatto con il suolo o le scale.
- ⚠ **AVVERTENZA:** Rischio di lesioni - Indossare cinture di sicurezza appropriate durante il trasporto. Informazioni disponibili presso il rivenditore specializzato.
- ⚠ **AVVERTENZA:** Rischio di lesioni o danni - Assicurarsi che sotto la carrozzina non vi siano persone o oggetti durante il trasporto.
- ⚠ **AVVERTENZA:** Rischio di lesioni - Dopo avere rimosso i poggiapiedi, le gambe del paziente non sono in sicurezza.

È possibile fare le scale adottando le regole indicate di seguito.

1. Rimuovere i poggiapiedi.
2. Far inclinare la carrozzina leggermente all'indietro all'accompagnatore.
3. Il secondo accompagnatore deve afferrare la parte anteriore del telaio.
4. Mantenere la calma, evitare movimenti improvvisi e tenere le braccia all'interno della carrozzina.
5. Fare le scale sulle ruote posteriori della carrozzina.
6. Montare nuovamente i poggiapiedi dopo aver fatto le scale.

2.16.4 Utilizzo delle rampe

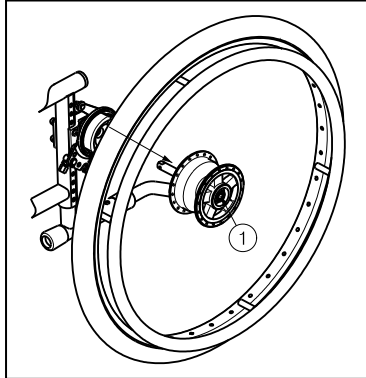
- ⚠ **AVVERTENZA:** Rischio di lesioni - Non superare il carico massimo sulle rampe.
- ⚠ **AVVERTENZA:** Rischio di lesioni - Per evitare danni o lesioni, scegliere il modello di rampe appropriato. La casa produttrice declina ogni e qualsiasi responsabilità per danni o lesioni derivanti da scelta di rampe non appropriate.
- ⚠ **AVVERTENZA:** Rischio di lesioni - Accertarsi che l'altezza delle ruote sia sufficiente per superare il dislivello iniziale della rampa. Il telaio della carrozzina non deve venire a contatto con le rampe.
- ⚠ **AVVERTENZA:** Rischio di lesioni - Utilizzare la cintura di sicurezza nella carrozzina.
- ⚠ **AVVERTENZA:** Rischio di ribaltamento - Impostare le funzioni di regolazione (sedile, schienale, poggiapiedi, ecc.) in modo da garantire la massima stabilità della carrozzina.

Se per superare un ostacolo si utilizza una rampa, osservare le seguenti precauzioni:
A causa del peso considerevole della carrozzina, si consiglia di evitare la salita di rampe in autonomia poiché si potrebbe non essere in grado di impedire lo scivolamento all'indietro della carrozzina.

Non salire o scendere mai dalle rampe senza l'aiuto di un assistente.

2.17 Smontare le ruote

Per agevolare il trasporto della carrozzina, è possibile rimuovere le ruote posteriori:



1. Accertarsi i freni siano in posizione corretta.
2. Impugnare la carrozzina dal telaio laterale dove si desidera rimuovere la ruota.
3. Premere il pulsante ① al centro del mozzo della ruota.
4. Estrarre la ruota dal telaio.

2.18 Trasporto in auto

- ⚠ **PERICOLO:** rischio di lesioni - Non è consentito utilizzare la carrozzina in sostituzione degli appositi seggiolini per il trasporto in auto.
- ⚠ **AVVERTENZA:** Rischio di lesioni - Controllare che la carrozzina sia fissata in modo adeguato, per evitare lesioni ai passeggeri in caso di collisioni o frenate brusche.
- ⚠ **AVVERTENZA:** Rischio di lesioni - **NON utilizzare la stessa cintura di sicurezza per il passeggero e per la carrozzina.**

Non utilizzare mai la carrozzina in sostituzione degli appositi seggiolini in un'automobile o in altri veicoli. Sulla carrozzina deve essere presente il simbolo seguente:



Per il trasporto della carrozzina in auto, attenersi alle istruzioni seguenti:

1. Regolare il sedile in posizione orizzontale e lo schienale in posizione verticale.
2. Rimuovere pedane, braccioli e accessori, ad esempio il poggiatesta.
3. Conservare i pedane, braccioli e gli accessori in un posto sicuro.
4. Se possibile ripiegare la carrozzina e rimuovere le ruote.
5. Sistemare la carrozzina nel portabagagli con l'aiuto di due persone.
6. Se lo scomparto della carrozzina e del passeggero NON sono separati, collegare il telaio della carrozzina in modo saldo al veicolo. È possibile utilizzare le cinture di sicurezza disponibili nel veicolo.
7. Fare accomodare il paziente nei sedili esistenti consigliati con la cintura di sicurezza.

3 Installazione e regolazione

Le istruzioni contenute nel presente capitolo sono destinate al rivenditore.

La carrozzina multifunzione Vermeiren EZ1 è stata concepita espressamente per il comfort del paziente. La carrozzina può essere regolata in base alle esigenze del paziente, come illustrato di seguito.

Per individuare il centro assistenza o il rivenditore specializzato più vicino, contattare il centro Vermeiren. Nell'ultima pagina del manuale, è disponibile un elenco di centri Vermeiren autorizzati.

- ⚠ **AVVERTENZA:** Rischio di regolazioni non sicure - Utilizzare solo le regolazioni descritte in questo manuale.
- ⚠ **AVVERTENZA:** La modifica delle regolazioni consentite può determinare una variazione nella stabilità della carrozzina (ribaltamento all'indietro o laterale).

3.1 Attrezzi

Per montare la carrozzina sono necessari i seguenti strumenti.

- Set di chiavi dal n° 10 al n° 19
- Set di chiavi a brugola dal n° 4 al n° 5

3.2 Modalità di consegna

La carrozzina Vermeiren EZ1 viene distribuita con:

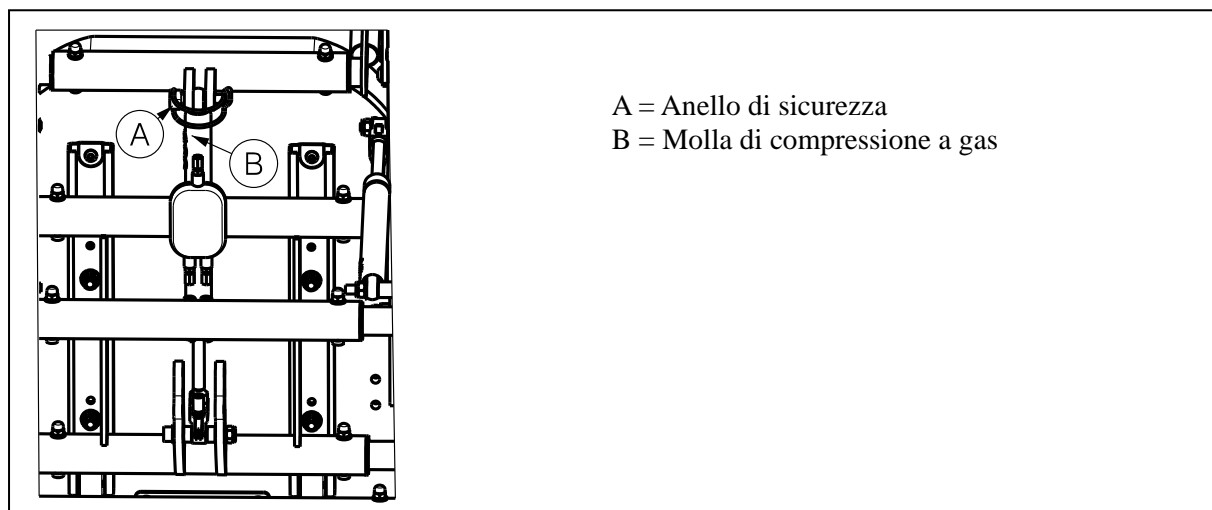
- 1 telaio con braccioli, ruote anteriori e posteriori
- 1 coppia di pedane
- Sedile anatomico (Fissati)
- Sedile anatomico (Fissati)
- Attrezzi
- Manuale
- Accessori

Alla consegna del prodotto, verificarne la funzionalità e la completezza.

I reclami in garanzia sono validi solo se il produttore ne riceverà notifica scritta entro due settimane. Per difetti non verificabili alla consegna, i reclami in garanzia sono validi solo se il produttore ne riceverà notifica scritta entro due settimane dopo l'accertamento.

3.3 Montaggio del telaio

- ⚠ **AVVERTENZA:** Rischio di schiacciamento – Accertarsi che nessun cavo rimanga schiacciato o impigliato.
- ⚠ **AVVERTENZA:** Rischio di lesioni - Accertarsi che l'anello di sicurezza Ⓐ sia fissato saldamente

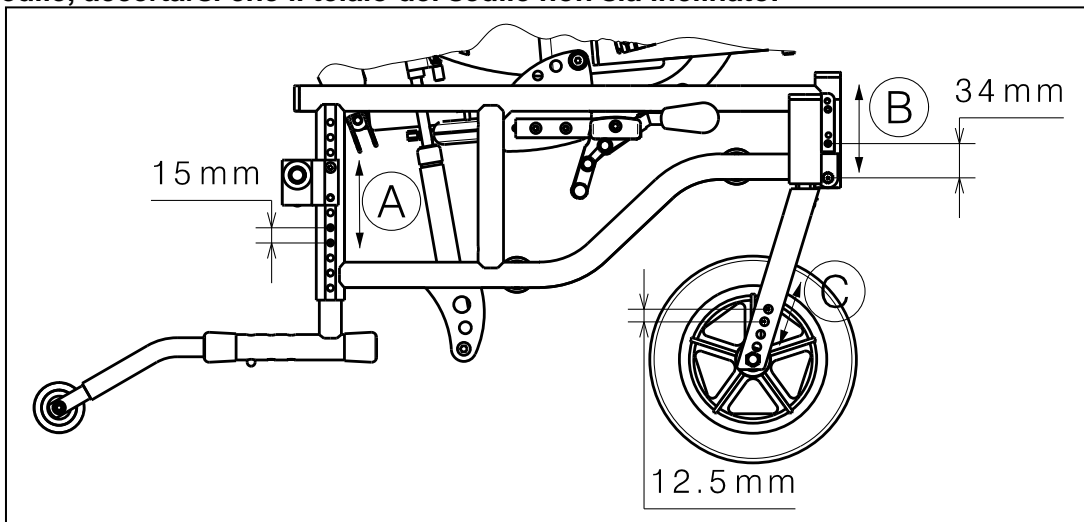


Dopo avere rimosso la carrozzina dall'imballaggio originale, montare il telaio:

1. Regolare lo schienale in posizione verticale a 90°.
2. Regolare l'anello di sicurezza Ⓐ nei fori appropriati. Uno per fissare la molla a compressione a gas Ⓑ, situata sotto la parte posteriore del telaio del sedile.

3.4 Regolazione dell'altezza del sedile

- ⚠ **AVVERTENZA:** Rischio di lesioni - Assicurarsi che tutte le viti siano serrate saldamente. Controllare che le viti non siano danneggiate.
- ⚠ **AVVERTENZA:** Rischio di lesioni - I dadi autobloccanti devono essere utilizzati una sola volta.
- ⚠ **AVVERTENZA:** rischio di lesioni - Prestare attenzione a non schiacciare le dita durante il montaggio dei componenti.
- ⚠ **AVVERTENZA:** Rischio di ribaltamento – Durante la regolazione dell'altezza del sedile, accertarsi che il telaio del sedile non sia inclinato.

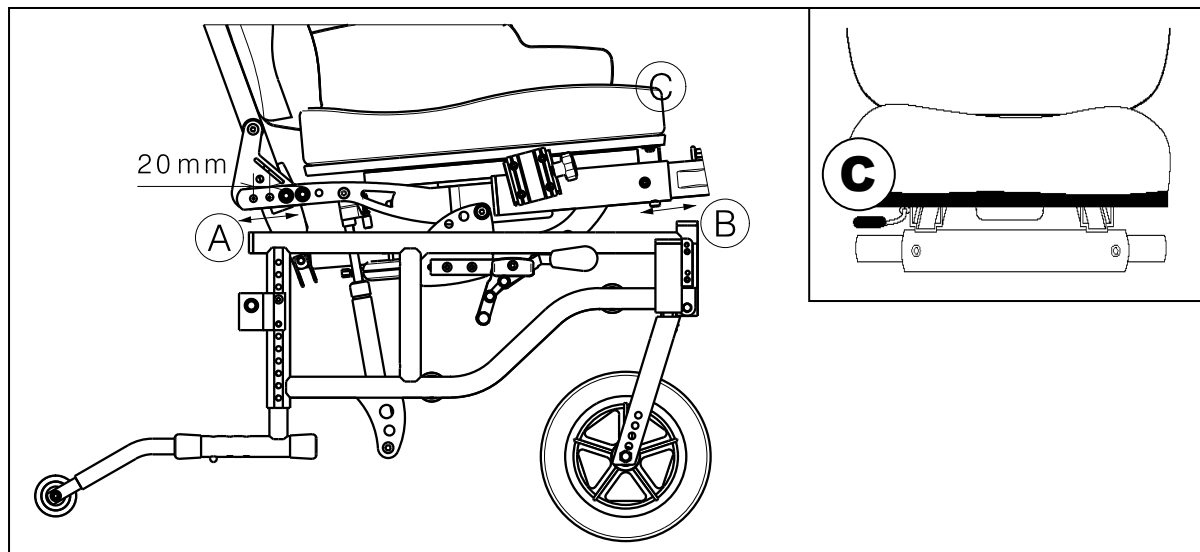


- A** **Ruote motrici del blocco asse**
1. Svitare le due viti per il fissaggio del blocco asse delle ruote posteriori al telaio.
 2. Collocare il blocco asse all'altezza desiderata (incrementi fissi di 15 mm).
 3. Serrare nuovamente le due viti.
 4. Regolare i freni.
- B** **Adattatore della ruota direttrice**
1. Svitare le due viti dell'adattatore della ruota direttrice.
 2. Collocare l'adattatore della ruota direttrice nella posizione desiderata (2 posizioni: incrementi fissi di 34 mm).
 3. Serrare le viti in modo adeguato.
- C** **Forcella della ruota anteriore**
1. Svitare dalla forcella anteriore le viti degli assi delle ruote anteriori.
 2. Collocare la ruota direttrice nella posizione desiderata sulla forcella direttrice (incrementi fissi di 12,5 mm).
 3. Serrare le viti in modo adeguato.

3.5 Regolazione della profondità del sedile

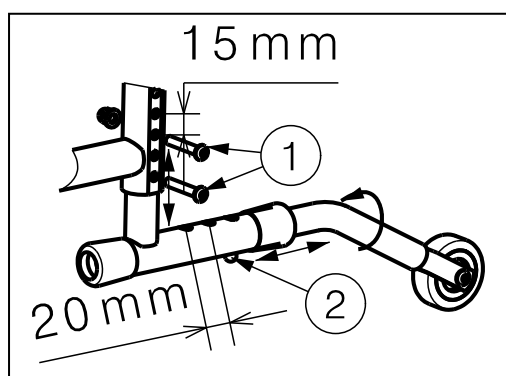
- ⚠ **AVVERTENZA:** Rischio di lesioni - Assicurarsi che tutte le viti siano serrate saldamente. Controllare che le viti non siano danneggiate.
- ⚠ **AVVERTENZA:** Rischio di lesioni - I dadi autobloccanti devono essere utilizzati una sola volta.
- ⚠ **AVVERTENZA:** rischio di lesioni - Prestare attenzione a non schiacciare le dita durante il montaggio dei componenti.

Quando la profondità del sedile viene regolata al limite del telaio posteriore e viene utilizzata la molla di compressione a gas per la regolazione dello schienale, potrebbe esserci uno spazio vuoto tra lo schienale e le imbottiture del sedile.



- A**
1. Allentare le viti su entrambi i lati nel punto in cui il telaio dello schienale è collegato al telaio del sedile.
 2. Tirare il telaio dello schienale nella posizione desiderata (4 posizioni: incrementi fissi di 20 mm.).
 3. Serrare nuovamente le viti su entrambi i lati.
 4. Regolare i freni.
- B**
1. Allentare le viti nel punto in cui il pedane sono collegati al telaio del sedile.
 2. Spostare il profilato tubolare della pedana nella posizione desiderata (senza incrementi fissi).
 3. Serrare nuovamente le viti saldamente.
- C**
1. Tirare la leva per muovere il telaio del sedile verso l'alto. La leva è situata sotto la parte anteriore del sedile.
 2. Spostare il sedile nella posizione desiderata (senza incrementi fissi).
 3. Rilasciare la leva. Il sedile sarà ora bloccato nella posizione desiderata.

3.6 Regolazione del antiribaltamento



Accertarsi che il antiribaltamento sia regolato correttamente in modo da evitare il ribaltamento della carrozzina.

3.6.1 Regolazione dell'altezza

1. Allentare le viti ①.
2. Spostare il antiribaltamento nella posizione desiderata.
3. Serrare nuovamente le viti ① in modo saldo.

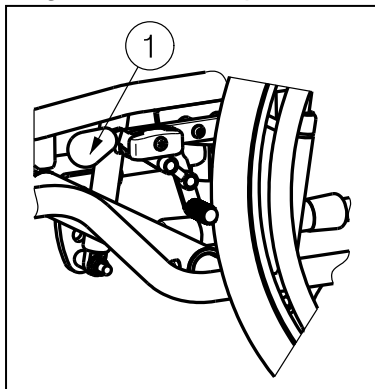
3.6.2 Regolazione della profondità

1. Premere il pulsante a molla ②.
2. Spostare il antiribaltamento nella posizione desiderata. Sono disponibili 3 posizioni.
3. Rilasciare il pulsante a molla ①.
4. Accertarsi che il pulsante a molla ① sia fissato saldamente nel foro.

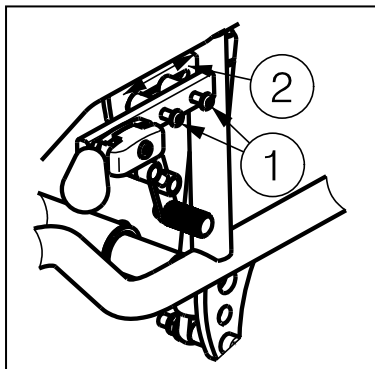
3.7 Regolazione dei freni

⚠ AVVERTENZA: rischio di lesione. I freni devono essere regolati solo dal rivenditore specializzato.

Regolare i freni rispettando ai criteri seguenti:



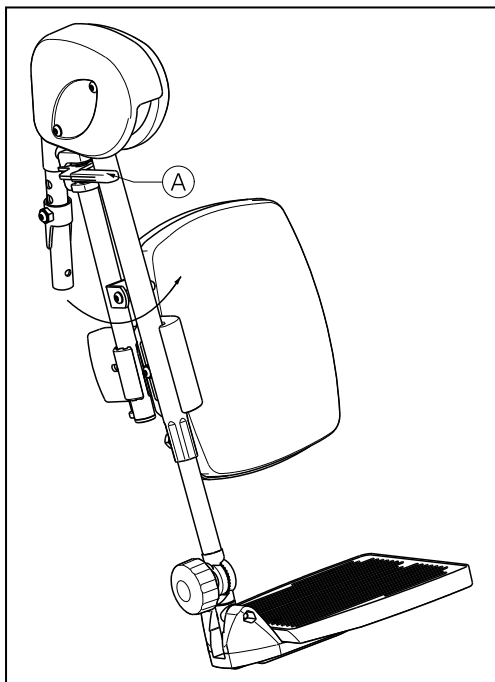
1. Installare le ruote in base alle indicazioni della sezione § 2.2.
2. Sganciare i freni tirando la leva ① all'indietro.



3. Allentare i bulloni ① in modo che il meccanismo del freno possa scorrere oltre la guida ②.
4. Tirare il freno oltre la guida ② fino alla posizione desiderata.
5. Serrare nuovamente i bulloni ①.
6. Verificare il funzionamento dei freni.
7. Se necessario, ripetere i passaggi precedenti fino a ottenere una regolazione appropriata.

3.8 Regolazione delle pedane

3.8.1 Inclinazione delle pedane



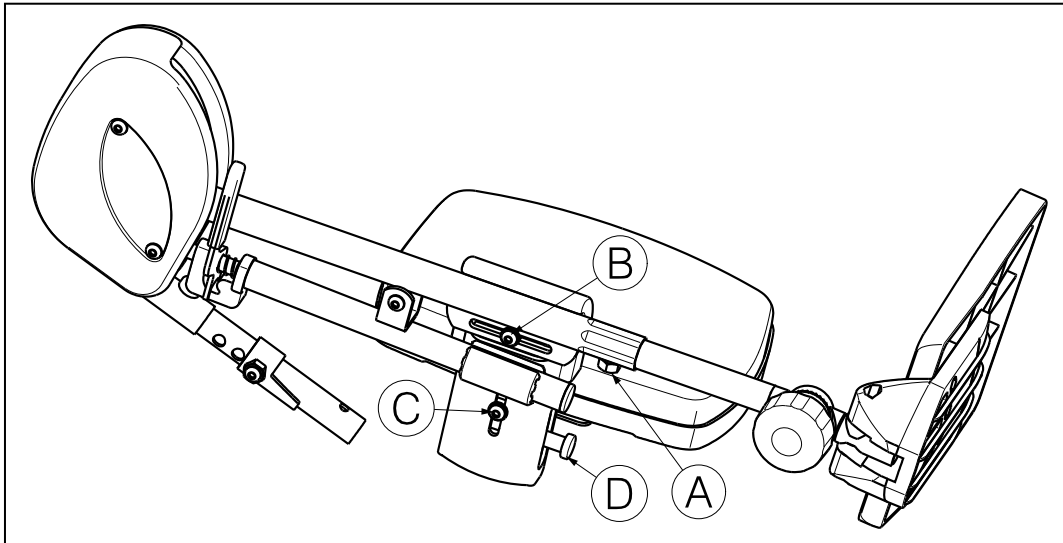
Per alzare la pedana:

1. Alzare la pedana.
2. Rilasciare la pedana, si bloccherà automaticamente con l'inclinazione desiderata (fino a 113°).

Per abbassare la pedana:

1. Tirare la maniglia (A) verso l'alto.
2. Collocare la pedana nella posizione desiderata.
3. Rilasciare la maniglia (A).

3.8.2 Lunghezza delle pedane



⚠ ATTENZIONE: Rischio di lesioni – Verificare che la pedana siano regolati nella stessa posizione.

⚠ ATTENZIONE: Rischio di danneggiamento - Evitare che i piatto pedana siano a contatto con il suolo. Tenere una distanza minima di 60 mm dal suolo.

Regolare la lunghezza dei poggiatesta nel modo seguente:

1. Allentare la vite (A).
2. Regolare il pedana con una lunghezza confortevole per il paziente (intervallo di 140 mm: senza incrementi fissi).
3. Serrare le viti (A) in modo adeguato.

3.8.3 Altezza dei cuscinetto appoggia-polpacci

Regolare l'altezza dei cuscinetto appoggia-polpacci nel modo seguente:

1. Allentare la vite (B).
2. Regolare l'altezza del cuscinetto appoggia-polpacci in una posizione confortevole per il paziente (intervallo di 50 mm: senza incrementi fissi).
3. Serrare la vite (B) in modo adeguato.

3.8.4 Profondità dei cuscinetto appoggia-polpacci

Regolare la profondità dei cuscinetto appoggia-polpacci nel modo seguente:

1. Allentare la vite (C).
2. Regolare la profondità del cuscinetto appoggia-polpacci in una posizione confortevole per il paziente (intervallo di 40 mm: senza incrementi fissi).
3. Serrare la vite (C) in modo adeguato.

3.8.5 Larghezza dei cuscinetto appoggia-polpacci

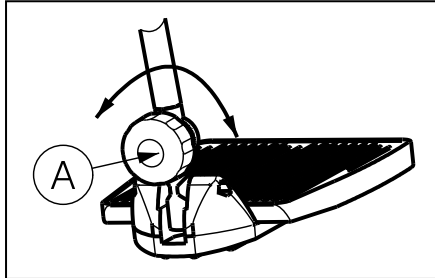
Regolare la larghezza dei cuscinetto appoggia-polpacci nel modo seguente:

1. Allentare le 2 viti sul retro dell'imbottitura del cuscinetto appoggia-polpacci.
2. Regolare i cuscinetto appoggia-polpacci con una larghezza confortevole per il paziente.
3. Serrare le viti in modo adeguato.

3.8.6 Ripiegare i cuscinetto appoggia-polpacci

1. Premere il pulsante ①.
2. Ripiegare i cuscinetto appoggia-polpacci.
3. Rilasciare il pulsante ①.

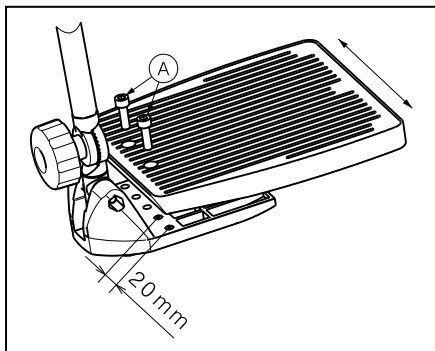
3.8.7 Inclinazione della piatto pedana



Regolare l'inclinazione della piatto pedana nel modo seguente:

1. Allentare la manopola a stella nera ①.
2. Ruotare la piatto pedana fino a raggiungere l'inclinazione desiderata.
3. Serrare la manopola a stella ① in modo adeguato.

3.8.8 Profondità della piatto pedana



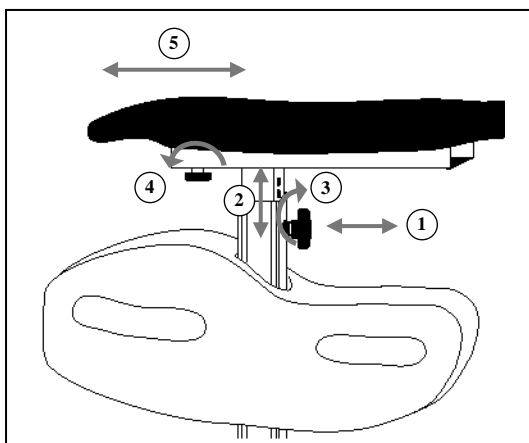
Regolare la profondità della piatto pedana nel modo seguente:

1. Rimuovere le due viti ① sulla piatto pedana.
2. Regolare la piatto pedana a una profondità confortevole per il paziente. Sono disponibili 3 posizioni.
3. Serrare le viti ① in modo adeguato.

3.9 Regolazione del imbottitura dei braccioli

⚠ ATTENZIONE: Rischio di lesioni – Verificare che la imbottitura dei braccioli siano regolati nella stessa posizione.

3.9.1 Altezza dei imbottitura dei braccioli



Per regolare l'altezza del imbottitura dei braccioli:

1. Tirare verso l'esterno il perno di fissaggio ①.
2. Spingere o tirare il imbottitura dei braccioli nella posizione desiderata ②.
3. Rilasciare il perno di fissaggio ①.
4. Ruotare la manopola a stella in senso orario ③.
5. Accertarsi che il imbottitura dei braccioli sia fissato saldamente.

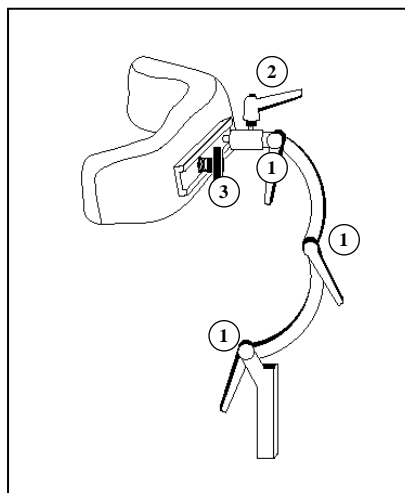
3.9.2 Profondità del imbottitura dei braccioli

Per regolare la profondità del imbottitura dei braccioli:

1. Allentare la vite di bloccaggio ④ sotto il imbottitura dei braccioli.
2. Regolare il imbottitura dei braccioli nella posizione desiderata ⑤.
3. Fissare saldamente la vite ④ manualmente.

3.10 Regolazione del poggiatesta

- ⚠ **AVVERTENZA:** Rischio di lesioni - Assicurarsi che tutte le viti siano serrate saldamente.
- ⚠ **AVVERTENZA:** Rischio di lesioni ergonomiche – Accertarsi che il poggiatesta sia regolato nella posizione più confortevole possibile per il paziente e che non venga applicata alcuna pressione o tensione.



3.10.1 Altezza e profondità del poggiatesta

Per regolare altezza e profondità del poggiatesta:

1. Allentare le leve ①.
2. Regolare il poggiatesta nella posizione desiderata.
3. Fissare saldamente le leve ① manualmente.

3.10.2 Rotazione dell'imbottitura

L'imbottitura del poggiatesta può ruotare di 60°.

1. Allentare la leva ②.
2. Regolare l'imbottitura del poggiatesta nella posizione desiderata.
3. Fissare saldamente la leva ② manualmente.

3.10.3 Profondità dell'imbottitura del poggiatesta

L'imbottitura del poggiatesta può essere spostata lateralmente:

1. Allentare la manopola a stella ③.
2. Regolare l'imbottitura del poggiatesta nella posizione desiderata.
3. Serrare nuovamente la manopola a stella ③ manualmente.

4 Manutenzione

Per il manuale di manutenzione della carrozzine consultate il sito web Vermeiren: www.vermeiren.be.

Índice

Introducción	2
1 Descripción del producto.....	3
1.1 Uso previsto.....	3
1.2 Especificaciones técnicas	4
1.3 Esquema	5
1.4 Accesorios	5
1.5 Explicación de los símbolos	6
1.6 Normas de seguridad.....	6
2 Uso.....	7
2.1 Transporte de la silla de ruedas	7
2.2 Montaje de las ruedas traseras.....	7
2.3 Montaje y desmontaje de los reposapiés	8
2.4 Accionamiento de los frenos	8
2.5 Montaje y desmontaje de reposabrazos.....	9
2.6 Montaje o desmontaje del cojín del asiento	9
2.7 Montaje o desmontaje del respaldo.....	9
2.8 Montaje o desmontaje del reposacabezas.....	10
2.9 Ajuste de las empuñaduras	10
2.10 Ajuste del respaldo/inclinación del asiento.....	11
2.11 Traslado a la silla de ruedas y desde esta	12
2.12 Posición correcta en la silla de ruedas.....	12
2.13 Conducción de la silla de ruedas	12
2.14 Conducción de la silla de ruedas con un acompañante	12
2.15 Desplazamiento por pendientes.....	13
2.16 Franqueo de peldaños y bordillos.....	13
2.17 Extracción de las ruedas	15
2.18 Transporte en coche.....	15
3 Instalación y ajuste	16
3.1 Herramientas	16
3.2 Forma de suministro.....	16
3.3 Montaje del armazón.....	17
3.4 Ajuste de la altura del asiento	17
3.5 Ajuste de la profundidad del asiento	18
3.6 Ajuste de las protección antivuelco.....	19
3.7 Ajuste de los frenos	20
3.8 Ajuste de los reposapiés	20
3.9 Ajuste de los almohadillas del reposabrazos.....	22
3.10 Ajuste del reposacabezas.....	23
4 Mantenimiento	23



Introducción

En primer lugar, nos gustaría agradecerle que haya confiado en nosotros escogiendo una de nuestras sillas de ruedas.

Las sillas de ruedas Vermeiren son el resultado de muchos años de experiencia e investigación. Durante su desarrollo, hemos puesto especial atención en crear una silla de ruedas práctica y fácil de usar.

La vida de su silla de ruedas dependerá en gran medida de los cuidados y el mantenimiento que le dedique.

Este manual le permitirá familiarizarse con el funcionamiento de su silla de ruedas.

El seguimiento de las instrucciones para el usuario y de las instrucciones de mantenimiento es parte indispensable de la garantía.

Este manual incluye las mejoras de producto más recientes. Vermeiren se reserva el derecho de introducir cambios sin tener ninguna obligación de adaptar o sustituir los modelos entregados previamente.

Si tiene más preguntas, le rogamos que consulte a su distribuidor especializado.

1 Descripción del producto

1.1 *Uso previsto*

La silla de ruedas está diseñada para personas con movilidad reducida o nula.

La silla de ruedas está diseñada para transportar 1 persona.

La silla de ruedas está diseñada para su uso en espacios exteriores, con limitaciones, y en interiores.

El usuario puede propulsar él mismo la silla de ruedas o disponer de un acompañante que la empuje.

Los diferentes tipos de accesorios y su construcción modular permiten que sea usada plenamente por personas discapacitadas debido a:

- parálisis
- pérdida de miembros (amputación de piernas)
- deformaciones o defectos en los miembros
- articulaciones anquilosadas o dañadas
- insuficiencias cardíacas o circulatorias
- problemas de equilibrio
- caquexia (atrofia muscular)
- así como por ancianos

En cada caso particular, también se debe tener en cuenta lo siguiente:

- envergadura y peso (máx. 150 kg)
- estado físico y psicológico
- características de la vivienda
- entorno

Utilice la silla de ruedas únicamente en superficies que permitan que las cuatro ruedas estén en contacto con el suelo y donde haya suficiente contacto para propulsar las ruedas por igual.

Practique para poder desplazarse por superficies irregulares (adoquines, etc.), pendientes, curvas y para superar obstáculos (bordillos, etc.).

La silla de ruedas no debe usarse como escalera, ni tampoco como medio de transporte para objetos pesados o calientes.

Si la utiliza encima de alfombras, suelos enmoquetados o suelos con recubrimientos que no estén fijados, podría dañar dichos recubrimientos.

Utilice solo accesorios Vermeiren aprobados.

El fabricante no asumirá responsabilidad alguna por los daños causados por la falta de mantenimiento, por un mantenimiento inadecuado o si no se siguen las instrucciones indicadas en este manual.

El cumplimiento de las instrucciones del usuario y de mantenimiento es parte indispensable de la garantía.

Las personas con deficiencias visuales pueden ponerse en contacto con el distribuidor para obtener las instrucciones de uso.

1.2 Especificaciones técnicas

Las especificaciones técnicas indicadas a continuación son válidas para sillas de ruedas con configuración estándar y con ruedas traseras de 22". En caso de utilizar reposapiés/reposabrazos u otros accesorios diferentes a los indicados, los valores cambian.

Fabricante	Vermeiren						
Dirección	Vermeirenplein 1/15, B-2920 Kalmthout						
Tipo	Silla de ruedas multifuncional manual						
Modelo	EZ1						
Peso máximo del ocupante	150 kg						
Descripción	Dimensiones						
Anchura útil del asiento	390 mm	420 mm	450 mm	480 mm	510 mm	540 mm	570 mm
Anchura total (depende de la anchura del asiento)	600 mm	630 mm	660 mm	690 mm	720 mm	750 mm	780 mm
Altura del respaldo	500 mm 600 mm	600 mm	500 mm 600 mm	600 mm	500 mm 600 mm	600 mm	
Descripción	Dimensiones mín.			Dimensiones máx.			
Longitud total con reposapiés	1116 mm			1122 mm			
Longitud plegada	790 mm						
Anchura plegada	700 mm						
Altura plegada	980 mm						
Peso total	± 43,45 kg						
Peso de la parte más pesada	23,80 kg						
Peso de las partes que pueden desmontarse o quitarse.	Reposapiés: 6,20 kg ; reposabrazos: 3,00 kg; Ruedas traseras: 4,15 kg; Cojín del asiento: 1,5 kg; Reposacabezas: 1,35 kg						
Estabilidad estática en pendientes descendentes	10° (con la configuración estándar)						
Estabilidad estática en pendientes ascendentes	10° (con la configuración estándar)						
Estabilidad estática lateral	10° (con la configuración estándar)						
Superación de obstáculos	60 mm						
Ángulo plano del asiento	-5°			+15°			
Profundidad útil del asiento	430 mm			520 mm			
Altura de la superficie del asiento en la parte delantera (con cojín)	490 mm			620 mm			
Cojín del asiento	80 mm						
Ángulo del respaldo	0°			50°			
Distancia entre el reposapiés y el asiento	440 mm			580 mm			
Ángulo entre el asiento y el reposapiés	-3°			10°			
Distancia entre el almohadillas del reposabrazos y el asiento	190 mm			290 mm			
Ubicación delantera del armazón del reposabrazos	380 mm			430 mm			
Diámetro del aro de propulsión	495 mm						
Ubicación horizontal del eje (deflexión)	140 mm			170 mm			
Radio de giro mínimo	1133 mm						
Diámetro de ruedas traseras PUR	12,5" (T30)		22"		24"		
Presión de los neumáticos, ruedas traseras (de tracción) (para neumáticos de aire)	No aplicable						
Diámetro de las ruedas de dirección PUR	200 x 50 (8")						
Presión de los neumáticos, ruedas de dirección	No aplicable						

(para neumáticos de aire)		
Color del armazón / tapicería	C21 Rojo oscuro metalizado / gris claro	
Temperatura de almacenamiento y de uso	+ 5 °C	+ 41 °C
Humedad de almacenamiento y de uso	30%	70%
Nos reservamos el derecho a aplicar modificaciones técnicas. Tolerancia de las medidas ± 15 mm / 1,5 kg / °		

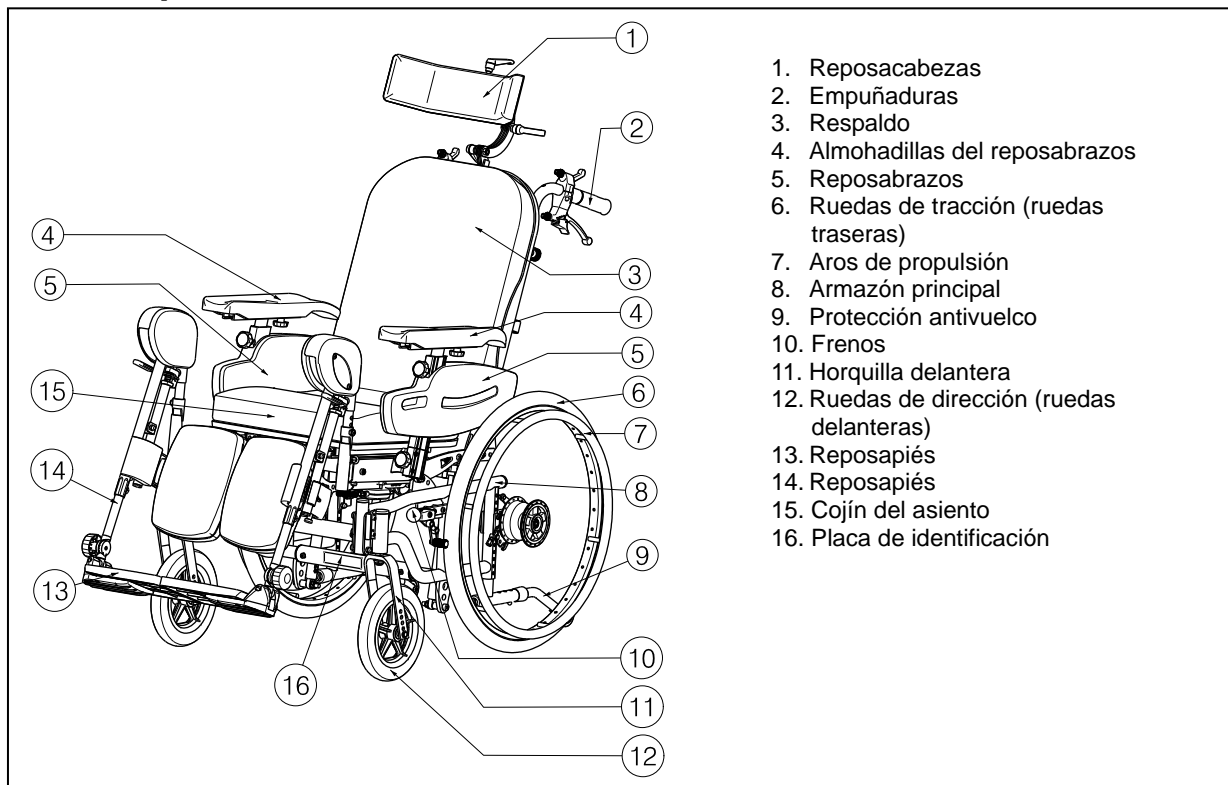
Tabla 1: Especificaciones técnicas EZ1

La silla de ruedas cumple las especificaciones siguientes:

ISO 7176-8: Especificaciones y métodos de prueba de resistencia estática, a impactos y a la fatiga.

EN 1021-1: Evaluación de la ignición del mobiliario tapizado; un cigarrillo encendido como fuente de ignición

1.3 Esquema



1.4 Accesorios

La EZ1 cuenta con los siguientes accesorios:

- Cinturón pélvico anterior (B20, B58)
- Los soportes laterales (L04)
- Mesa terapéutica de policarbonato (B115)
- Mesa de madera (B12)
- Frenos de tambor (B74)
- Cuña horizontal (B22)

Si busca otros accesorios, póngase en contacto con su distribuidor especializado. Estará encantado de aconsejarle.

1.5 Explicación de los símbolos



Peso máximo



Uso en el interior y en el exterior



Pendiente máxima segura



Conformidad con la normativa CE



No debe utilizarse como asiento en un vehículo de motor



Designación de tipo

1.6 Normas de seguridad

- ⚠ Para evitar lesiones o daños en su silla de ruedas, asegúrese de que no haya objetos ni ninguna parte del cuerpo atrapados en los radios de las ruedas de tracción.
- ⚠ Los frenos de estacionamiento deben ajustarse antes de sentarse o levantarse de la silla de ruedas.
- ⚠ Al ajustar o montar el respaldo, los reposabrazos, etc., es necesario aplicar los frenos de estacionamiento.
- ⚠ Al sentarse y levantarse de la silla de ruedas, no se ponga de pie sobre los estribos. Primero deberían plegarse los reposapiés hacia arriba, o girar completamente los reposapiés para las piernas hacia fuera.
- ⚠ Investigue el efecto de los cambios de centro de gravedad en el comportamiento de la silla de ruedas, por ejemplo en pendientes ascendentes o descendientes, terrenos con pendientes laterales o al superar obstáculos. Obtenga ayuda de un acompañante.
- ⚠ Si desea alcanzar algo (ya sea inclinándose hacia delante, hacia detrás o hacia un lateral de la silla de ruedas), procure no inclinarse demasiado para no correr el riesgo de caerse.
- ⚠ Cuando se desplace a través de puertas, arcos o zonas similares, asegúrese de que haya suficiente espacio en los laterales para que las manos o los brazos no queden atrapados ni aplastados, y para no dañar la silla de ruedas.
- ⚠ Utilice la silla de ruedas solo de acuerdo con las instrucciones. Por ejemplo, evite rodar de forma incontrolada y golpear contra algún obstáculo (escalones, bordillos, marcos de las puertas, etc.) o dejarse caer desde bordillos. El fabricante no se hace responsable de los daños por sobrecarga, colisión u otro uso indebido.
- ⚠ Las escaleras solo deben franquearse con la ayuda de otra persona. Si hay disponibles instalaciones para facilitar el paso, como rampas o ascensores, utilícelas.
- ⚠ Al circular por vías públicas, está sujeto a las normas de tráfico.
- ⚠ No conduzca la silla de ruedas bajo la influencia del alcohol ni ningún medicamento, como es el caso al conducir otros vehículos. Esto también se aplica a la conducción en espacios interiores.
- ⚠ Al circular por el exterior, adapte la conducción a las condiciones climáticas y de tráfico.
- ⚠ Para transportar la silla de ruedas, no la agarre por las partes móviles extraíbles (reposabrazos, reposapiés, etc.).
- ⚠ Para ser más visible al circular de noche, lleve ropa de colores vistosos o equipada con reflectores, y compruebe que los reflectores montados en los laterales y en la parte trasera de la silla de ruedas sean bien visibles.
- ⚠ No supere nunca la carga máxima (150 kg).

- ⚠ Utilice guantes si va a utilizar la silla en el exterior; de esta forma, mejorará el agarre de los aros de propulsión y mantendrá las manos protegidas contra el polvo y el calor.
- ⚠ Para evitar lesiones en las manos mientras maneja la silla de ruedas, no ponga las manos entre la rueda de tracción y el bloqueo de las ruedas.
- ⚠ Asegúrese de que **no** haya ningún objeto ni ninguna parte del cuerpo dentro del rango de ajuste mientras realiza operaciones de ajuste. Existe riesgo de atrapamiento.
- ⚠ Asegúrese de que las ruedas traseras extraíbles estén bien fijadas al eje.
- ⚠ Preste atención si hay llamas vivas cerca. La tapicería está fabricada con un material ignífugo; sin embargo, el relleno no.

2 Uso

Este capítulo describe el uso diario. **Estas instrucciones están destinadas al usuario y a los distribuidores especializados.**

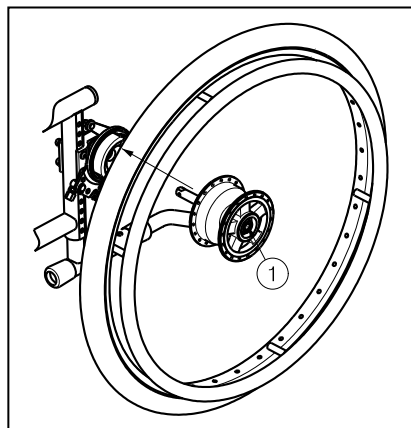
La silla de ruedas se entrega completamente montada por su distribuidor especializado. Las instrucciones dirigidas al distribuidor especializado con respecto al montaje de la silla de ruedas se encuentran en el capítulo 3.

2.1 Transporte de la silla de ruedas

La mejor forma de transportar la silla es empujarla y utilizar las ruedas.

Si no es posible (porque haya que levantar las ruedas traseras para cargarla en un coche, por ejemplo), cójala por el armazón delantero y por los empuñaduras. No la coja por la reposapiés, los reposabrazos o las ruedas.

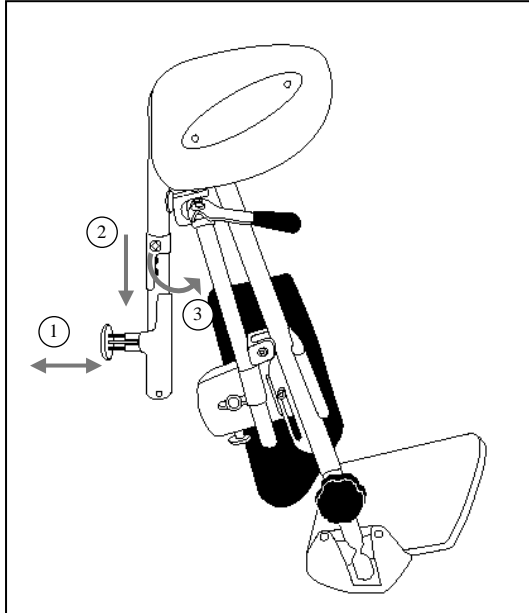
2.2 Montaje de las ruedas traseras



1. Sujete la rueda trasera y presione el botón ①.
2. Mantenga el botón presionado y monte el eje de las ruedas traseras hasta el tope.
3. Suelte el botón ①.
4. Compruebe que la rueda está segura.

2.3 Montaje y desmontaje de los reposapiés

- ⚠ PRECAUCIÓN:** Riesgo de lesiones. Asegúrese de que los reposapiés están bien fijadas antes de utilizar la silla de ruedas.



El montaje de los reposapiés se realiza del modo siguiente:

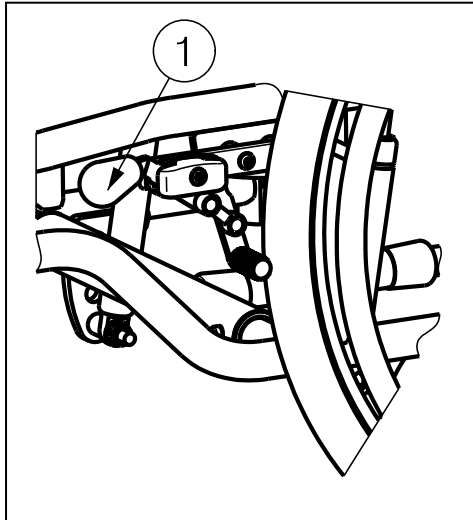
1. Tire del perno ① del soporte del reposapiés.
2. Desplace los reposapiés desde la parte superior hasta el soporte del reposapiés. Suelte el perno ① del soporte del reposapiés. Para girar los reposapiés hacia fuera, tire del perno ① y súbalos un poco (25 mm).
3. Gire los reposapiés hacia fuera.
4. Despliegue las bases de los estribos hacia abajo.

Para retirar los reposapiés:

1. Despliegue las bases de los estribos hacia arriba.
2. Tire del perno ① del soporte del reposapiés.
3. Suba los reposapiés y sáquelos del soporte.
4. Suelte el perno ① del soporte del reposapiés.

2.4 Accionamiento de los frenos

- ⚠ ADVERTENCIA:** Los frenos no se utilizan para reducir la velocidad de la silla de ruedas durante los movimientos. Utilice los frenos solo para evitar que la silla de ruedas realice movimientos no deseados.
- ⚠ ADVERTENCIA:** El buen funcionamiento de los frenos depende de su desgaste y de las sustancias presentes en ellas (agua, aceite, barro, etc.). Compruebe las condiciones de las ruedas antes de utilizarlas.
- ⚠ ADVERTENCIA:** Los frenos se pueden ajustar y pueden desgastarse. Compruebe el funcionamiento de los frenos antes de cada uso.



Para accionar los frenos:

1. Empuje las palancas del freno ① hacia delante hasta que oiga un clic.

⚠ PRECAUCIÓN: Riesgo de movimientos no deseados: asegúrese de que la silla de ruedas está en una superficie plana horizontal antes de soltar los frenos. Nunca suelte ambos frenos a la vez.

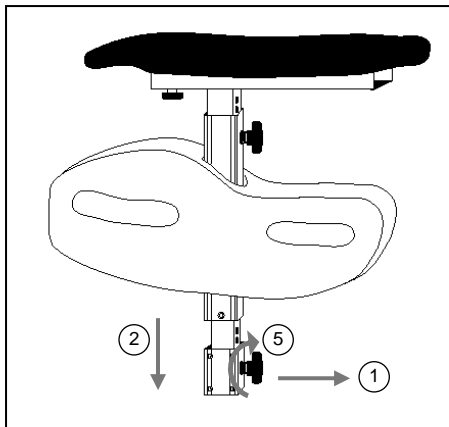
Para soltar los frenos:

1. Tire de la palanca ① hacia atrás para soltar un freno.
2. Sujete el aro de propulsión de la rueda que haya soltado.
3. Tire de la palanca del segundo freno ① hacia atrás.

2.5 Montaje y desmontaje de reposabrazos

⚠ PRECAUCIÓN: Riesgo de aplastamiento: mantenga los dedos, las hebillas y la ropa alejados de la parte inferior del reposabrazos.

⚠ PRECAUCIÓN: Riesgo de lesiones. Asegúrese de que las reposabrazos están bien fijadas antes de utilizar la silla de ruedas.



Para montar los reposabrazos de la silla de ruedas, siga las instrucciones que aparecen a continuación.

1. Tire del pomo de estrella ① .
2. Monte el reposabrazos desde arriba en el capuchón del tubo adecuado ②.
3. Suelte el pomo de estrella ①.
4. Asegúrese de que el reposabrazos está bien sujeto.
5. Gire a mano el pomo de estrella ① hacia la derecha.

Para retirar el reposabrazos:

1. Gire el pomo de estrella ① hacia la izquierda.
2. Tire del pomo de estrella ① .
3. Saque el reposabrazos del capuchón del tubo.

Para montar y desmontar los almohadillas del reposabrazos, puede seguir las instrucciones arriba indicadas para "montaje y desmontaje de reposabrazos".

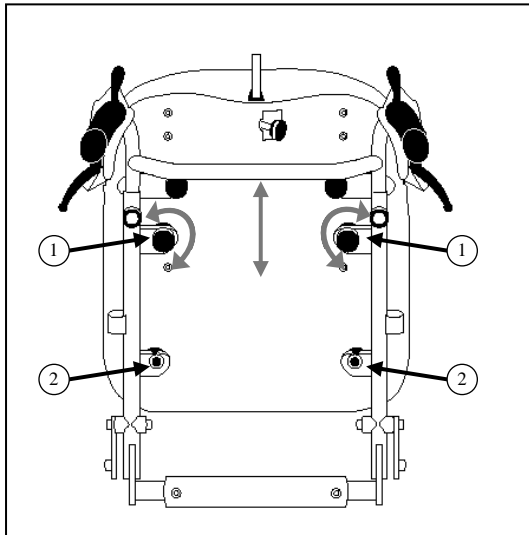
2.6 Montaje o desmontaje del cojín del asiento

Las cintas de Velcro permiten colocar o retirar el cojín del asiento de la placa del asiento.

2.7 Montaje o desmontaje del respaldo

⚠ PRECAUCIÓN: Riesgo de lesiones: compruebe que el respaldo está bien montado en los cuatro soportes antes de usar la silla de ruedas.

⚠ PRECAUCIÓN: Riesgo de atrapamiento y daños. Asegúrese de que los cables de las empuñaduras no quedan atrapados entre los tubos del armazón del respaldo.



Para montar el respaldo de la silla de ruedas, puede seguir las instrucciones que aparecen a continuación.

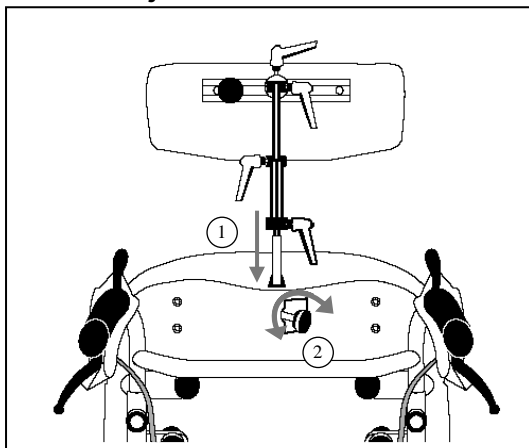
1. Monte el respaldo en los cuatro soportes ① + ②.
2. Active los botones de estrella superiores para bloquearlos a mano.
3. Compruebe que el respaldo esté firmemente fijado.

Para desmontar el respaldo de la silla de ruedas:

1. Afloje los botones de estrella superiores.
2. Tire del respaldo hacia arriba para sacarlo de los cuatro soportes ① + ②.

2.8 Montaje o desmontaje del reposacabezas

⚠ PRECAUCIÓN: Riesgo de lesiones. Asegúrese de que el reposacabezas está bien fijado antes de utilizar la silla de ruedas.



Para montar el reposacabezas de la silla de ruedas, puede seguir las instrucciones que aparecen a continuación.

1. Coloque el reposacabezas en el tubo ①.
2. Active el pomo de estrella ② para bloquearlo a mano.
3. Asegúrese de que el reposacabezas esté firmemente fijado.

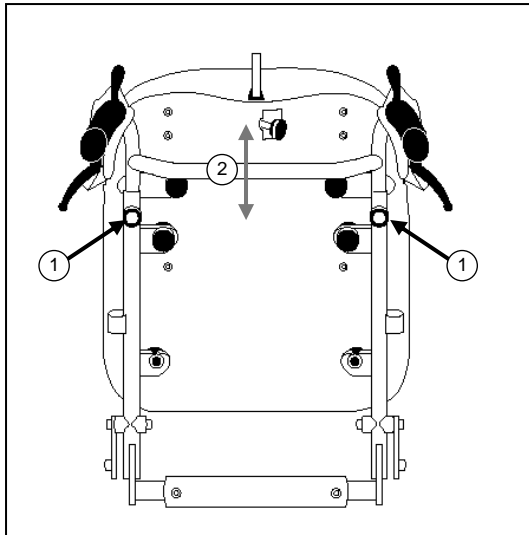
Para desmontar el reposacabezas de la silla de ruedas:

1. Afloje el pomo de estrella ②.
2. Tire del reposacabezas hacia arriba para sacarlo del tubo ①.

2.9 Ajuste de las empuñaduras

⚠ PRECAUCIÓN: Riesgo de lesiones. Asegúrese de que las empuñaduras están bien fijadas antes de utilizar la silla de ruedas.

⚠ PRECAUCIÓN: Riesgo de vuelco de la silla de ruedas. Tenga en cuenta la altura máxima de ajuste; de lo contrario, la estabilidad de la silla de ruedas puede verse perjudicada. No ajuste las empuñaduras más allá del tope de los tubos de las empuñaduras.



Es posible ajustar la altura de las empuñaduras en función de la altura del acompañante. Para ajustar las empuñaduras, puede seguir las instrucciones que aparecen a continuación.

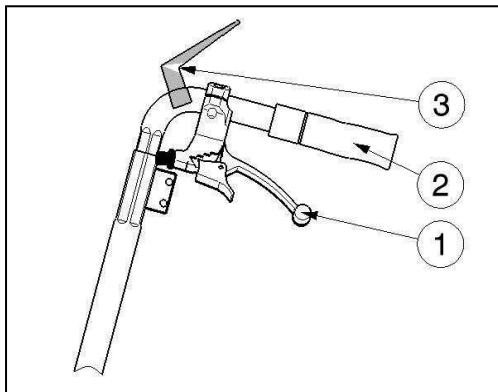
1. Afloje los pomos de estrella ① provistos a cada lado.
2. Ajuste las empuñaduras a la altura que el acompañante desee.
3. Vuelva a apretar los pomos de estrella ① provistos a cada lado.
4. Asegúrese de que las empuñaduras estén bien fijadas.

2.10 Ajuste del respaldo/inclinación del asiento

- ⚠ **ADVERTENCIA: Riesgo de vuelco:** tenga en cuenta que la estabilidad se reduce cuando el respaldo está ajustado hacia atrás.
- ⚠ **ADVERTENCIA: Riesgo de lesiones:** accione los frenos de estacionamiento antes de ajustar el respaldo y la inclinación del asiento.

Un acompañante puede ajustar únicamente el asiento y el respaldo a la vez o de forma independiente con respecto a sus ángulos. Asegúrese de que el paciente está sentado en la silla cuando el ayudante tenga que realizar el ajuste del respaldo y la inclinación del asiento, y que la silla de ruedas no se vuelque.

Inclinación del asiento:



1. Tire de la palanca ① del lado izquierdo (véase la etiqueta) hacia la empuñadura ② para ajustar la inclinación del asiento.

Etiqueta



2. Tire/presione el asiento hacia la posición que desee (de -5° a 15°); se deberá presionar el muelle a presión de gas más o menos.
3. Afloje la palanca ① para bloquear el muelle a presión de gas.

Ajuste del respaldo:

1. Tire de la palanca ① de la derecha (véase la etiqueta) hacia la empuñadura ② para ajustar el ángulo del respaldo.

Etiqueta



2. Tire/presione el respaldo hacia la posición que desee (de -5° a 50°); se deberá presionar el muelle a presión de gas más o menos.
3. Afloje la palanca ① para bloquear el muelle a presión de gas.

Si su silla de ruedas incluye frenos de tambor, las palancas ① se utilizan como frenos; se han montado las palancas adicionales ③ para ajustar el ángulo de inclinación del respaldo y del asiento. Estas palancas ③ se pueden accionar con el dedo pulgar.

2.11 Traslado a la silla de ruedas y desde esta

⚠ PRECAUCIÓN: En caso de que no pueda realizar el traslado de forma segura, pida a alguien que le ayude.

⚠ PRECAUCIÓN: Riesgo de vuelco de la silla de ruedas; no se ponga de pie en los reposapiés.

1. Coloque la silla de ruedas lo más cerca posible de la silla, el sillón o la cama desde la que desea trasladarse o a la que desee ir.
2. Compruebe que los dos frenos de la silla de ruedas estén accionados.
3. Pliegue los reposapiés hacia arriba para evitar ponerse de pie en ellos.
4. Si el traslado se realiza por el lateral de la silla de ruedas, puede retirar el reposabrazos y/o el reposapiés de ese lado.
5. Traslado a/desde la silla de ruedas.

2.12 Posición correcta en la silla de ruedas

Algunas recomendaciones para un uso confortable de la silla de ruedas:

- Coloque la espalda lo más cerca posible del respaldo.
- Asegúrese de que la parte superior de las piernas se encuentre en posición horizontal. En caso necesario, ajuste la longitud de los reposapiés. (Véase el apartado 3.8.2).

2.13 Conducción de la silla de ruedas

⚠ ADVERTENCIA: Riesgo de aplastamiento: evite que los dedos queden atrapados entre los radios de las ruedas.

⚠ ADVERTENCIA: Riesgo de que los dedos queden atrapados: tenga cuidado al pasar por lugares estrechos (p. ej. puertas).

⚠ ADVERTENCIA: Riesgo de quemaduras; tenga cuidado cuando circule por entornos calientes o fríos (luz solar, frío extremo, saunas, etc.) durante un período de tiempo prolongado, ya que podría quemarse al tocar los materiales de la silla de ruedas.

1. Suelte los frenos.
2. Sujete los dos aros de propulsión por la parte superior.
3. Inclínese hacia delante y empuje los aros de propulsión hacia delante hasta que los brazos queden estirados.
4. Doble los brazos hacia atrás, hacia la parte superior de los aros de propulsión y repita el movimiento.

2.14 Conducción de la silla de ruedas con un acompañante

⚠ ADVERTENCIA: Riesgo de que los dedos queden atrapados: tenga cuidado al pasar por lugares estrechos (p. ej. puertas).

⚠ ADVERTENCIA: Riesgo de quemaduras; tenga cuidado cuando circule por entornos calientes o fríos (luz solar, frío extremo, saunas, etc.) durante un período de tiempo prolongado, ya que podría quemarse al tocar los materiales de la silla de ruedas.

Un acompañante puede empujar la silla de ruedas por los empuñaduras o por la barra de empuje.

2.15 Desplazamiento por pendientes

- ⚠ **ADVERTENCIA:** Controle su velocidad : desplácese por las pendientes con la mayor lentitud posible.
 - ⚠ **ADVERTENCIA:** Tenga en cuenta las capacidades de su acompañante. Si este no tiene fuerza suficiente para controlar la silla de ruedas, accione los frenos.
 - ⚠ **ADVERTENCIA:** Riesgo de vuelco: inclínese hacia delante para desplazar el centro de gravedad hacia delante para tener una mejor estabilidad.
1. Si hay un cinturón de seguridad disponible en la silla de ruedas, abrócheselo.
 2. No intente desplazarse por pendientes demasiado inclinadas. Los ángulos de pendiente máximos (ascendentes y descendentes) se indican en la tabla 1.
 3. Pida a un acompañante que le ayude a desplazarse por la pendiente.
 4. Inclínese hacia delante para desplazar su centro de gravedad hacia delante.

2.16 Franqueo de peldaños y bordillos

- ⚠ **ADVERTENCIA:** Riesgo de lesiones: para transportar a un paciente por unas escaleras, se necesita la ayuda de dos acompañantes.
- ⚠ **ADVERTENCIA:** Riesgo de lesiones: lleve sistemas de cinturones de seguridad adecuados durante el transporte (puede obtener información de su distribuidor especializado).
- ⚠ **ADVERTENCIA:** Riesgo de lesiones: siéntese tranquilamente en la silla de ruedas para evitar movimientos bruscos. Si no puede sentarse tranquilamente durante el transporte debido a una enfermedad o discapacidad (por ejemplo, ligeros espasmos, etc.), se necesitarán al menos dos personas para sujetar la silla de ruedas por ambos lados, agarrándola por las partes fijas del armazón.
- ⚠ **ADVERTENCIA:** Riesgo de lesiones: asegúrese de que sus brazos y piernas no sobresalen por fuera de la silla de ruedas durante el transporte.
- ⚠ **ADVERTENCIA:** Riesgo de lesiones o daños: durante el transporte, asegúrese de que no haya personas u objetos debajo de la silla de ruedas.
- ⚠ **ADVERTENCIA:** Riesgo de lesiones: cuando se han extraído los reposapiés, las piernas del paciente carecen de sujeción.

2.16.1 Bajar peldaños o bordillos

Se pueden bajar peldaños o bordillos desplazándose hacia delante con un acompañante:

1. Asegúrese de que los empuñaduras de empuje estén suficientemente apretados.
2. Retire los reposapiés.
3. Pida al acompañante que incline la silla de ruedas ligeramente hacia atrás con el mando de inclinación.
4. Pase el bordillo desplazándose con las ruedas traseras y empuje la silla de ruedas hacia delante.
5. La segunda persona debe asegurar la silla de ruedas por delante sujetando la parte delantera del armazón tras sacar los reposapiés. Deberá caminar hacia atrás.
6. Una vez franqueados los bordillos, vuelva a colocar la silla de ruedas sobre sus cuatro ruedas.

2.16.2 Bajar peldaños o bordillos

Se pueden subir peldaños o bordillos desplazándose hacia detrás con un acompañante:

1. Asegúrese de que los empuñaduras de empuje estén suficientemente apretados.
2. Retire los reposapiés.
3. Gire la silla de ruedas de forma que las ruedas traseras queden orientadas al bordillo.
4. Inclínese hacia atrás y desplace su centro de gravedad sobre las ruedas traseras.
5. Pida al acompañante que tire de la silla sobre el bordillo.
6. La segunda persona debe asegurar la silla de ruedas por delante sujetando la parte delantera del armazón tras sacar los reposapiés. Deberá caminar hacia delante.
7. Vuelva a la posición normal en la silla de ruedas.

ES

2.16.3 Desplazamientos por escaleras

- ⚠ **ADVERTENCIA: Riesgo de vuelco: el desplazamiento por escaleras deberá realizarse siempre con 2 acompañantes.**
- ⚠ **ADVERTENCIA: Riesgo de lesiones: está prohibido levantar la silla de ruedas mientras el paciente está sentado en ella. Mantenga las ruedas traseras en contacto con el suelo o las escaleras en todo momento.**
- ⚠ **ADVERTENCIA: Riesgo de lesiones: lleve sistemas de cinturones de seguridad adecuados durante el transporte (puede obtener información de su distribuidor especializado).**
- ⚠ **ADVERTENCIA: Riesgo de lesiones o daños: durante el transporte, asegúrese de que no haya personas u objetos debajo de la silla de ruedas.**
- ⚠ **ADVERTENCIA: Riesgo de lesiones: cuando se han extraído los reposapiés, las piernas del paciente carecen de sujeción.**

Para desplazar la silla de ruedas por las escaleras, siga las instrucciones que se indican a continuación:

1. Retire los reposapiés.
2. Un acompañante debe inclinar la silla de ruedas ligeramente hacia atrás.
3. El segundo acompañante sujeta la parte frontal del chasis.
4. Mantenga la calma, evite los movimientos bruscos y mantenga los brazos dentro de la silla de ruedas.
5. Para desplazarse por las escaleras utilice las ruedas traseras de la silla.
6. Vuelva a montar los reposapiés después de desplazarse las escaleras.

2.16.4 Uso de rampas

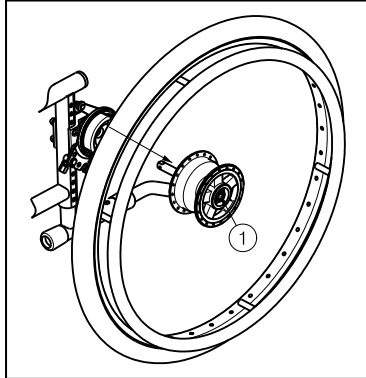
- ⚠ **ADVERTENCIA: Riesgo de lesiones; no supere la carga máxima de las rampas.**
- ⚠ **ADVERTENCIA: Riesgo de lesiones: elija las rampas adecuadas para evitar que se produzcan lesiones o daños. No aceptamos responsabilidad alguna por los daños o lesiones causados por una selección incorrecta de rampas.**
- ⚠ **ADVERTENCIA: Riesgo de lesiones; asegúrese de que la altura de la rueda sea suficiente para pasar por la rampa. El armazón de la silla de ruedas no debe tocar las rampas.**
- ⚠ **ADVERTENCIA: Riesgo de lesiones; utilice un cinturón de seguridad para sujetarse en la silla de ruedas.**
- ⚠ **ADVERTENCIA: Riesgo de vuelco; ajuste las funciones del asiento, respaldo y reposapiés de forma que la silla de ruedas tenga la máxima estabilidad.**

Si tiene intención de instalar rampas para superar obstáculos, tenga en cuenta lo siguiente: Puesto que la silla de ruedas tiene un peso considerable, le aconsejamos encarecidamente que no utilice su propia fuerza para impulsarse por una rampa, ya que es posible que no pueda impedir que la silla ruede hacia atrás.

No suba ni baje nunca por rampas sin la ayuda de otra persona.

2.17 Extracción de las ruedas

Para facilitar el transporte de la silla de ruedas, es posible extraer las ruedas traseras:



1. Asegúrese de que los frenos no están accionados.
2. Coloque la silla de ruedas del lado del armazón de la rueda que desea extraer.
3. Pulse el botón ① situado en la parte central del cubo de la rueda.
4. Tire de la rueda para extraerla del chasis.

2.18 Transporte en coche

- ⚠ **PELIGRO:** Riesgo de lesiones; la silla de ruedas no se ha diseñado para su uso como asiento en un automóvil.
- ⚠ **ADVERTENCIA:** Riesgo de lesiones: compruebe que la silla de ruedas está fijada correctamente para evitar cualquier daño a los pasajeros en caso de colisión o frenado brusco.
- ⚠ **ADVERTENCIA:** Riesgo de lesiones: no utilice NUNCA el mismo cinturón de seguridad para fijar la silla de ruedas y el pasajero.

No utilice la silla de ruedas como asiento en un coche u otro vehículo. Debe estar marcada con el símbolo siguiente.



Para transportar la silla de ruedas en el coche, siga estos pasos:

1. Coloque el asiento en posición horizontal y el respaldo en posición vertical.
2. Retire los reposapiés, los reposabrazos y demás accesorios (por ejemplo, el reposacabezas).
3. Guarde de forma segura los reposapiés, los reposabrazos y demás accesorios.
4. Si es posible, pliegue la silla de ruedas y retire las ruedas.
5. Coloque la silla de ruedas en el compartimento de equipajes entre dos personas.
6. Si la silla de ruedas y el compartimento de los pasajeros NO están separados, sujete el armazón de la silla de ruedas firmemente al vehículo. Puede utilizar los cinturones de seguridad disponibles en el vehículo.
7. Coloque al paciente en los asientos existentes recomendados con sus sistemas de cinturón de seguridad.

3 Instalación y ajuste

Este capítulo contiene instrucciones destinadas a los distribuidores especializados.

La silla de ruedas multifuncional EZ1 de Vermeiren ha sido diseñada pensando exclusivamente en su comodidad. Esta silla de ruedas se puede ajustar según los requisitos personales, según se explica a continuación.

Para encontrar un centro de servicio o un distribuidor especializado cerca de usted, póngase en contacto con el centro Vermeiren más próximo. Puede encontrar una lista con los centros Vermeiren en la última página.

⚠ ADVERTENCIA: Riesgo por ajustes peligrosos; utilice únicamente los ajustes indicados en este manual.

⚠ ADVERTENCIA: Realizar ajustes en la silla puede variar su estabilidad (inclinaciones hacia atrás o hacia los lados).

3.1 Herramientas

Para montar la silla de ruedas, necesita las siguientes herramientas.

- Juego de llaves inglesas del 10 al 19
- Juego de llaves Allen del 4 al 5

3.2 Forma de suministro

La silla Vermeiren EZ1 se entrega con:

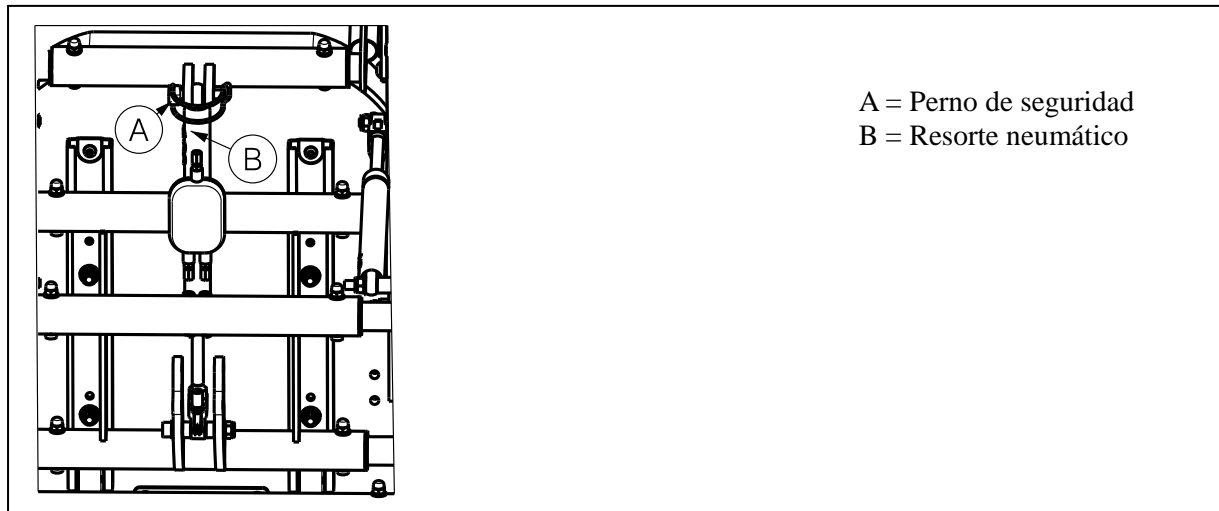
- 1 armazón con reposabrazos, ruedas delanteras y traseras
- 1 par de reposapiés
- Asiento anatómico (fijo)
- Respaldo anatómico (fijo)
- Herramientas
- Manual
- Accesorios

Una vez recibido el producto, revise si falta algún componente o si hay algún defecto.

Las reclamaciones de garantía son válidas solo si se comunican por escrito al fabricante en un plazo de dos semanas. Las reclamaciones de garantía por defectos ocultos son válidas solo si se comunican al fabricante en un plazo de dos semanas tras haberlos detectado.

3.3 Montaje del armazón

- ⚠ **ADVERTENCIA:** Riesgo de atrapamiento. Asegúrese de que no quede ningún cable atrapado.
- ⚠ **ADVERTENCIA:** Riesgo de lesiones. Asegúrese de que el perno de seguridad ① esté bien cerrado.

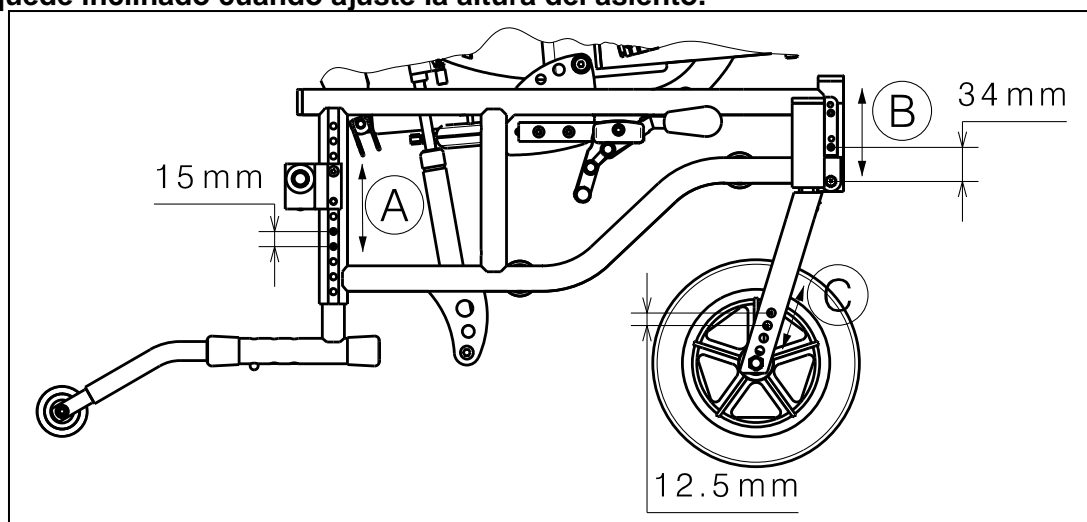


Montaje del armazón después de extraer la silla de ruedas del embalaje original:

1. Coloque el respaldo en ángulo recto.
2. Coloque el perno de seguridad ① en los orificios que corresponda. Uno para fijar el resorte neumático ②, que se encuentra debajo de la parte posterior del armazón del asiento.

3.4 Ajuste de la altura del asiento

- ⚠ **ADVERTENCIA:** Riesgo de lesiones. Asegúrese de que todos los tornillos estén bien apretados. Asegúrese de que los tornillos no estén dañados.
- ⚠ **ADVERTENCIA:** Riesgo de lesiones. Las tuercas autoblocantes solo se pueden utilizar una vez.
- ⚠ **ADVERTENCIA:** Riesgo de lesiones: tenga cuidado de no engancharse los dedos durante el proceso de montaje.
- ⚠ **ADVERTENCIA:** Riesgo de vuelco. Asegúrese de que el armazón del asiento no quede inclinado cuando ajuste la altura del asiento.



A Ruedas de tracción del bloque del eje

1. Afloje los dos tornillos que fijan el bloque del eje de las ruedas traseras al armazón.
2. Ajuste el bloque del eje a la altura que desee (intervalos de 15 mm).
3. Vuelva a apretar los dos pernos.
4. Ajuste de los frenos.

B Adaptador de las ruedas de dirección

1. Afloje los dos tornillos del adaptador de las ruedas de dirección.
2. Coloque el adaptador de las ruedas de dirección en la posición que desee (2 posiciones: intervalos de 34 mm).
3. Apriete los tornillos correctamente.

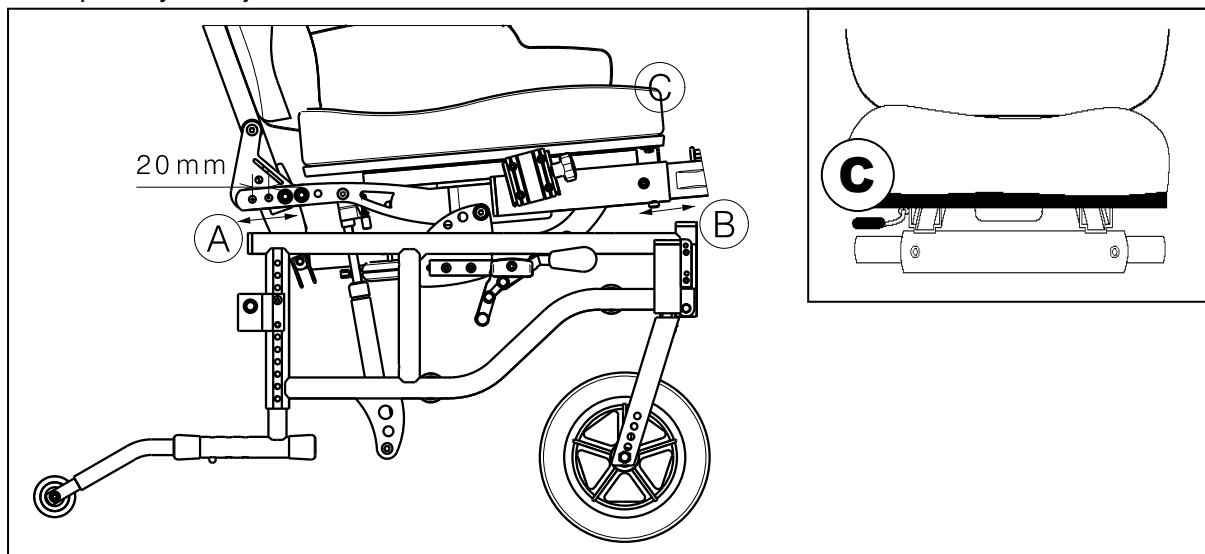
C Horquilla de las ruedas delanteras

1. Afloje los tornillos que unen el eje de las ruedas delanteras a la horquilla delantera.
2. Coloque las ruedas de dirección en la posición de la horquilla de dirección que desee (intervalos de 12,5 mm).
3. Apriete los tornillos correctamente.

3.5 Ajuste de la profundidad del asiento

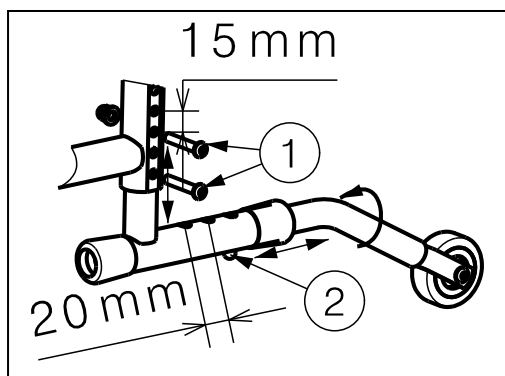
- ⚠ **ADVERTENCIA: Riesgo de lesiones. Asegúrese de que todos los tornillos estén bien apretados. Asegúrese de que los tornillos no estén dañados.**
- ⚠ **ADVERTENCIA: Riesgo de lesiones. Las tuercas autoblocantes solo se pueden utilizar una vez.**
- ⚠ **ADVERTENCIA: Riesgo de lesiones: tenga cuidado de no engancharse los dedos durante el proceso de montaje.**

Cuando se ajuste la profundidad del asiento con los topes del armazón del respaldo y se utilice el resorte neumático para ajustar el respaldo, es posible que se cree un hueco entre el respaldo y el cojín del asiento.



- A**
1. Afloje los tornillos de ambos lados, en los puntos en los que el armazón del respaldo entra en contacto con el armazón del asiento.
 2. Tire del armazón del respaldo hasta alcanzar la posición que desee (4 posiciones: intervalos de 20 mm).
 3. Vuelva a apretar los tornillos de ambos lados.
 4. Ajuste de los frenos.
- B**
1. Afloje el tornillo que fija el reposapiés al armazón del asiento.
 2. Desplace el tubo de los reposapiés hasta la posición que desee (sin intervalos de ajuste).
 3. Vuelva a apretar los tornillos correctamente.
- C**
1. Tire de la palanca para mover el armazón del asiento hacia arriba. Esta palanca se encuentra justo debajo de la parte delantera del asiento.
 2. Desplace el asiento hasta la posición que desee (sin intervalos de ajuste).
 3. Suelte la palanca. El asiento quedará bloqueado en su posición.

3.6 Ajuste de las protección antivuelco



Asegúrese de que las protección antivuelco se hayan ajustado bien para evitar que la silla de ruedas vuelque.

3.6.1 Ajuste de la altura

1. Afloje los tornillos ①.
2. Mueva las protección antivuelco a la posición deseada.
3. Vuelva a apretar los tornillos ① correctamente.

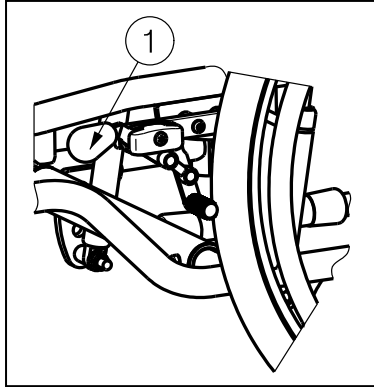
3.6.2 Ajuste de la profundidad

1. Presione el botón con resorte ②.
2. Desplace las protección antivuelco hasta la posición que desee (3 posibles posiciones).
3. Suelte el botón con resorte ①.
4. Asegúrese de que el botón con resorte ① esté bien fijado en el orificio.

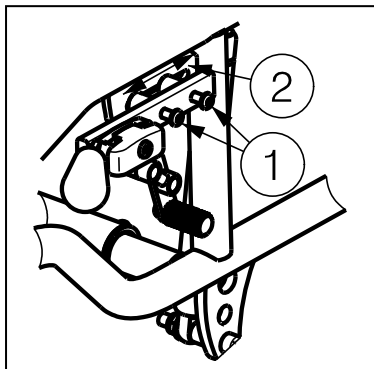
3.7 Ajuste de los frenos

⚠ ADVERTENCIA: Riesgo de lesiones: sólo su distribuidor especializado puede ajustar los frenos.

Ajuste los frenos según las instrucciones siguientes:



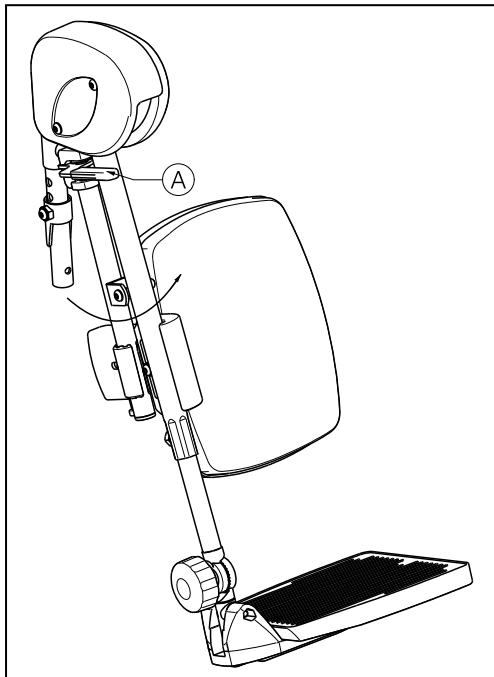
1. Monte las ruedas según se indica en el apartado 2.2.
2. Para desconectar los frenos, tire de la palanca ① hacia atrás.



3. Afloje los pernos ① para que el mecanismo del freno pueda deslizarse por la guía ②.
4. Deslice el mecanismo del freno por la guía ② hasta la posición que desee.
5. Vuelva a apretar los pernos ①.
6. Verifique el funcionamiento de los frenos.
7. Si fuera necesario, repita los pasos anteriores hasta que los frenos estén bien ajustados.

3.8 Ajuste de los reposapiés

3.8.1 Ángulo de los reposapiés



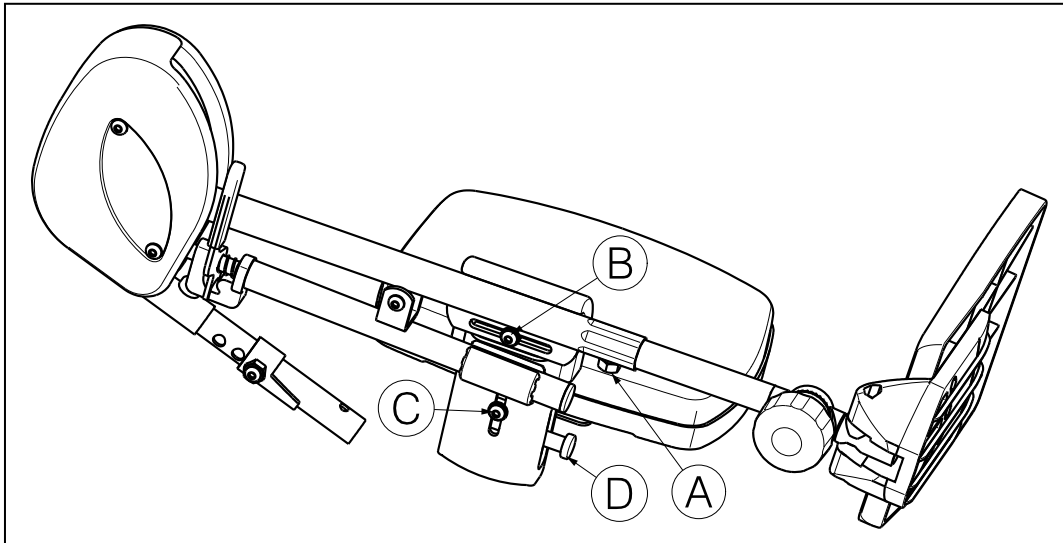
Para subir el reposapiés:

1. Suba el reposapiés.
2. Suelte el reposapiés; se bloqueará automáticamente en el ángulo que desee (113° como máximo).

Para bajar el reposapiés:

3. Tire de la palanca A hacia arriba.
4. Coloque el reposapiés en la posición que desee.
5. Suelte la palanca A.

3.8.2 Longitud de los reposapiés



⚠ PRECAUCIÓN: Riesgo de lesiones. Asegúrese de que todos los ajustes de ambos reposapiés sean idénticos.

⚠ PRECAUCIÓN: Riesgo de desperfectos: evite que los reposapiés entren en contacto con el suelo. Mantenga una distancia mínima de 60 mm por encima del suelo.

Regule la longitud del reposapiés como se indica a continuación:

1. Afloje el tornillo **(A)**.
2. Ajuste la profundidad del reposapiés a una posición que le resulte cómoda (intervalo de 140 mm: sin intervalos de ajuste).
3. Apriete el tornillo **(A)** correctamente.

3.8.3 Altura de los apoyos para las pantorrillas

Ajuste la altura de los apoyos para las pantorrillas como se indica a continuación:

1. Afloje el tornillo **(B)**.
2. Ajuste la altura de los apoyos para las pantorrillas a una posición que le resulte cómoda (intervalo de 50 mm: sin intervalos de ajuste).
3. Apriete el tornillo **(B)** correctamente.

3.8.4 Profundidad de los apoyos para las pantorrillas

Ajuste la profundidad de los apoyos para las pantorrillas como se indica a continuación:

1. Afloje el tornillo **(C)**.
2. Ajuste la profundidad de los apoyos para las pantorrillas a una posición que le resulte cómoda (intervalo de 40 mm: sin intervalos de ajuste).
3. Apriete el tornillo **(C)** correctamente.

3.8.5 Anchura de los apoyos para las pantorrillas

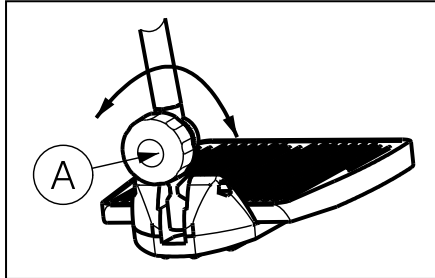
Ajuste la anchura de los apoyos para las pantorrillas como se indica a continuación:

1. Afloje los 2 tornillos ubicados en la parte trasera del cojín de los reposapiés.
2. Ajuste la anchura de los reposapiés a una posición que le resulte cómoda.
3. Apriete los tornillos correctamente.

3.8.6 Plegado de los apoyos para las pantorrillas

1. Presione el botón ①.
2. Pliegue los apoyos para las pantorrillas.
3. Suelte el botón ①.

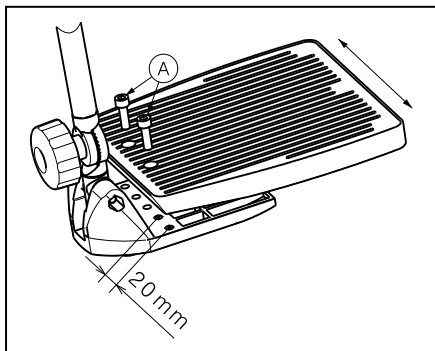
3.8.7 Ángulo del reposapiés



Ajuste el ángulo del reposapiés como se indica a continuación:

1. Suelte el pomo de estrella negro ①.
2. Gire el reposapiés hasta colocarlo en el ángulo que desee.
3. Apriete el pomo de estrella ① correctamente.

3.8.8 Profundidad del reposapiés



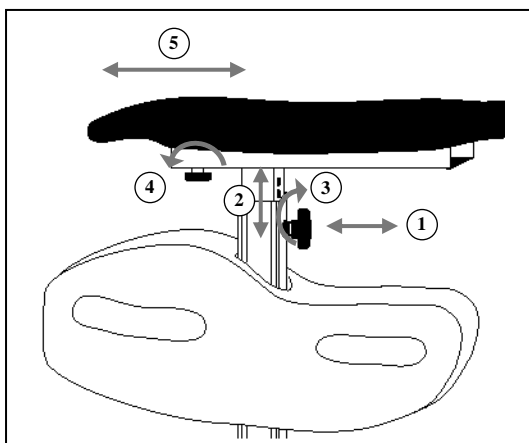
Ajuste la profundidad del reposapiés como se indica a continuación:

1. Quite los dos tornillos ① del reposapiés.
2. Ajuste la profundidad del reposapiés a una posición que le resulte cómoda (tres posibles posiciones).
3. Apriete los tornillos ① correctamente.

3.9 Ajuste de los almohadillas del reposabrazos

⚠ PRECAUCIÓN: Riesgo de lesiones. Asegúrese de que todos los ajustes de ambos almohadillas del reposabrazos sean idénticos.

3.9.1 Altura del almohadillas del reposabrazos



Para ajustar la altura del almohadillas del reposabrazos:

1. Tire del tornillo de seguridad ①.
2. Tire o empuje el almohadillas del reposabrazos para colocarlo en la posición que desee ②.
3. Suelte el tornillo de seguridad ①.
4. Gire el pomo de estrella hacia la derecha ③.
5. Asegúrese de que el almohadillas del reposabrazos esté bien fijado.

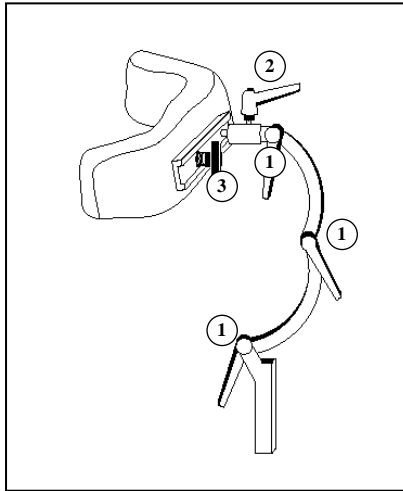
3.9.2 Profundidad del almohadillas del reposabrazos

Para ajustar la profundidad del almohadillas del reposabrazos:

1. Afloje el tornillo de seguridad ④ situado justo debajo de la almohadilla del reposabrazos.
2. Deslice el almohadillas del reposabrazos para colocarlo en la posición que desee ⑤.
3. Vuelva a apretar el tornillo de seguridad ④ a mano.

3.10 Ajuste del reposacabezas

- ⚠ **ADVERTENCIA:** Riesgo de lesiones. Asegúrese de que todos los tornillos estén bien apretados.
- ⚠ **ADVERTENCIA:** Riesgo de lesiones relacionadas con la ergonomía. Asegúrese de que el reposacabezas se haya ajustado a una posición cómoda para el paciente, y de que no ejerza presión ni tensión.



3.10.1 Altura y profundidad del reposacabezas

Para ajustar la altura y la profundidad del reposacabezas:

1. Afloje las palancas ①.
2. Ajuste el reposacabezas a la posición que desee.
3. Vuelva a apretar las palancas ① a mano.

3.10.2 Giro de la tapicería

La tapicería del reposacabezas se puede girar 360°:

1. Afloje la palanca ②.
2. Gire la tapicería hasta la posición que desee.
3. Vuelva a apretar la palanca ② a mano.

3.10.3 Profundidad del cojín del reposacabezas

El cojín del reposacabezas se puede mover hacia los lados:

1. Afloje el pomo de estrella ③.
2. Mueva el cojín del reposacabezas a la posición que desee.
3. Vuelva a apretar el pomo de estrella ③ a mano.

4 Mantenimiento

Para consultar el manual de mantenimiento de las sillas de ruedas, visite el sitio web de Vermeiren.

ITALIANO

GARANZIA CONTRATTUALE

La carrozzina manuale sono garantite 5 anni, la carrozzina leggera 4 anni. Le carrozzine elettroniche, tricicli, letti e altri prodotti: 2 anno contro tutti i difetti di costruzione o di materiale (batterie 6 mesi). Multiposizioni 3 anni. Questa garanzia e' limitata alle sostituzioni di parti riconosciute difettose.

CONDIZIONI

Per far valere la garanzia, e' necessario indirizzarla al vostro distributore di fiducia che presentera' al produttore il tagliando.

RISERVE

Questa garanzia non potra' essere applicata nei seguenti casi:

- danno dovuto al cattivo ed improprio utilizzo della carrozzina,
- danno subito durante il trasporto,
- incidente o caduta,
- smontaggio, modifica, o riparazione effettuate in proprio,
- usura abituale della carrozzina,
- invio del tagliando di garanzia con la data di acquisto.



B

Naam/Nom/Name

Name/Nome

Adres/Adresse/Address

Adresse/Indirizzo

Woonplaats/Domicile/Home

Wohnort/Citta

E-mail

Artikel/Article/Article

Articolo/Articolo

Reeks nr./N° de série/Serie nr.

Serien-Nr./No. di serie

Aankoopdatum/Date d'achat/Date of purchase

Kaufdatum/Data di acquisto

Stempel verkoper/Timbre du vendeur

Dealer stamp/Händlerstempel

Timbro del rivenditore

VERMEIREN



**WAARBORG
GARANTIE
WARRANTY
GARANTIE
GARANZIA**

N.V. VERMEIREN N.V.
VERMEIRENPLEIN 1-15
B-2920 Kalmthout

Tel.: 00 32 (0)3 620 20 20
Fax: 00 32 (0)3 666 48 94
www.vermeiren.com

A

Naam/Nom/Name

Name/Nome

Adres/Adresse/Address

Adresse/Indirizzo

Woonplaats/Domicile/Home

Wohnort/Citta

E-mail

Artikel/Article/Article

Articolo/Articolo

Reeks nr./N° de série/Serie nr.

Serien-Nr./No. di serie

Aankoopdatum/Date d'achat/Date of purchase

Kaufdatum/Data di acquisto

Stempel verkoper/Timbre du vendeur

Dealer stamp/Händlerstempel

Timbro del rivenditore

NEDERLANDS

CONTRACTUELE GARANTIE

Op de manuele rolstoelen geven wij 5 jaar: lichtgewicht rolstoelen 4 jaar. Op de elektronische rolstoelen, driewielers, bedden en andere producten : 2 jaar waarbij op constructie - of materiaalouder (batterijen 6 maanden). Op multipositie rolstoelen geven we 3 jaar waarbij. Deze garantie is uitsluitend beperkt tot de vervanging van defecte stukken of onderdelen.

TOEPASSINGSVOORWAARDEN

Om aanspraak te kunnen maken op de waarborg, bezorgt u het garantiecertificaat dat u heeft, bewaard, aan uw Vermeiren dealer. De waarborg is enkel geldig in de zetel van de onderneming.

UITZONDERINGEN

Deze garantie is niet van toepassing in geval van:

- schade te wijten aan het verkeerd gebruik van de rolstoel,
- beschadiging tijdens het transport,
- een val of een ongeval
- een demontage, wijziging of herstelling uitgevoerd buiten onze firma,
- normale slijtage van de rolstoel,
- niet inzenden van de garantiestrook.

FRANCAIS

GARANTIE CONTRACTUELLE

Les fauteuils manuels standard sont garantis 5 ans, les fauteuils ultra légers 4 ans. Les fauteuils électroniques, tricycles, lits et d'autres produits: 2 ans contre tous vices de construction ou de matériaux (batteries 6 mois). Fauteuils multiposition 3 ans. Cette garantie est expressément limitée au remplacement des éléments ou pièces détachées reconnues défectueuses.

CONDITIONS D'APPLICATION

Pour prétendre à cette garantie, il faut présenter le certificat de garantie que vous avez conservé à votre distributeur Vermeiren. La garantie est uniquement valable au siège de la société.

RESERVES

Cette garantie ne pourra être appliquée en cas de:

- dommage dû à la mauvaise utilisation du fauteuil,
- endommagement pendant le transport,
- accident ou chute,
- démontage, modification ou réparation fait en dehors de notre société,
- usure normale du fauteuil,
- non retour du coupon de garantie.

ENGLISH

CONTRACTUAL WARRANTY

We offer 5 years of warranty on standard wheelchairs, lightweight wheelchairs 4 years. Electronic wheelchairs, tricycles, beds and other products: 2 years (batteries 6 months) and multiposition wheelchairs 3 years. This warranty is limited to the replacement of defective or spare parts.

APPLICATION CONDITIONS

In order to claim this warranty, part "B" of this card has to be given to your official Vermeiren dealer. The warranty is only valid when parts are replaced by Vermeiren in Belgium.

EXCEPTIONS

This warranty is not valid in case of:

- damage due to incorrect usage of the wheelchair,
- damage during transport,
- involvement in an accident,
- a dismount, modification or repair carried outside of our company and/or official Vermeiren dealership,
- normal wear of the wheelchair,
- non-return of the warranty card

DEUTSCH

GARANTIEERKLÄRUNG

Wir garantieren, dass für unsere Rollstühle hochwertige Produkte verwendet werden, die in sorgfältiger Verarbeitung nach dem neuesten Stand der Technik montiert werden. Bevor Ihr Rollstuhl unser Werk verlassen hat, wurde er einer eingehenden Endkontrolle unterzogen, um auch letzte, eventuell vorhandene Mängel aufzuspüren.

Auf Standardrollstühle gewähren wir eine Garantie von 5 Jahren, auf Leichtgewichtrollstühle 4 Jahre, auf elektronische Rollstühle, Dreiräder, Betten und andere Produkte: 2 Jahre (Batterien 6 Monate), auf Multifunktionsrollstühle 3 Jahre.

In dieser Garantie eingeschlossen sind alle Mängel, die auf einen Produkt- oder Verarbeitungsfehler zurückzuführen sind. Dieser Garantie unterliegen keine Schäden aus unsachgemäßer Benutzung. Ebenfalls sind Verschleißteile von der Garantie ausgenommen.

Sollte einmal der Fall eingetreten sein, dass Sie aus berechtigtem Grunde mit Ihrem Rollstuhl unzufrieden sind, so wenden Sie sich bitte unverzüglich an Ihren Fachhändler. Er wird sich in enger Zusammenarbeit mit uns darum bemühen, eine für Sie zufriedenstellende Lösung zu finden.

A

- terugsturen binnen de 8 dagen na aankoop of registreer uw product via onze website, <https://www.vermeiren.be/registration>
- à renvoyer dans les 8 jours après achat ou registrar votre produit sur notre site, <https://www.vermeiren.be/registration>
- please return within 8 days of date of purchase or register your product at our website, <https://www.vermeiren.be/registration>
- zurückschicken innerhalb von 8 Tagen nach Kauf oder registrieren Sie Ihr Produkt auf unserer website, <https://www.vermeiren.be/registration>
- da restituire entro 8 giorni dalla data di acquisto o registrar il vostro prodotto al nostro web site, <https://www.vermeiren.be/registration>

B

- in geval van herstelling, kaart "B" bijvoegen.
- en cas de réparation, veuillez ajouter la carte "B".
- in case of repair, please add part "B".
- im Falle einer Reparatur, Karte "B" beifügen
- in case di riparazione, ripresentaci la carta "B".

N.V. VERMEIREN N.V.
Vermeirenplein 1/15
B-2920 Kalmthout
BELGIUM



SERVICE

The wheelchair was serviced:

Le fauteuil roulant contrôlé:

De rolstoel is gecontroleerd:

Das Rollstuhl wurde überprüft:

Il sedia a rotelle è stat ispezionata:

La silla de ruedas ha sido revisada por:

Dealer's stamp • Cachet du revendeur • Stempel van de handelaar
Händlerstempel • Timbro del rivenditore • Sello del distribuidor:

Date • Datum • Data • Fecha:

Dealer's stamp • Cachet du revendeur • Stempel van de handelaar
Händlerstempel • Timbro del rivenditore • Sello del distribuidor:

Date • Datum • Data • Fecha:

Dealer's stamp • Cachet du revendeur • Stempel van de handelaar
Händlerstempel • Timbro del rivenditore • Sello del distribuidor:

Date • Datum • Data • Fecha:

Dealer's stamp • Cachet du revendeur • Stempel van de handelaar
Händlerstempel • Timbro del rivenditore • Sello del distribuidor:

Date • Datum • Data • Fecha:

Dealer's stamp • Cachet du revendeur • Stempel van de handelaar
Händlerstempel • Timbro del rivenditore • Sello del distribuidor:

Date • Datum • Data • Fecha:

Dealer's stamp • Cachet du revendeur • Stempel van de handelaar
Händlerstempel • Timbro del rivenditore • Sello del distribuidor:

Date • Datum • Data • Fecha:

Dealer's stamp • Cachet du revendeur • Stempel van de handelaar
Händlerstempel • Timbro del rivenditore • Sello del distribuidor:

Date • Datum • Data • Fecha:

Dealer's stamp • Cachet du revendeur • Stempel van de handelaar
Händlerstempel • Timbro del rivenditore • Sello del distribuidor:

Date • Datum • Data • Fecha:

- For service checklists an additional technical information, please see our specialist dealers nearest to you. More information on our website at: www.vermeiren.com.
- Les listes des contrôles à effectuer lors des entretiens de même que toute autre information technique sont disponibles auprès de nos filiales. Pour de plus amples informations, consultez le site: www.vermeiren.fr.
- Servicelijsten en andere technische informatie kunt u aanvragen bij onze vestigingen. Meer informatie vindt u ook op: www.vermeiren.be.
- Servicechecklisten und weitere technische Informationen erhalten Sie über unsere Niederlassungen. Informationen unter: www.vermeiren.de, www.vermeiren.at, www.vermeiren.ch.
- Gli elenchi di controllo di manutenzione e ulteriori informazioni tecniche sono disponibili presso le nostre filiali. Per informazioni consultare il sito: www.vermeiren.com.
- Para un servicio de revisión o información técnica adicional, por favor, consulte a nuestros distribuidores especialistas más cercanos. Más información en nuestra página web: www.vermeiren.com.

Belgium

N.V. Vermeiren N.V.

Vermeirenplein 1 / 15
B-2920 Kalmthout
Tel: +32(0)3 620 20 20
Fax: +32(0)3 666 48 94
website: www.vermeiren.be
e-mail: info@vermeiren.be

France

Vermeiren France S.A.

Z. I., 5, Rue d'Ennevelin
F-59710 Avelin
Tel: +33(0)3 28 55 07 98
Fax: +33(0)3 20 90 28 89
website: www.vermeiren.fr
e-mail: info@vermeiren.fr

Italy

Reatime S.R.L.

Viale delle Industrie 5
I-20020 Arese MI
Tel: +39 02 99 77 07
Fax: +39 02 93 58 56 17
website: www.reatime.it
e-mail: info@reatime.it

Poland

Vermeiren Polska Sp. z o.o

ul. Łączna 1
PL-55-100 Trzebnica
Tel: +48(0)71 387 42 00
Fax: +48(0)71 387 05 74
website: www.vermeiren.pl
e-mail: info@vermeiren.pl

Spain

Vermeiren Iberica, S.L.

Trens Petits, 6. - Pol. Ind. Mas Xirgu.
17005 Girona
Tel: +34 902 48 72 72
Fax: +34 972 40 50 54
website: www.vermeiren.es
e-mail: info@vermeiren.es

Germany

Vermeiren Deutschland GmbH

Wahlerstraße 12 a
D-40472 Düsseldorf
Tel: +49(0)211 94 27 90
Fax: +49(0)211 65 36 00
website: www.vermeiren.de
e-mail: info@vermeiren.de

Austria

L. Vermeiren Ges. mbH

Winetzhammerstraße 10
A-4030 Linz
Tel: +43(0)732 37 13 66
Fax: +43(0)732 37 13 69
website: www.vermeiren.at
e-mail: info@vermeiren.at

Switzerland

Vermeiren Suisse S.A.

Hühnerhubelstraße 59
CH-3123 Belp
Tel: +41(0)31 818 40 95
Fax: +41(0)31 818 40 98
website: www.vermeiren.ch
e-mail: info@vermeiren.ch

The Netherlands

Vermeiren Nederland B.V.

Domstraat 50
NL-3864 PR Nijkerkerveen
Tel: +31(0)33 2536424
Fax: +31(0)33 2536517
website: www.vermeiren.com
e-mail: info@vermeiren.be

Czech Republic

Vermeiren ČR S.R.O.

Sezemická 2757/2 - VGP Park
193 00 Praha 9 - Horní Počernice
Tel: +420 731 653 639
Fax: +420 596 121 976
website: www.vermeiren.cz
e-mail: info@vermeiren.cz